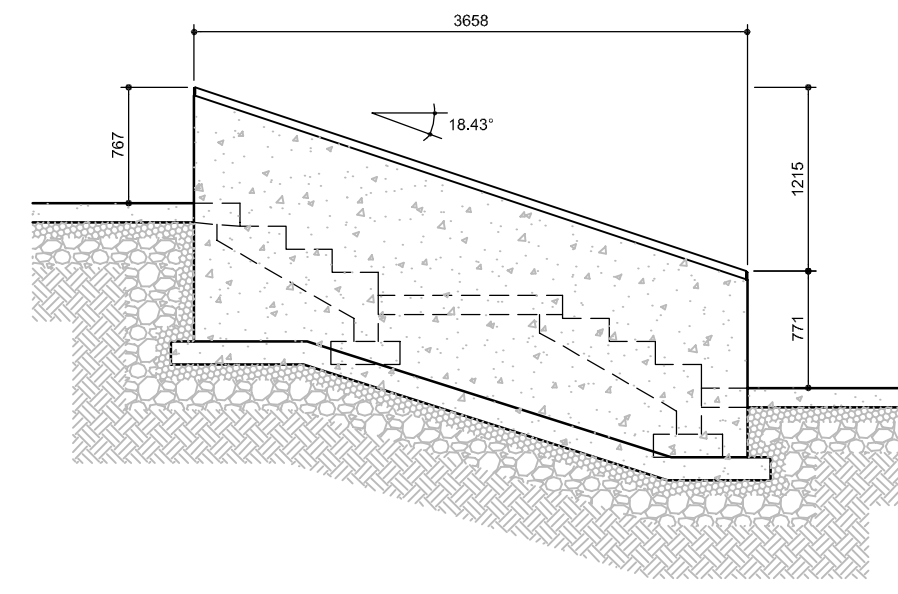
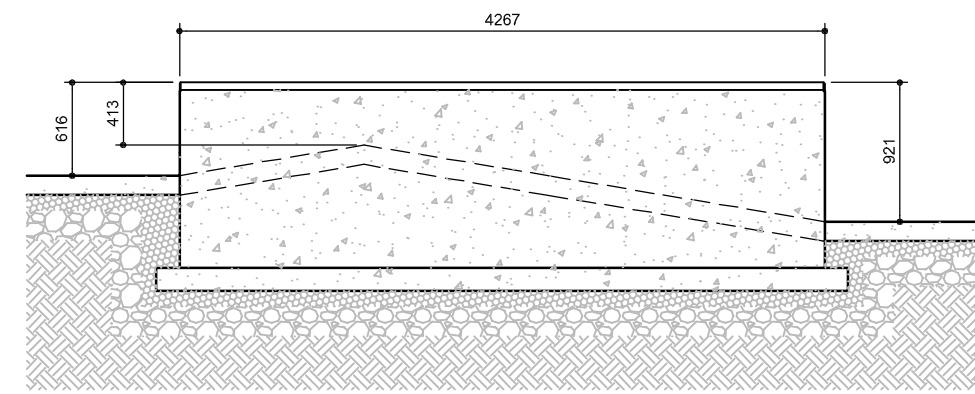


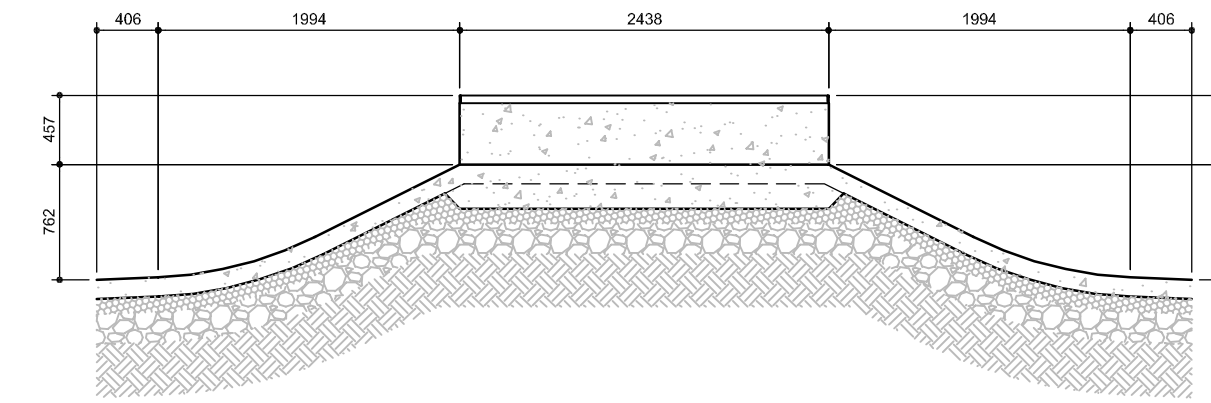
37 LEDGE 4
SCALE: 1:50



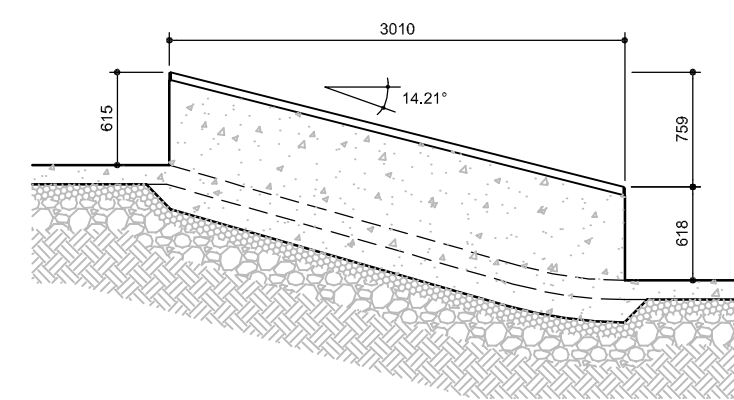
38 LEDGE 5
SCALE: 1:50



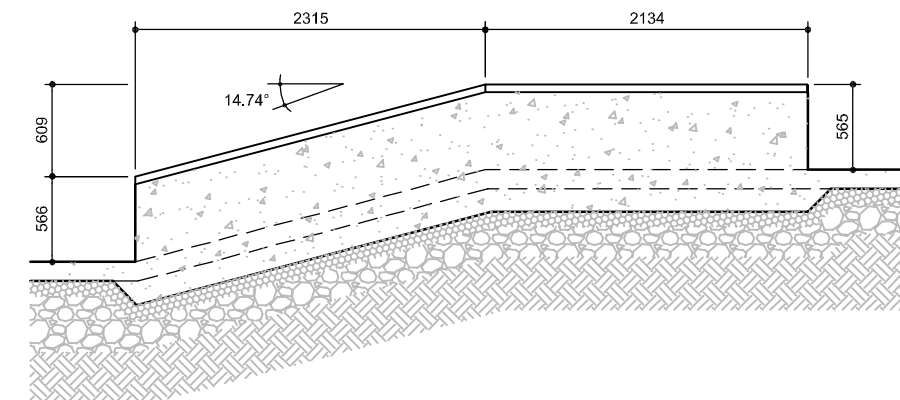
39 LEDGE 6
SCALE: 1:50



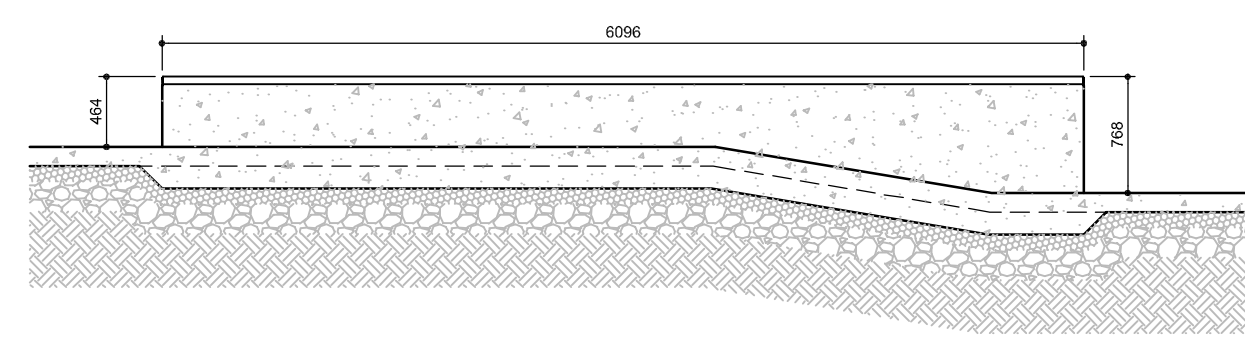
40 LEDGE 7
SCALE: 1:50



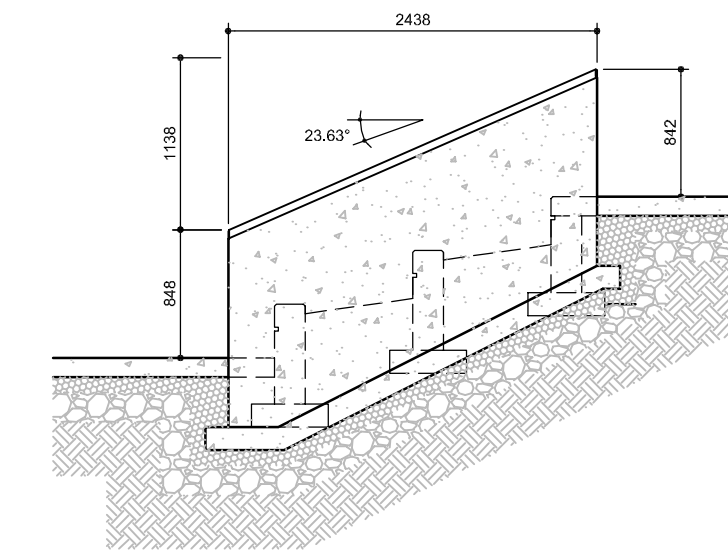
41 LEDGE 8
SCALE: 1:50



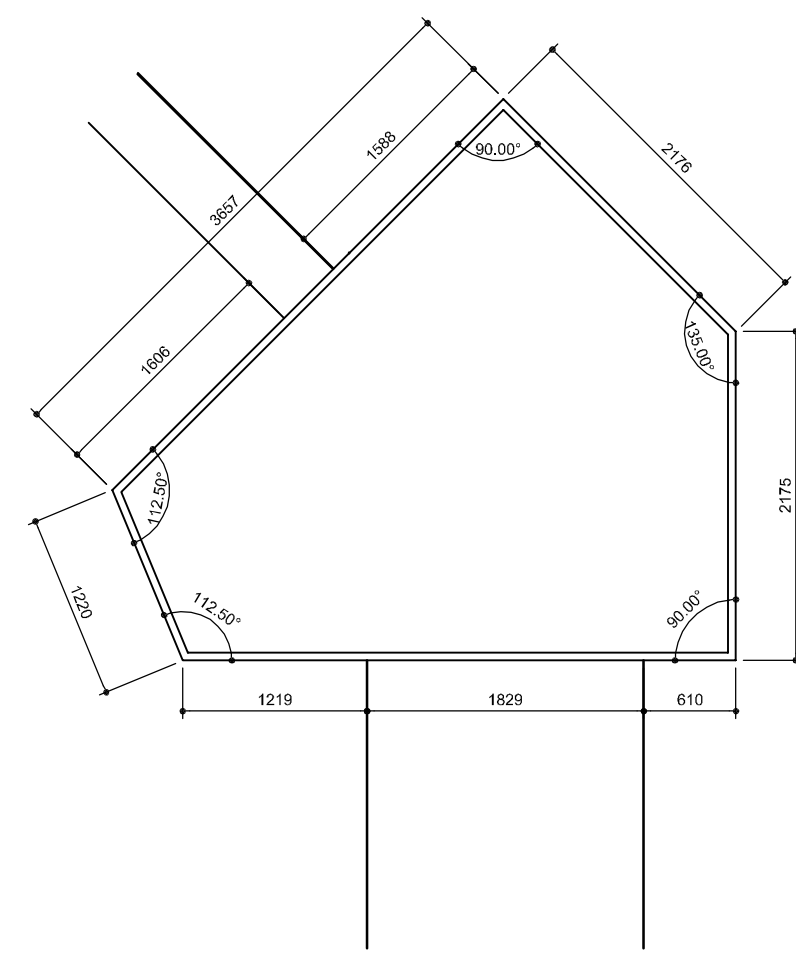
42 LEDGE 9
SCALE: 1:50



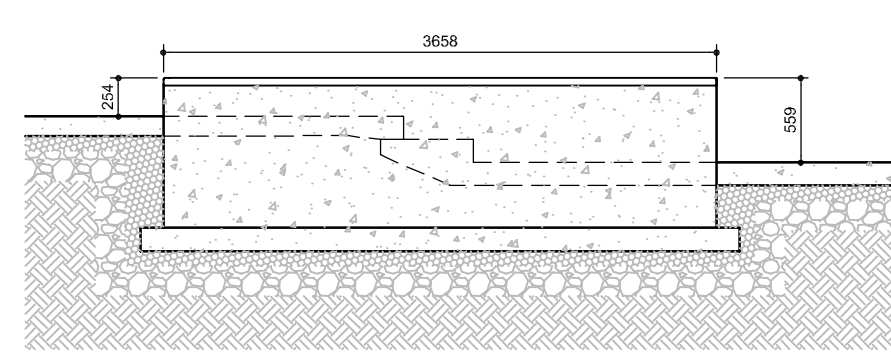
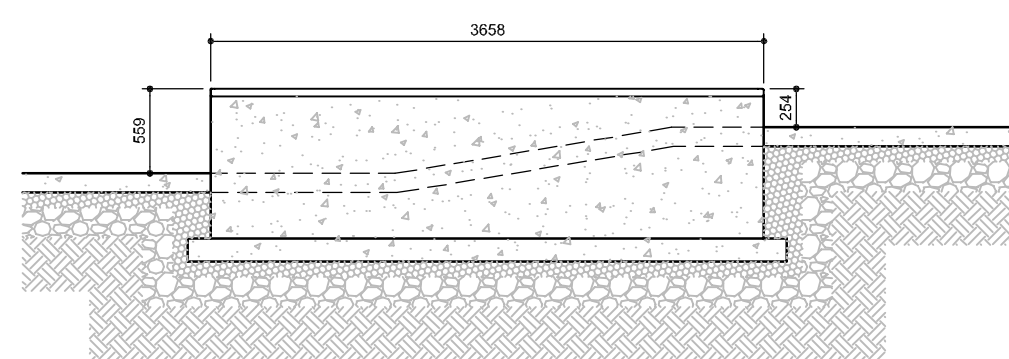
43 LEDGE 10
SCALE: 1:50



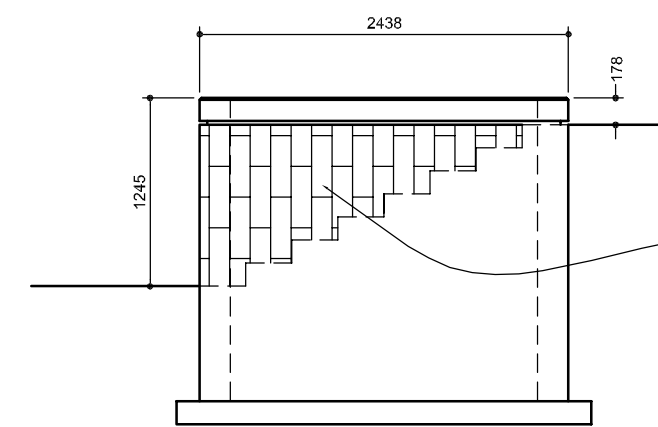
44 LEDGE 11
SCALE: 1:50



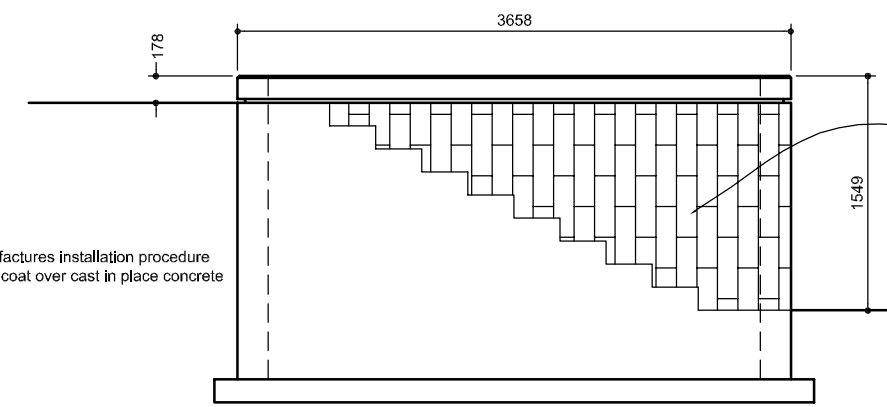
45 LEDGE 12
SCALE: 1:50



46 LEDGE 13
SCALE: 1:50



Black Clay Tile "Endblock-Clay"
3/4" Thick manganese ironspolite
7" x 3 1/2" - wire cut as per manufacturers installation procedure
for film bed system with leveling coat over cast in place concrete



Black Clay Tile "Endblock-Clay"
3/4" Thick manganese ironspolite
7" x 3 1/2" - wire cut as per manufacturers installation procedure
for film bed system with leveling coat over cast in place concrete

van der Zalm + associates inc.
Landscape Architecture * Urban Design * Parks & Recreation

Suite 2200 1177 W Hastings St. P 604.882.0024
Vancouver, British Columbia F 604.882.0042
V6E 2K3 info@www.vdz.ca

The Warehouse Design Studio
8938 192 Street P 604.882.0024
Surrey, British Columbia F 604.882.0042
V4N 3V8 info@www.vdz.ca

NOTES

DETAIL HATCH LEGEND

[Hatch]	CONCRETE
[Hatch]	100mm of 19mm minus Strutal Base 'Granular A'
[Hatch]	min. 100mm of structural subbase Granular 'B'
[Hatch]	native earth compacted to 98% mpd

* Refer to structural drawings

© Copyright reserved. This drawing and design is the property of van der Zalm + associates inc., and may not be reproduced or used for other projects without permission.

No.	Description	Date
0.	Issue for Tender	Mar. 03/06

REVISIONS-DRAWING ISSUE

CONTRACTOR SHALL CHECK ALL DIMENSIONS ON THE WORK AND REPORT ANY DISCREPANCY TO THE CONTRACT ADMINISTRATOR BEFORE PROCEEDING. ALL DRAWINGS AND SPECIFICATIONS ARE THE EXCLUSIVE PROPERTY OF THE CONTRACT ADMINISTRATOR AND MUST BE RETURNED AT THE COMPLETION OF THE WORK.

PROJECT:
Komenda Memorial Park

LOCATION:
Winnipeg, Man.

DRAWN ML	
CHECKED MV	
APPROVED MV	CAD FILE DETAILS 1
SCALE 1:50	DATE Sept. 11/05

DETAILS 4

DRAWING TITLE

PROJECT NO.
PR2005-37

DRAWING NO.
SK-D-5