



van der Zalm + associates inc.

Landscape Architecture * Urban Design * Parks & Recreation

Suite 2200 1177 W Hastings St. P 604.882.0024
Vancouver, British Columbia F 604.882.0042
V6E 2K3 info@www.vdz.ca

The Warehouse Design Studio P 604.882.0024
8938 192 Street F 604.882.0042
Surrey, British Columbia info@www.vdz.ca
V4N 3V8

NOTES

DETAIL HATCH LEGEND

	CONCRETE
	100mm of 19mm minus Strutal Base 'Granular A'
	min. 100mm of structural subbase Granular 'B'
	native earth compacted to 98% mpd

* Refer to structural drawings

Copyright reserved. This drawing and design is the property of van der Zalm + associates inc. and may not be reproduced or used for other projects without permission.

No.	Description	Date
0.	Issue for Tender	Mar. 03/06
REVISIONS-DRAWING ISSUE		

CONTRACTOR SHALL CHECK ALL DIMENSIONS ON THE WORK AND REPORT ANY DISCREPANCY TO THE CONTRACT ADMINISTRATOR BEFORE PROCEEDING. ALL DRAWINGS AND SPECIFICATIONS ARE THE EXCLUSIVE PROPERTY OF THE CONTRACT ADMINISTRATOR AND MUST BE RETURNED AT THE COMPLETION OF THE WORK.

PROJECT:

Komenda Memorial Park

LOCATION:

Winnipeg, Man.

DRAWN

ML

CHECKED

MV

APPROVED

MV

SCALE

1 : 50

CAD FILE

DETAILS 1

DATE

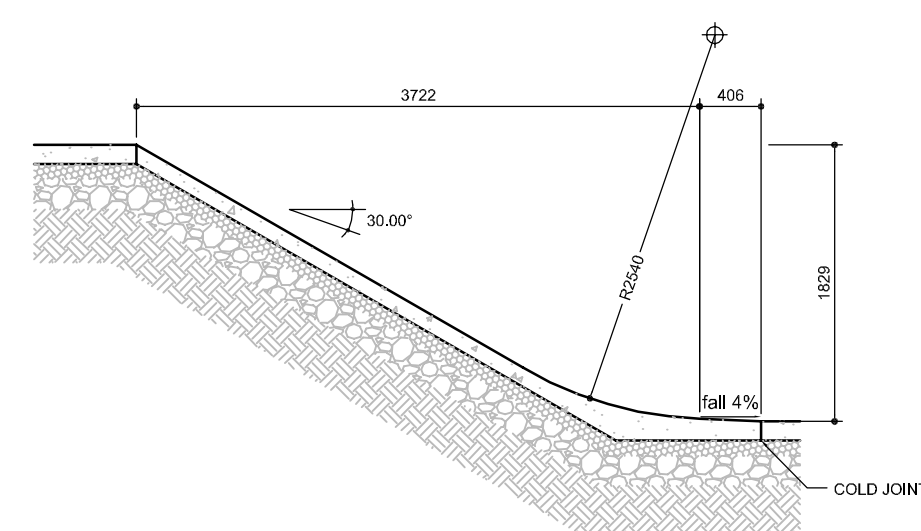
Sept. 11/05

DRAWING TITLE

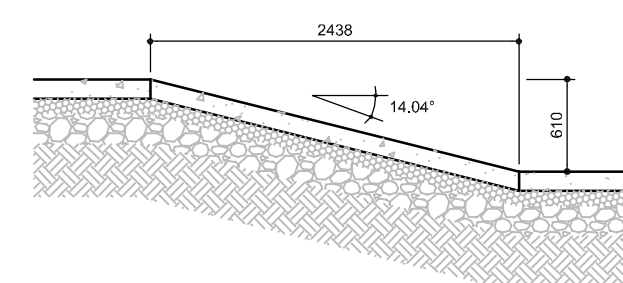
PROJECT NO. PR2005-37

DRAWING NO. SK-D-3

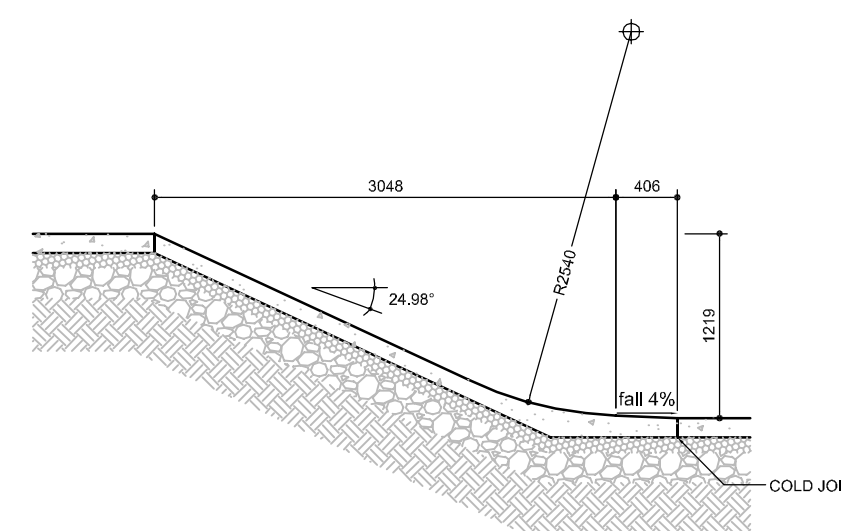
DETAILS 2



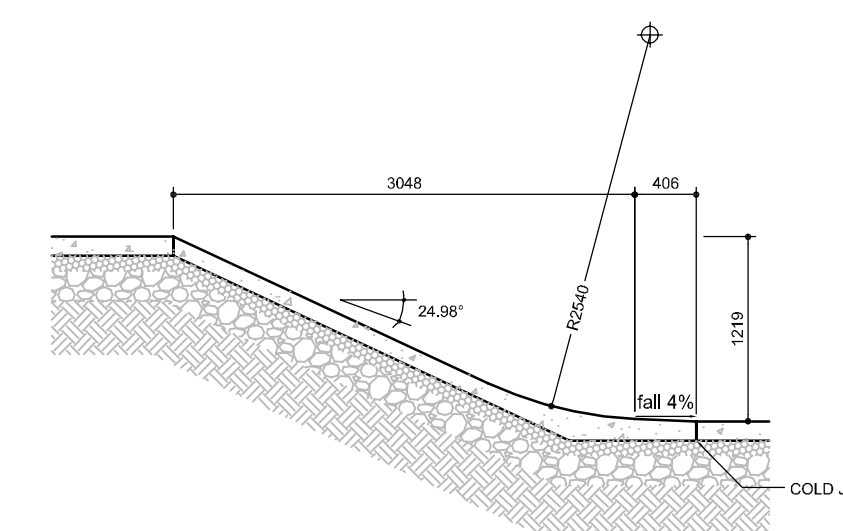
12 BANK 3
SCALE: 1 : 50



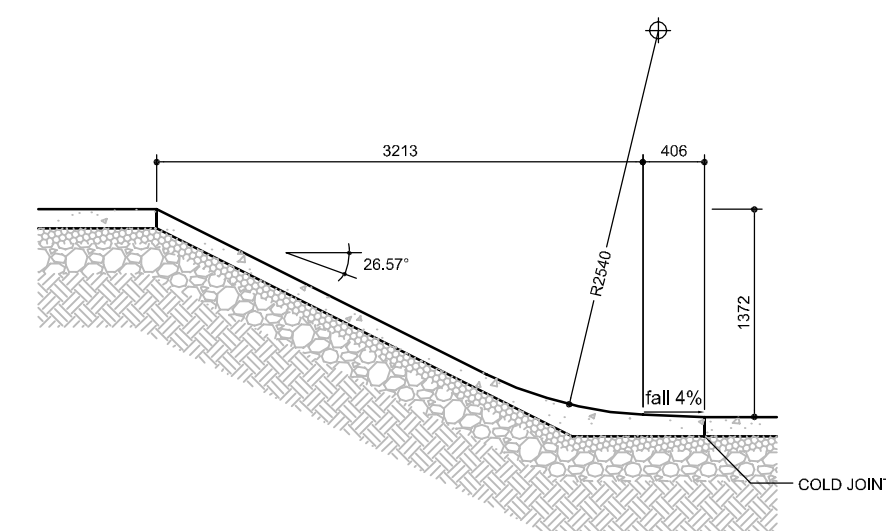
13 BANK 4
SCALE: 1 : 50



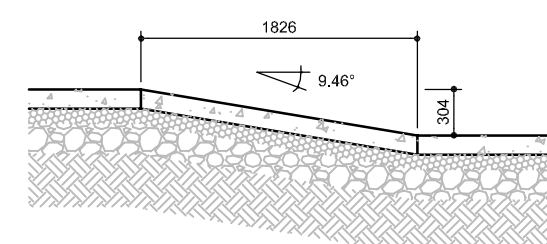
14 BANK 5
SCALE: 1 : 50



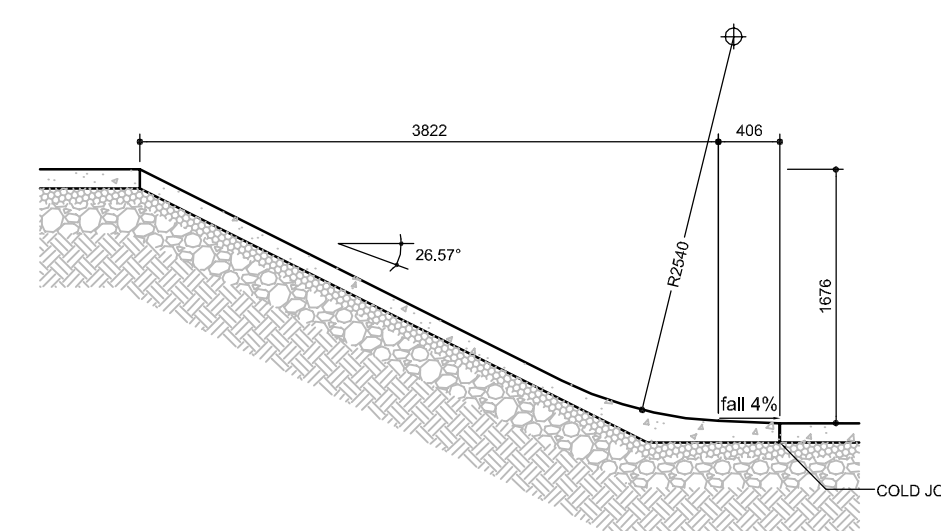
15 BANK 6
SCALE: 1 : 50



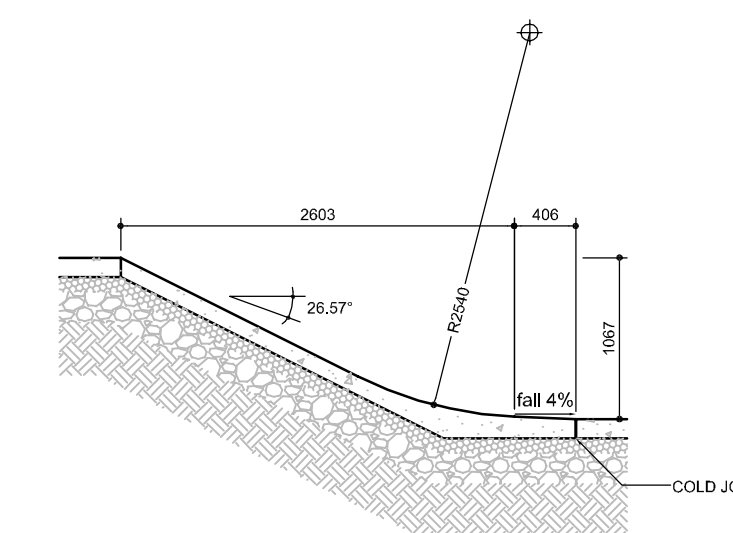
16 BANK 7
SCALE: 1 : 50



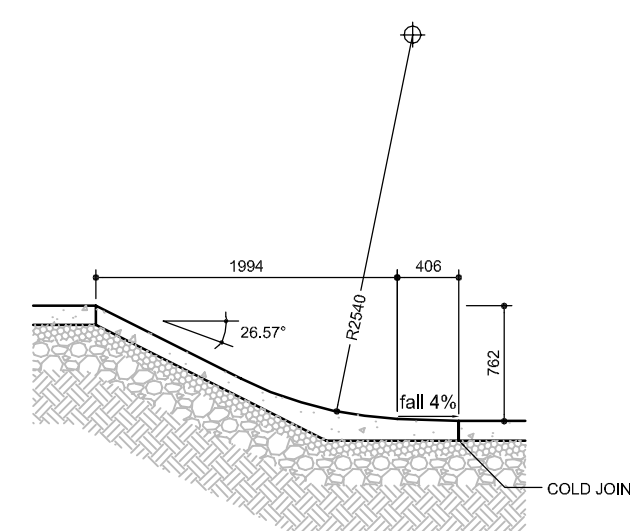
17 BANK 8
SCALE: 1 : 50



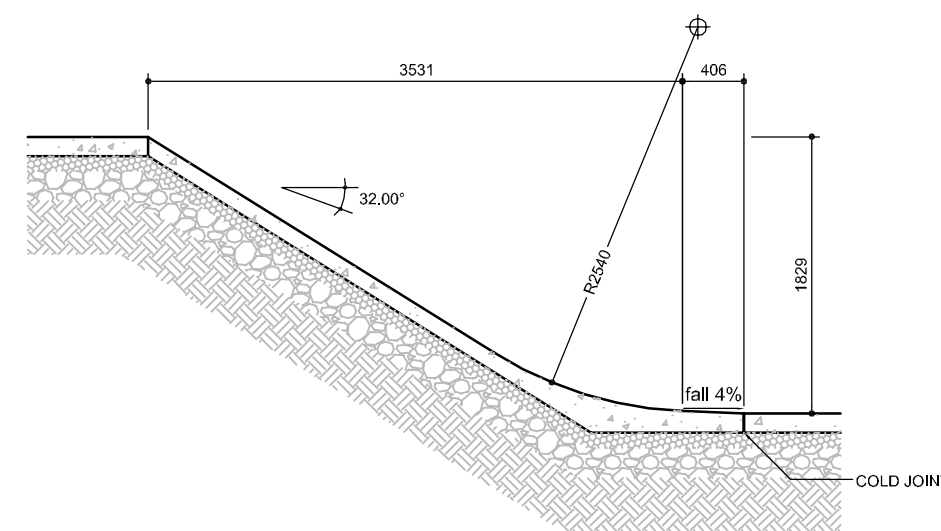
18 BANK 9
SCALE: 1 : 50



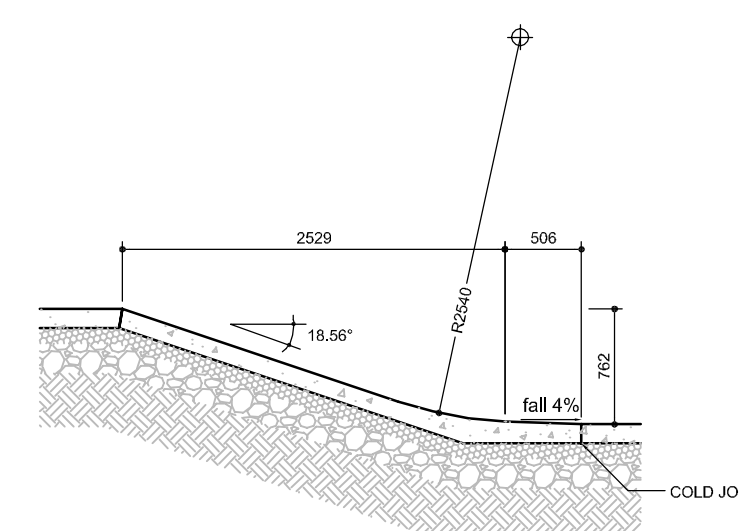
19 BANK 10
SCALE: 1 : 50



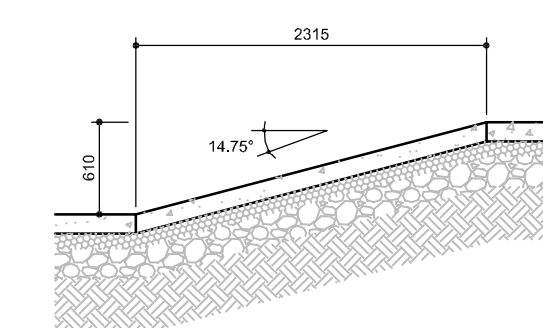
20 BANK 11
SCALE: 1 : 50



21 BANK 12
SCALE: 1 : 50



22 BANK 13
SCALE: 1 : 50



23 BANK 14
SCALE: 1 : 50