

Notes:



In many instances throughout the skatepark - elevation, and degree of slope between banks, transition slopes, and vertical elements can vary. Where indicated on plan, provide custom concrete blending for smooth transitions. These areas typically require greater hand work and quality control to ensure that blends do not result in irregular concrete surface conditions.

\*REFER TO DETAILS TO CONFIRM HAND RAIL DIMENSIONS

All steel grinding edges and steel coping shall be painted with a zinc-rich primer. All welds and site work shall be repainted at completion of work to ensure protection from corrosion.

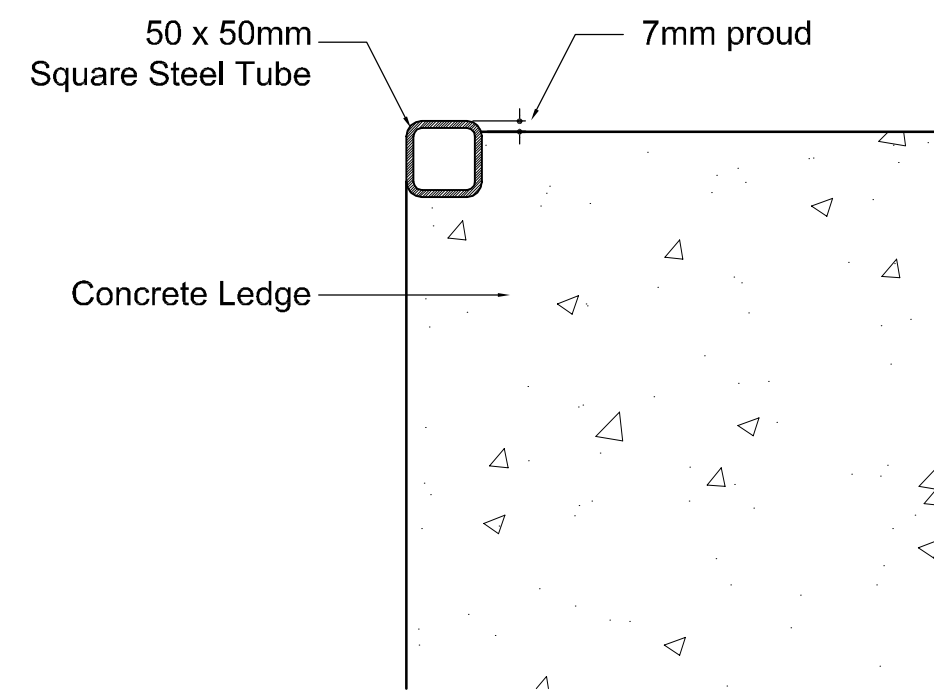
SST: square steel tube 50 x 50mm 3/16" wall

SST-75: square steel tube 75 x75mm 3/16" wall

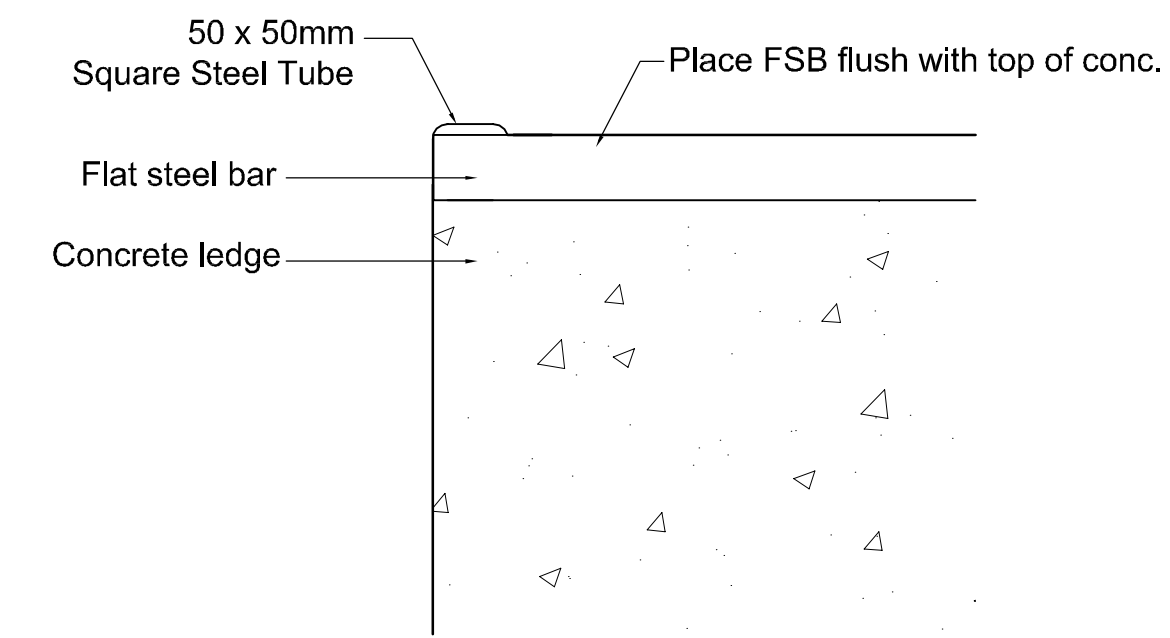
RST: 60mmØ round steel tube: schedule 80 ASTM - A53 pipe

CP: coping 60mm Ø: schedule 80 ASTM - A53 pipe

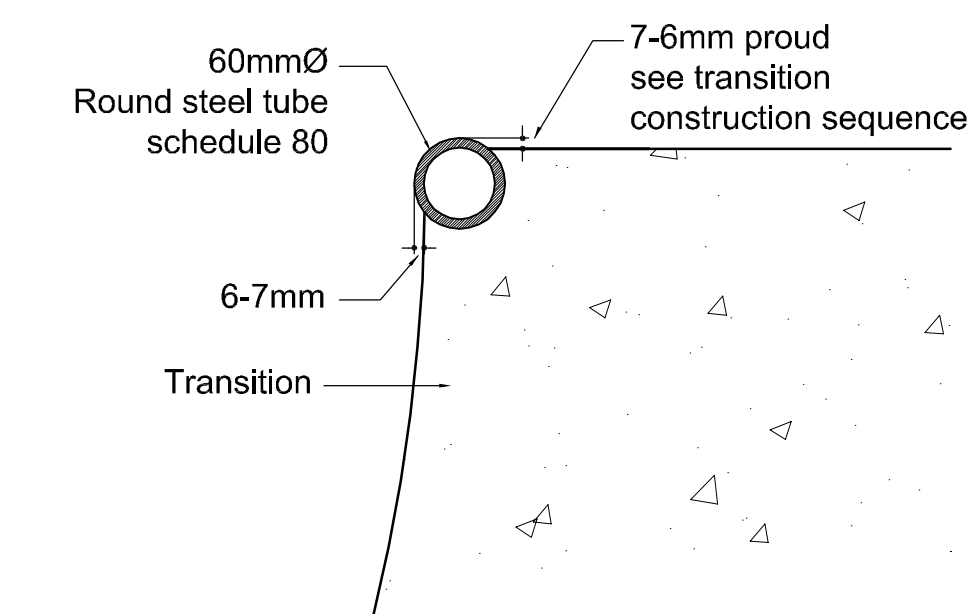
FSB: flat steel bar 75 x 6mm



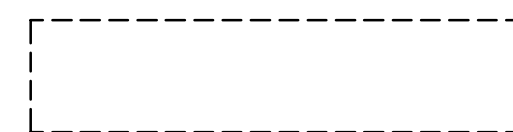
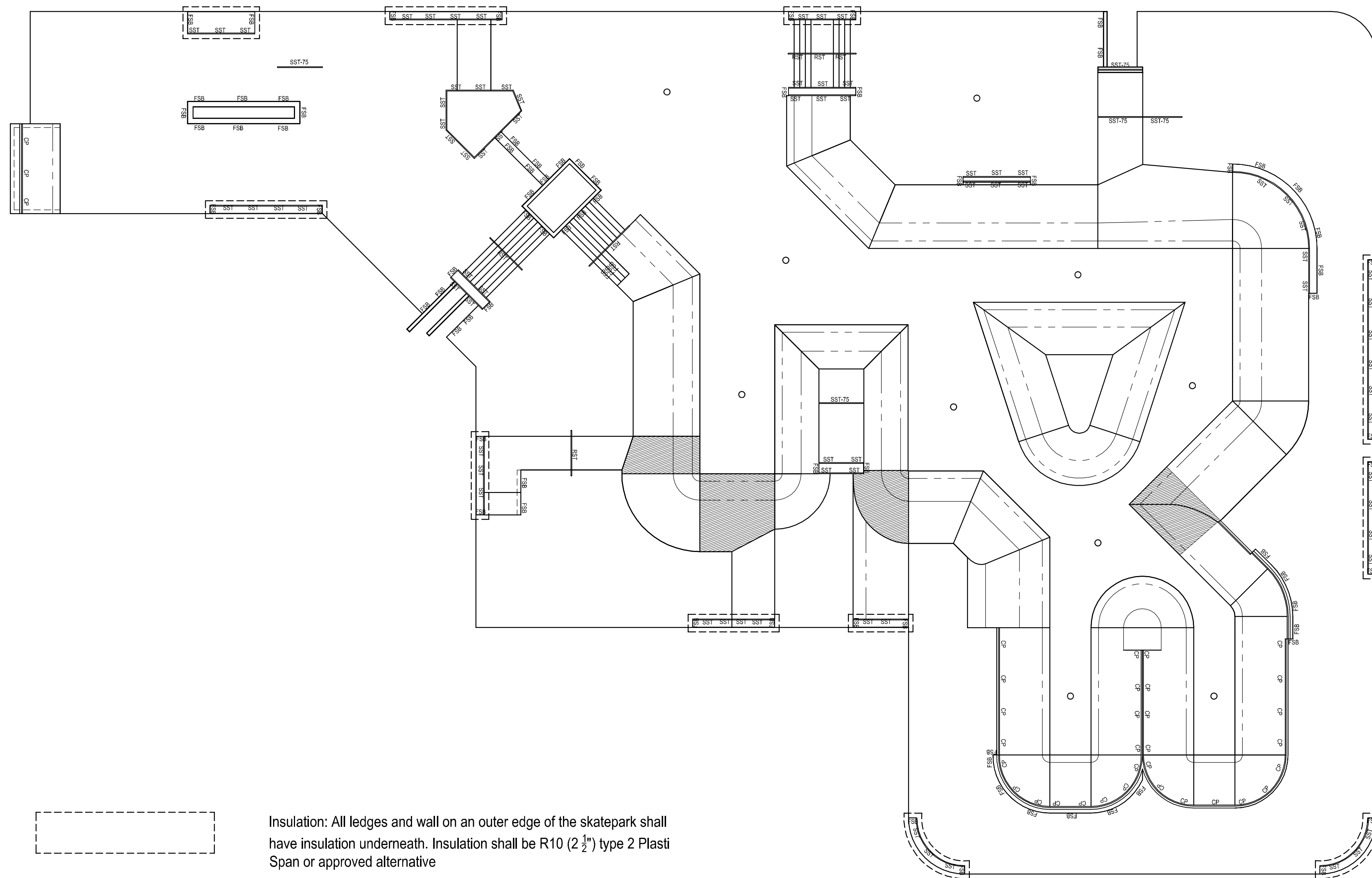
**1** Square Steel Tube Placement  
SCALE: 1:5



**2** Flat Steel Bar Placement  
SCALE: 1:5



**3** Coping Placement  
SCALE: 1:5



Insulation: All ledges and wall on an outer edge of the skatepark shall have insulation underneath. Insulation shall be R10 (2 1/2") type 2 Plasti Span or approved alternative



**van der Zalm + associates inc.**  
Landscape Architecture \* Urban Design \* Parks & Recreation  
Suite 2200 1177 W Hastings St. P 604.882.0024  
Vancouver, British Columbia F 604.882.0042  
V6E 2K3 info@www.vdz.ca

The Warehouse Design Studio  
8938 192 Street P 604.882.0024  
Surrey, British Columbia F 604.882.0042  
VAN 3V6B info@www.vdz.ca

NOTES

Copyright reserved. This drawing and design is the property of van der Zalm + associates inc., and may not be reproduced or used for other projects without permission.

No.	Description	Date
0.	Issue for Tender	Mar. 03/06

REVISIONS-DRAWING ISSUE

CONTRACTOR SHALL CHECK ALL DIMENSIONS ON THE WORK AND REPORT ANY DISCREPANCY TO THE CONTRACT ADMINISTRATOR BEFORE PROCEEDING. ALL DRAWINGS AND SPECIFICATIONS ARE THE EXCLUSIVE PROPERTY OF THE CONTRACT ADMINISTRATOR AND MUST BE RETURNED AT THE COMPLETION OF THE WORK.

PROJECT:

**Komenda Memorial Park**

LOCATION:

**Winnipeg, Man.**

DRAWN

**ML**

CHECKED

**MV**

APPROVED

**MV**

CAD FILE  
**STEEL & BLEND**

SCALE

**1 : 150**

DATE

**Sept. 11/05**

**STEEL AND BLEND AREAS**

DRAWING TITLE

PROJECT NO.  
**PR2005-37**

DRAWING NO.  
**SK - 7**