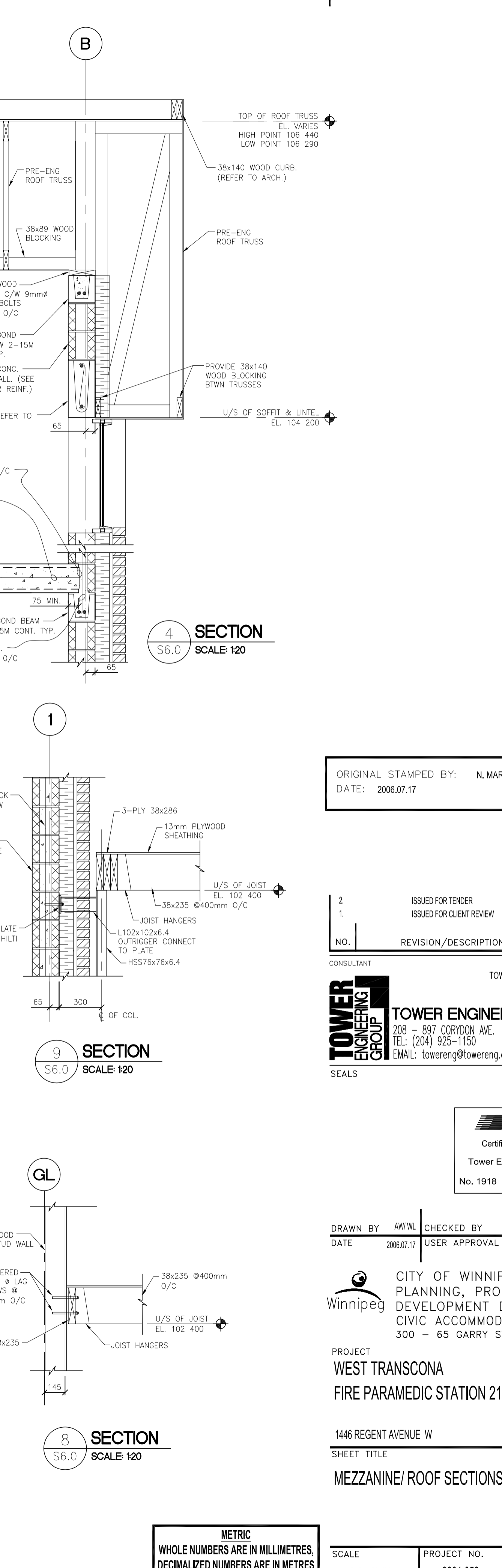
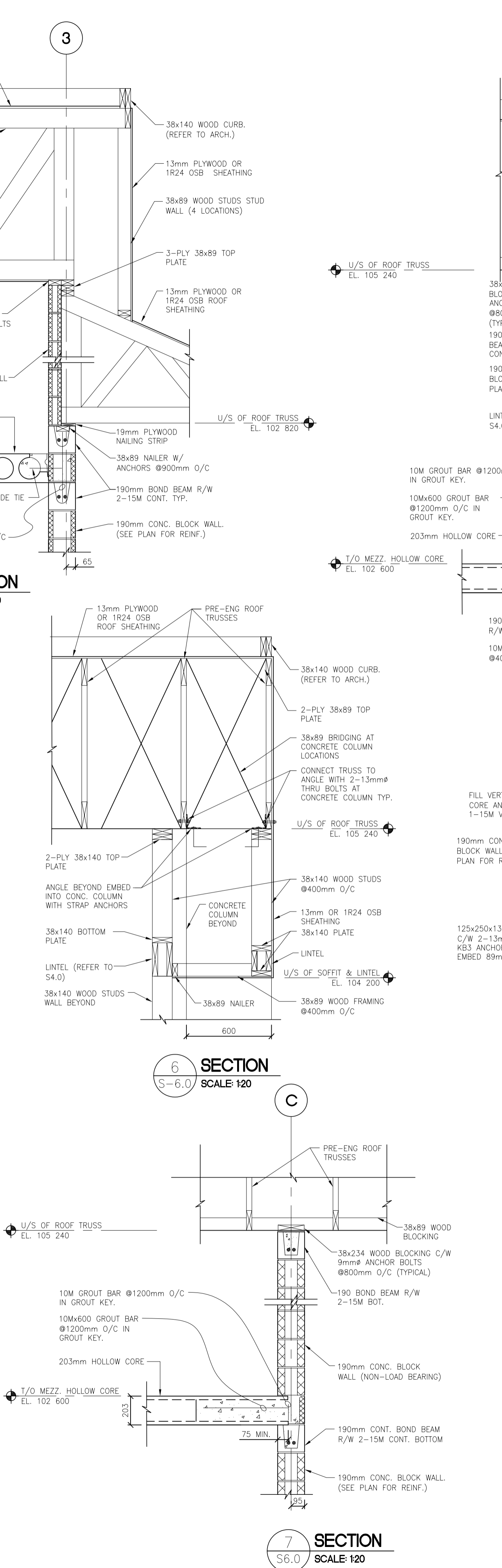
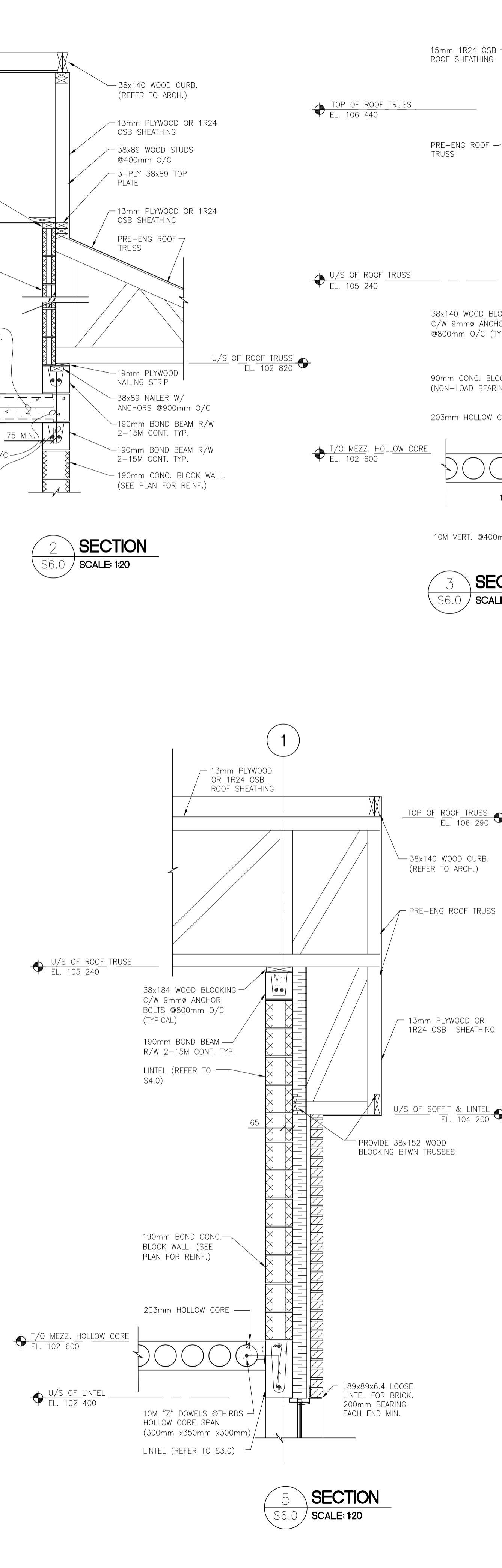
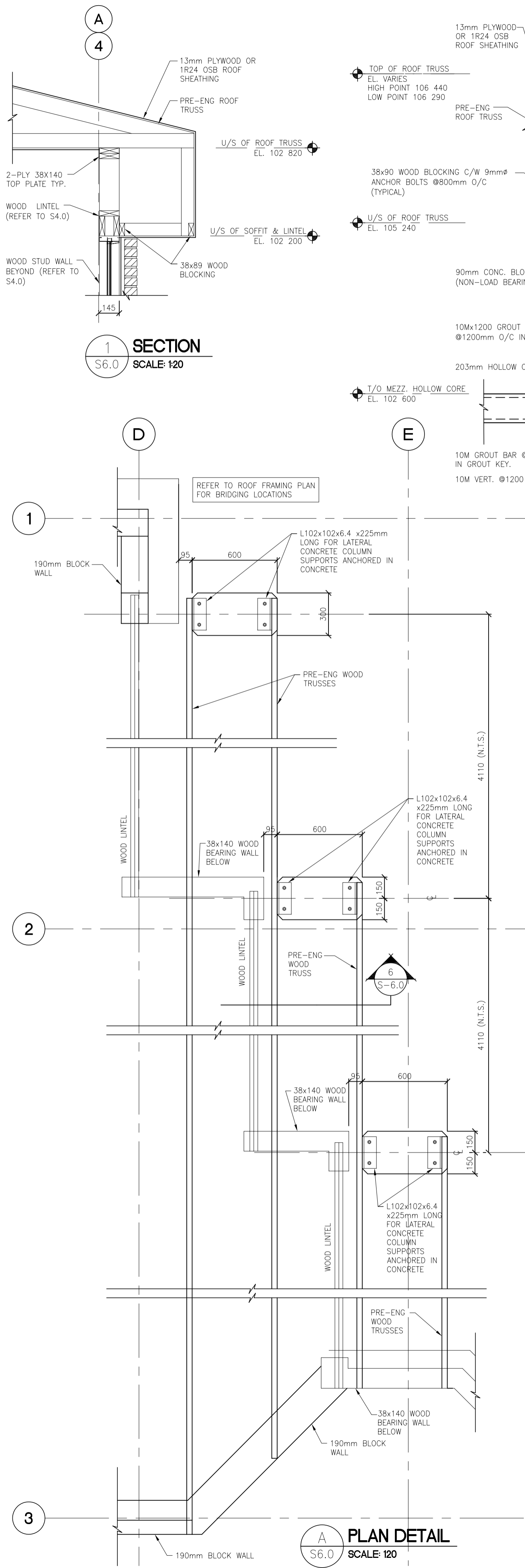


FILE NAME: 6079-S06.0.DWG  
 DATE: 2006.07.17  
 DESCRIPTION: MEZZANINE/ROOF SECTIONS  
 PROJECT No.: 2004-058  
 ADDRESS: 1446 REGENT AVENUE W



NOTES :

ORIGINAL STAMPED BY: N. MARTINEZ, P. ENG.  
 DATE: 2006.07.17

NO.	REVISION/DESCRIPTION	BY	DATE
2	ISSUED FOR TENDER	NM	JULY 17/06
1	ISSUED FOR CLIENT REVIEW	NM	JUNE 26/06

CONSULTANT: TOWER ENGINEERING GROUP  
 TOWER PROJECT NO.: 6079  
 TOWER ENGINEERING GROUP  
 208 - 897 CORYDON AVE. WINNIPEG, MB R3M 0W7  
 TEL: (204) 925-1150 FAX: (204) 925-1155  
 EMAIL: towereng@towereng.ca WEB: www.towereng.ca



DRAWN BY	AW/W	CHECKED BY	APPROVED
DATE	2006.07.17	USER APPROVAL	

CITY OF WINNIPEG  
 PLANNING, PROPERTY & DEVELOPMENT DEPARTMENT  
 CIVIC ACCOMMODATIONS DIVISION  
 300 - 65 GARRY ST. R3C 4K4

PROJECT: WEST TRANSCONA  
 FIRE PARAMEDIC STATION 21

1446 REGENT AVENUE W  
 SHEET TITLE: MEZZANINE/ ROOF SECTIONS

METRIC  
 WHOLE NUMBERS ARE IN MILLIMETRES,  
 DECIMALIZED NUMBERS ARE IN METRES

SCALE	PROJECT NO.	SHEET NO.
AS SHOWN	2004-058	S6.0

DRAWING SHEET SIZE: A1 (841mm x 594mm) PLOT 1:1