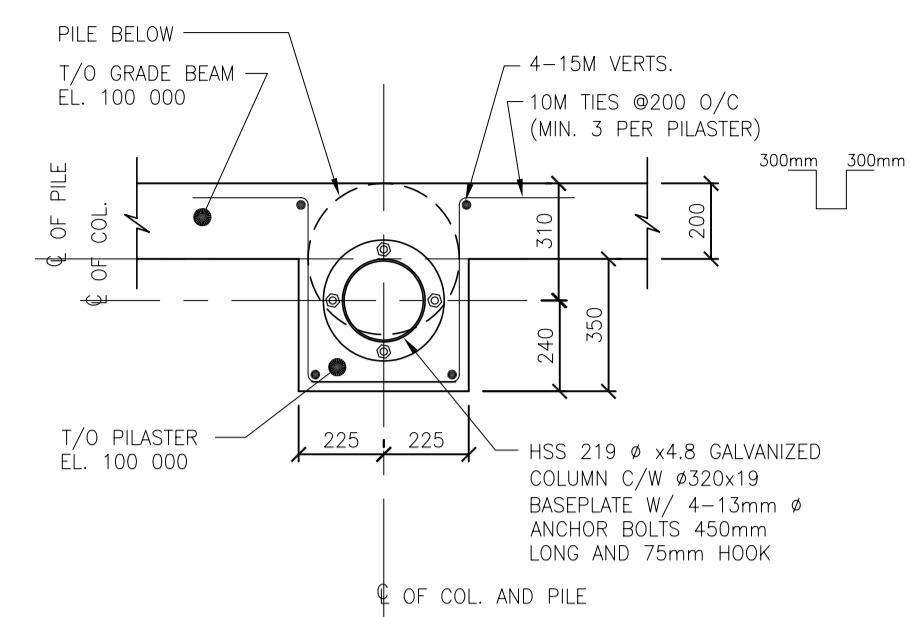
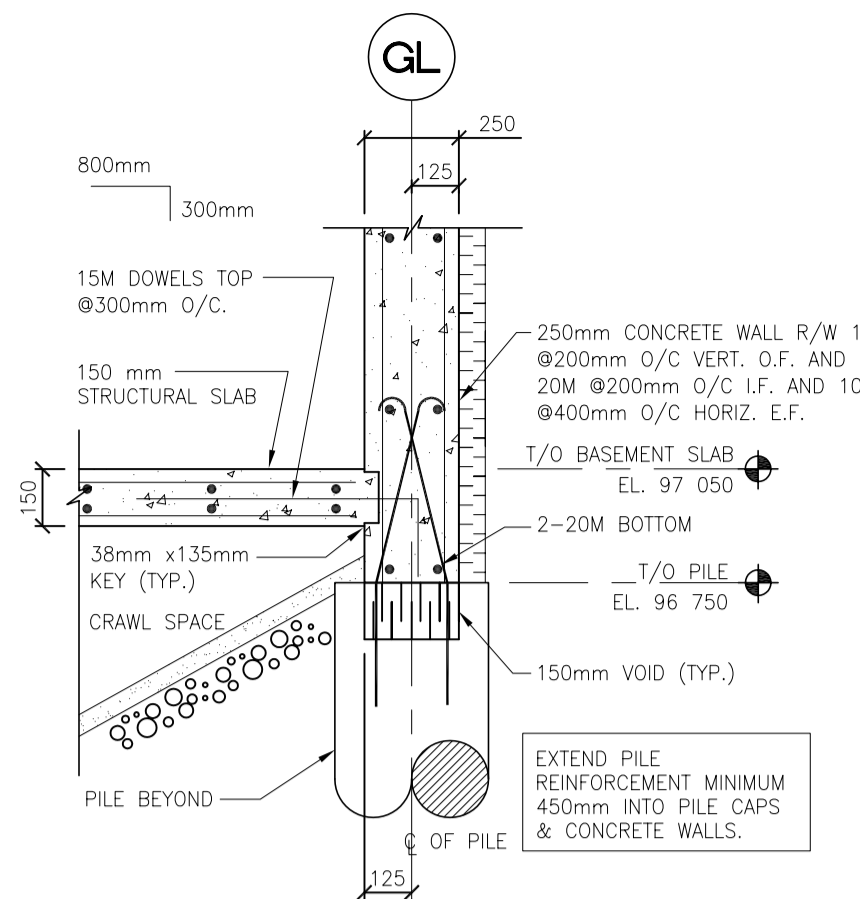


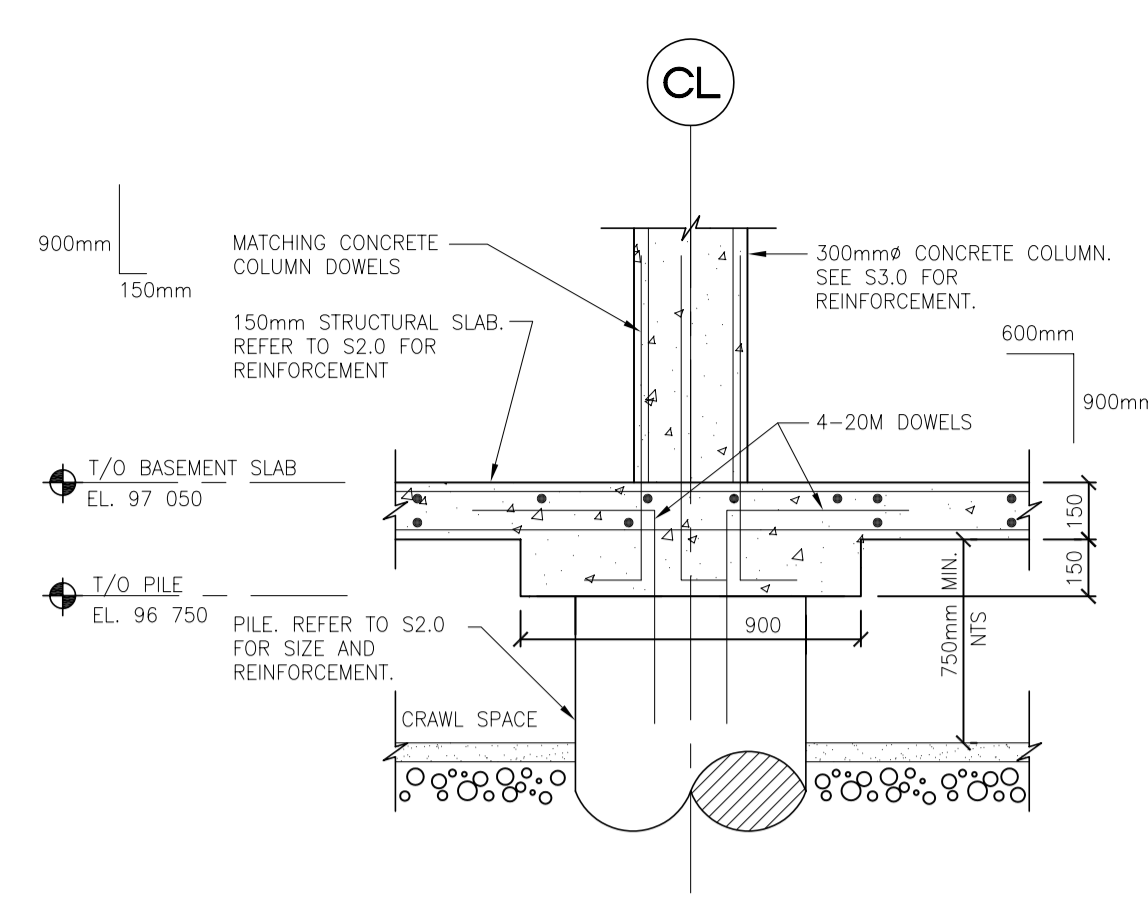
DETAIL 'A'
S5.0 SCALE: 120



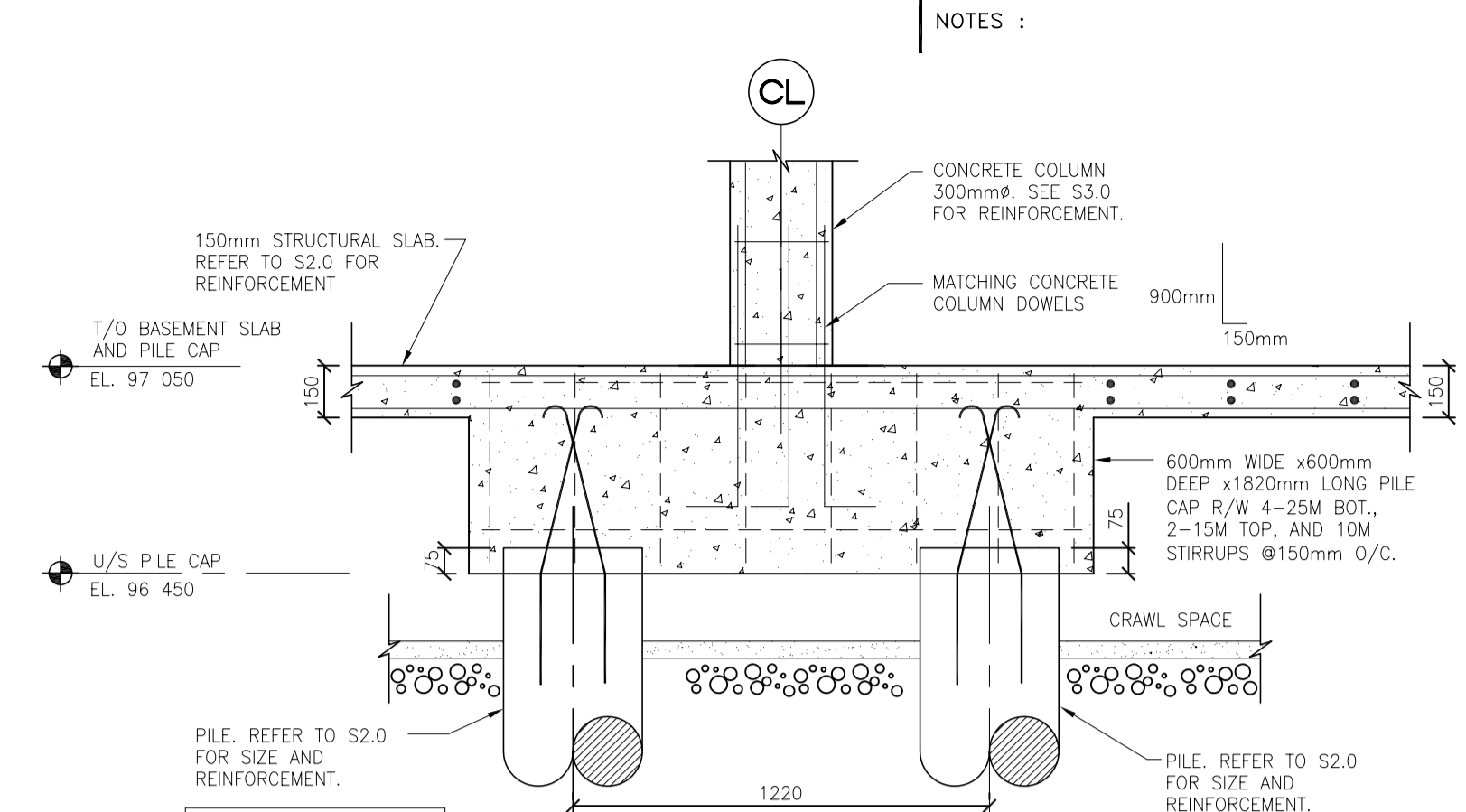
DETAIL 'C'
S5.0 SCALE: 120



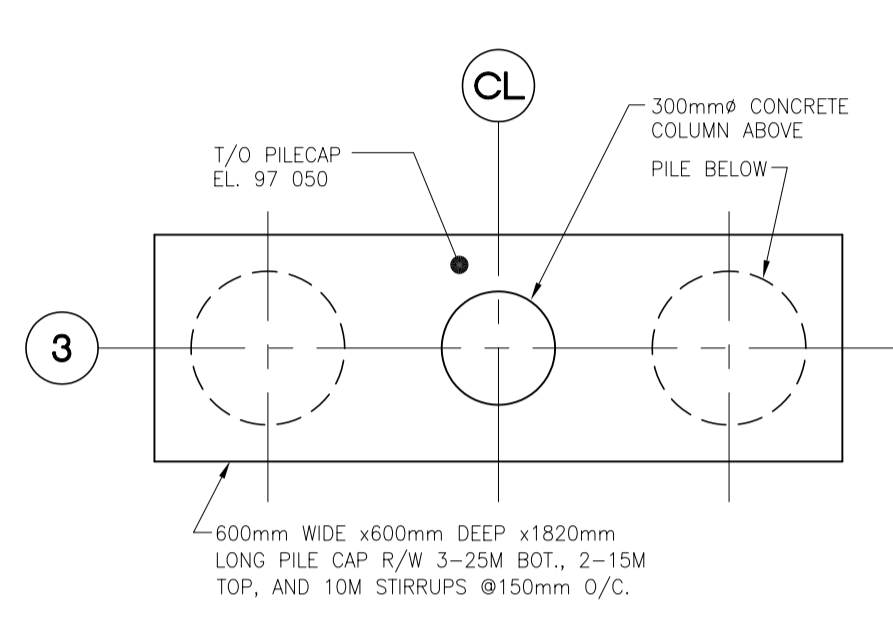
SECTION 1
S5.0 SCALE: 120



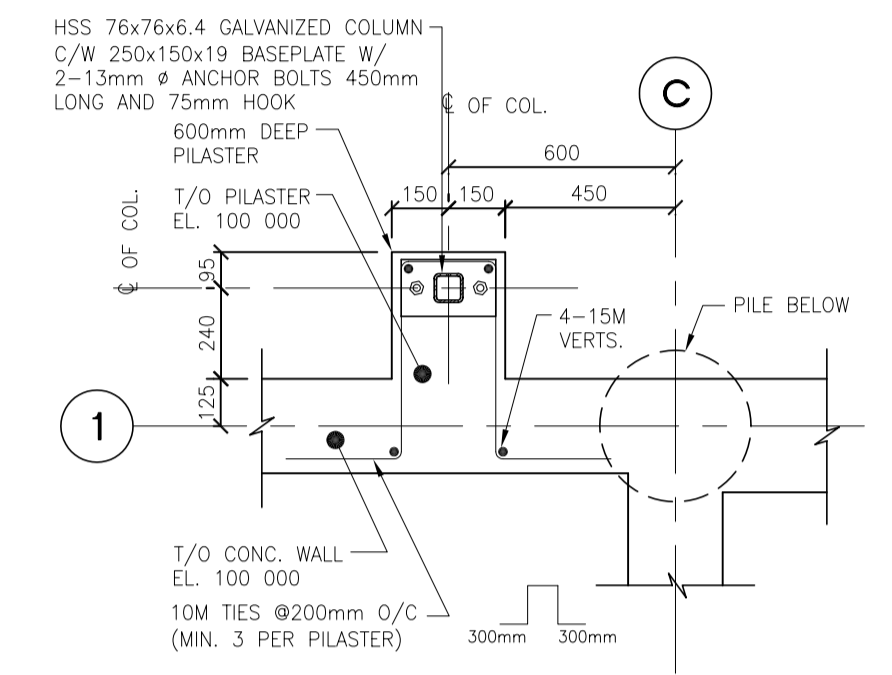
SECTION 3
S5.0 SCALE: 120



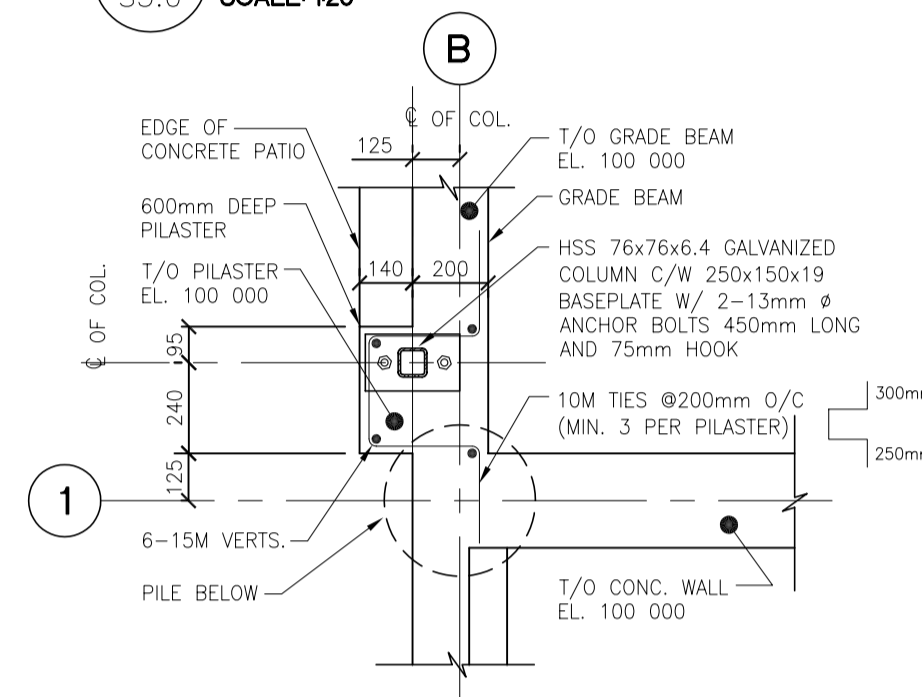
SECTION 4
S5.0 SCALE: 120



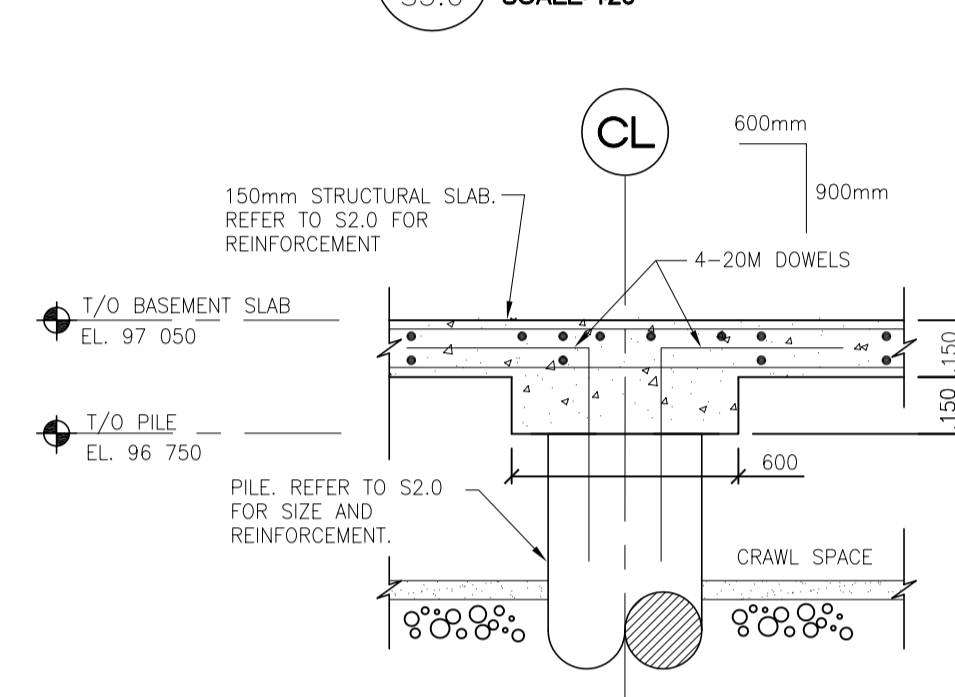
DETAIL 'B'
S5.0 SCALE: 120



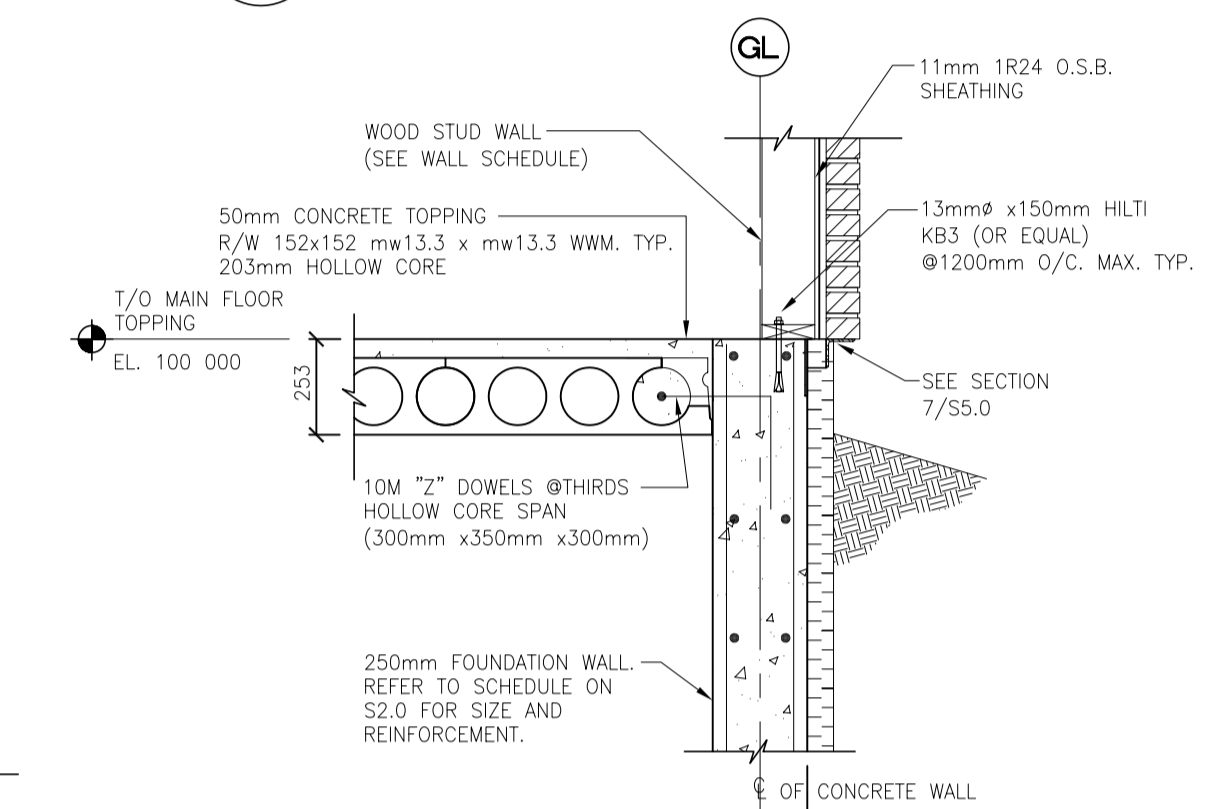
DETAIL 'D'
S5.0 SCALE: 120



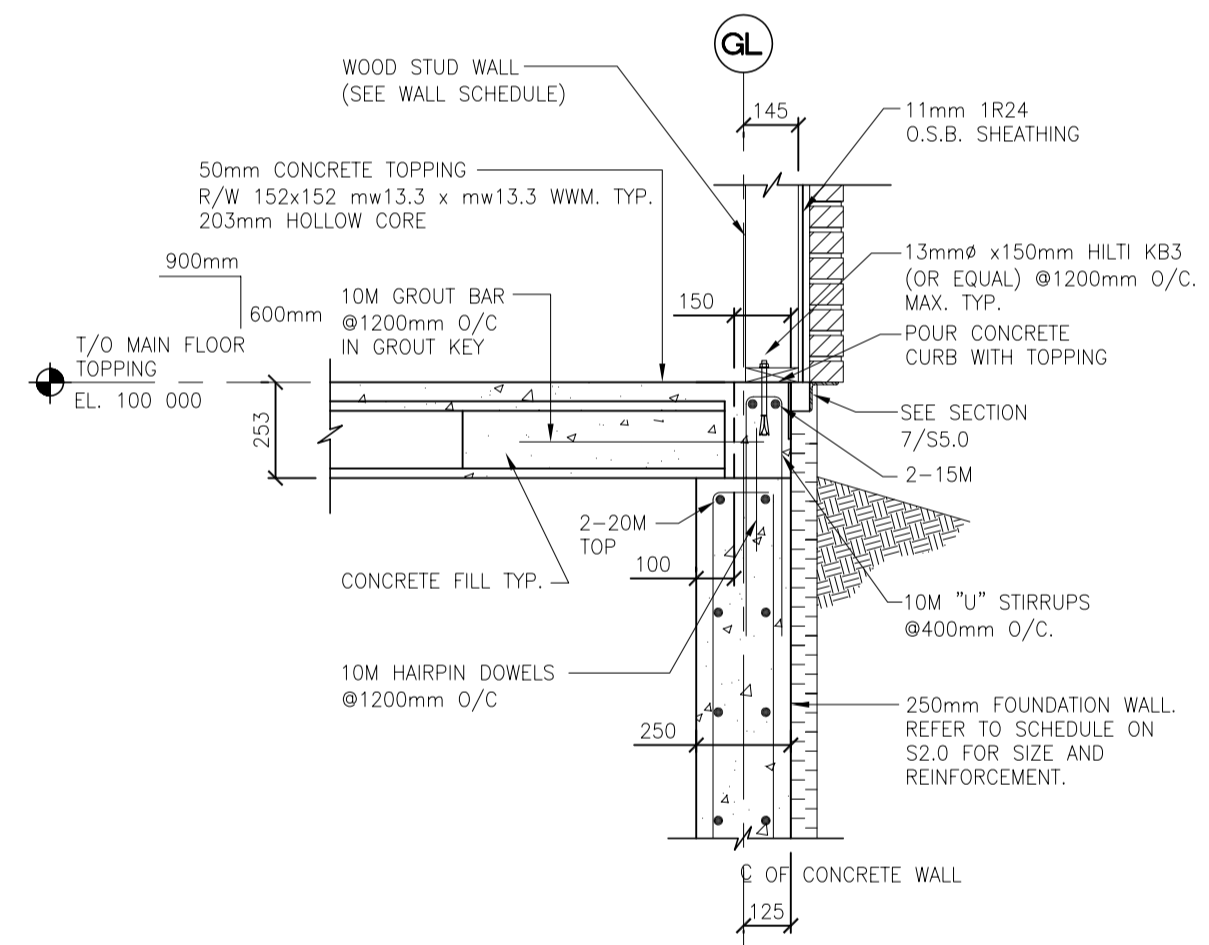
DETAIL 'E'
S5.0 SCALE: 120



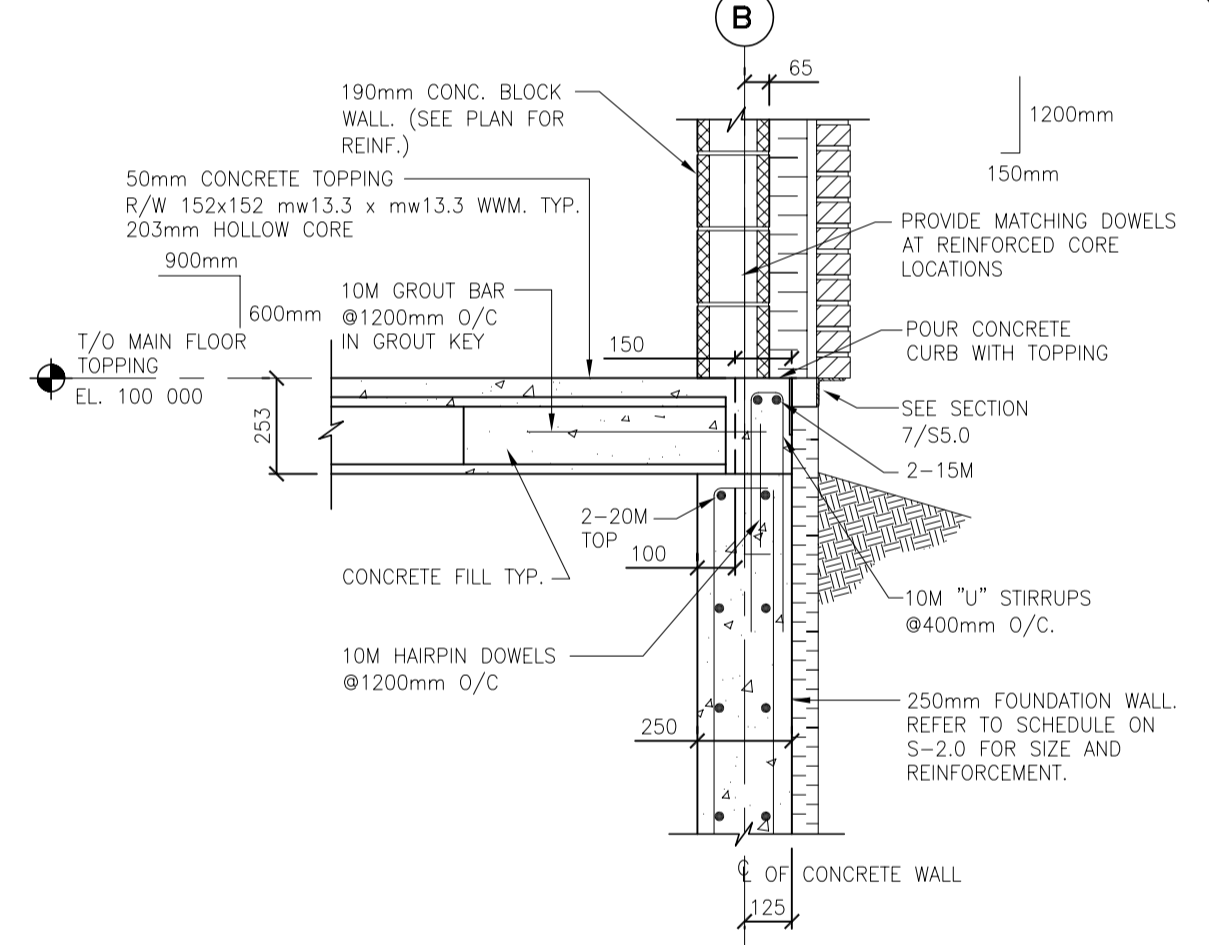
SECTION 2
S5.0 SCALE: 120



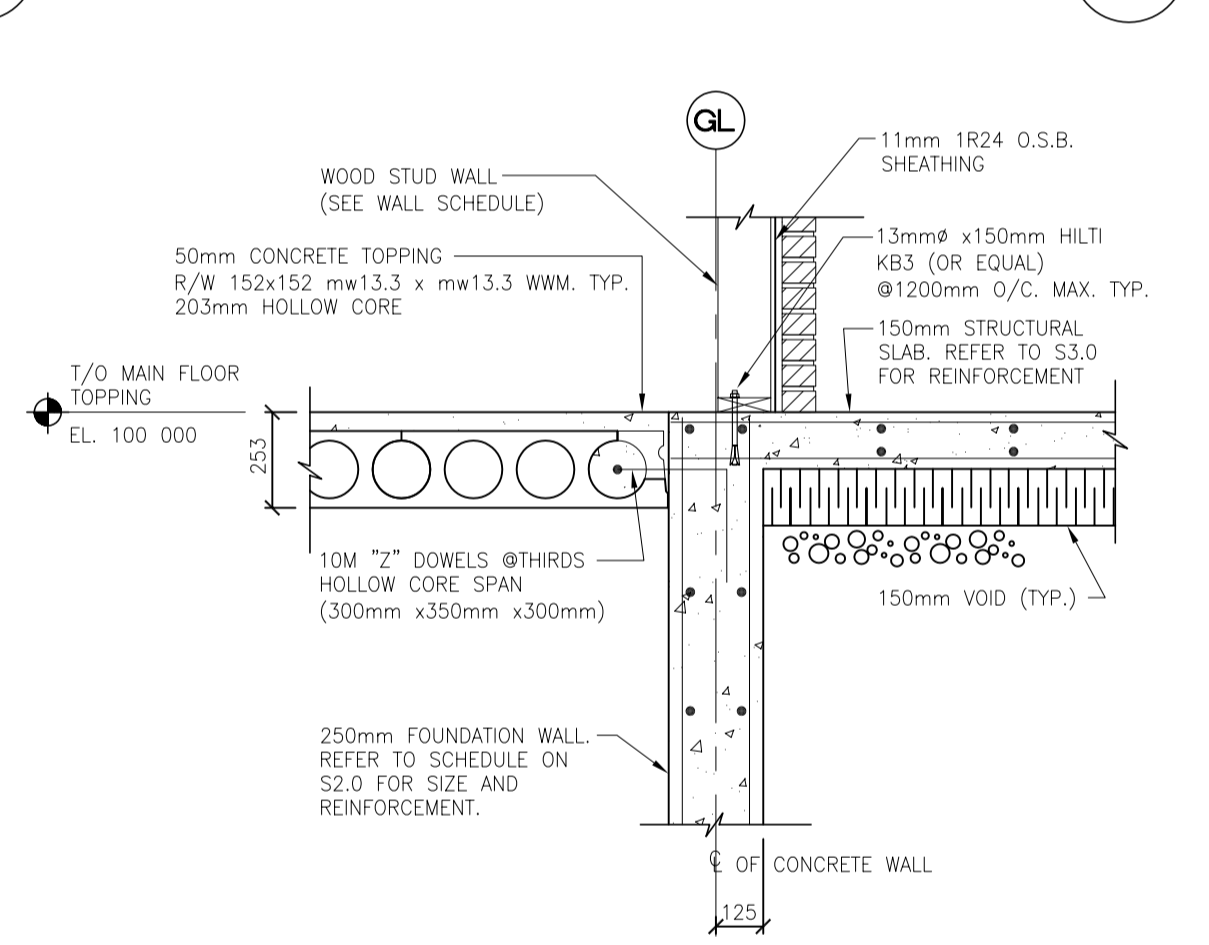
SECTION 6A
S5.0 SCALE: 120



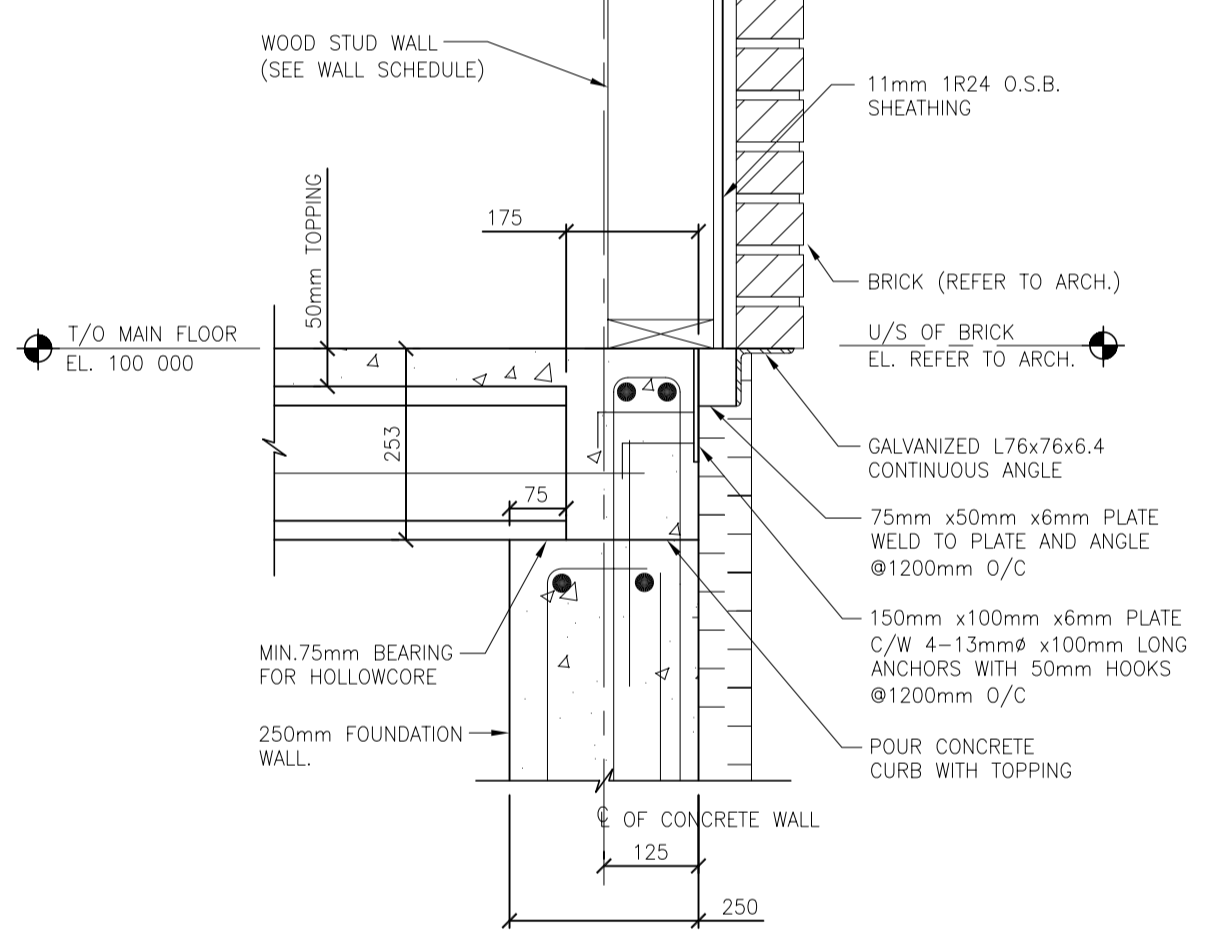
SECTION 5
S5.0 SCALE: 120



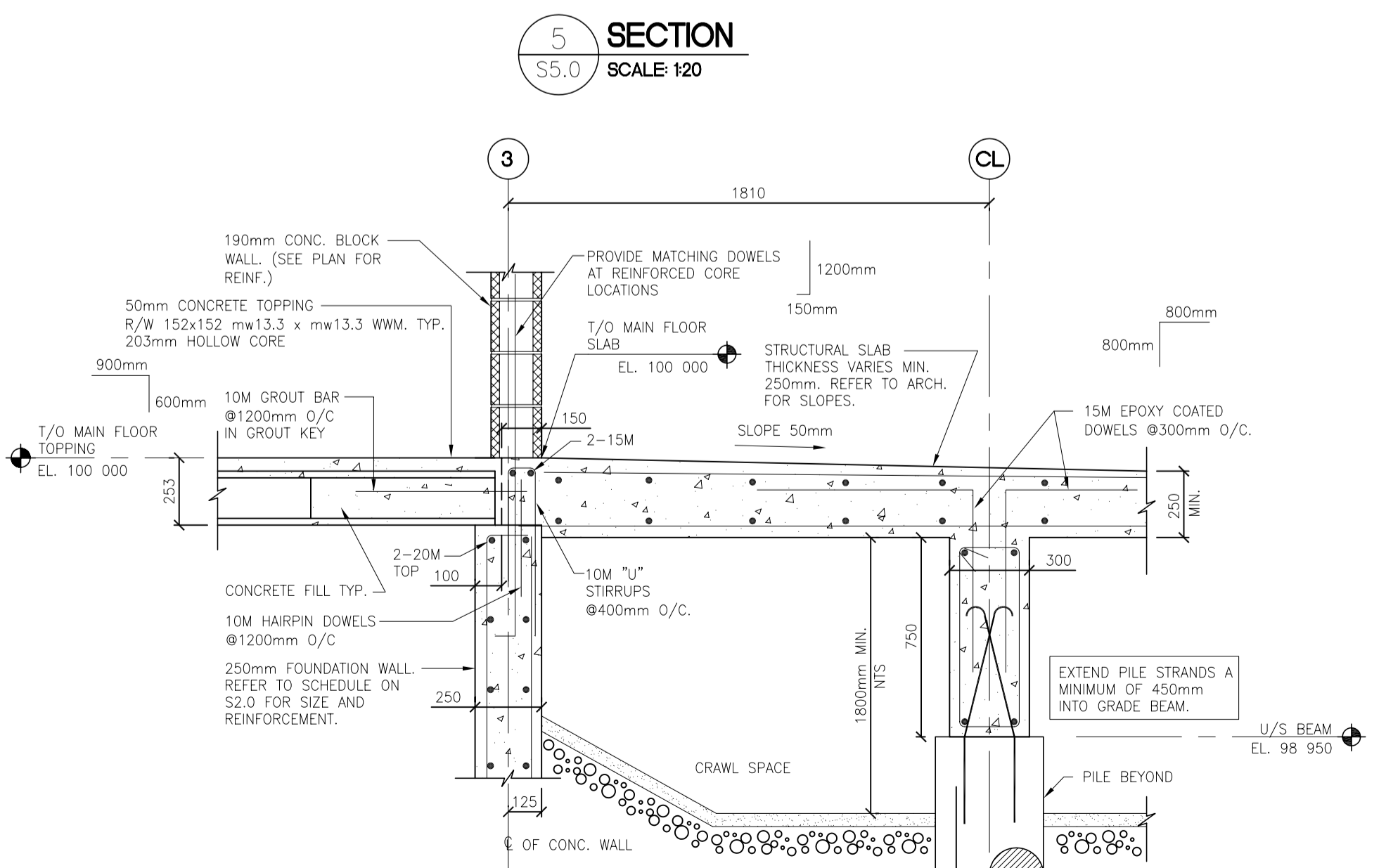
SECTION 5A
S5.0 SCALE: 120



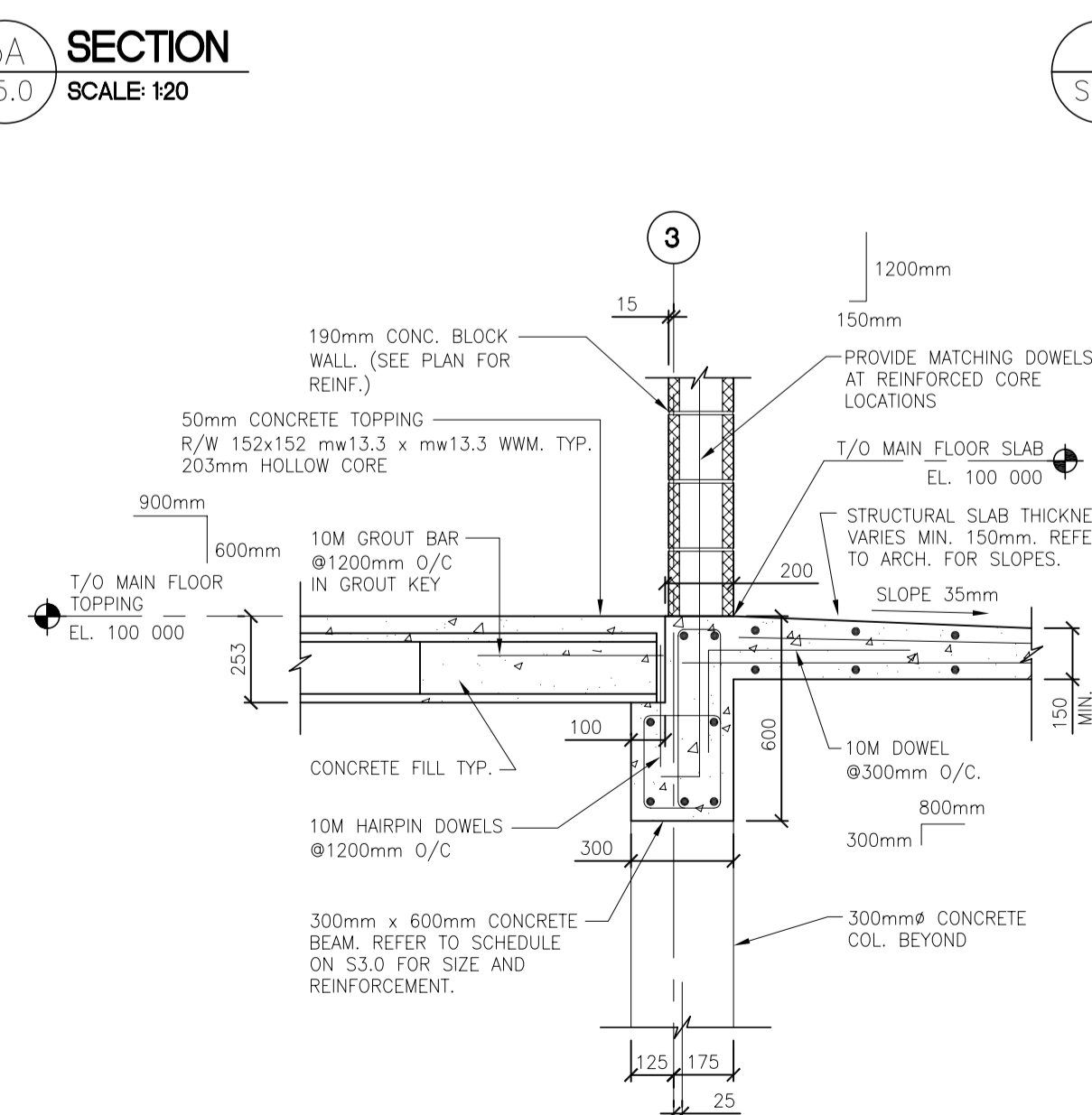
SECTION 6
S5.0 SCALE: 120



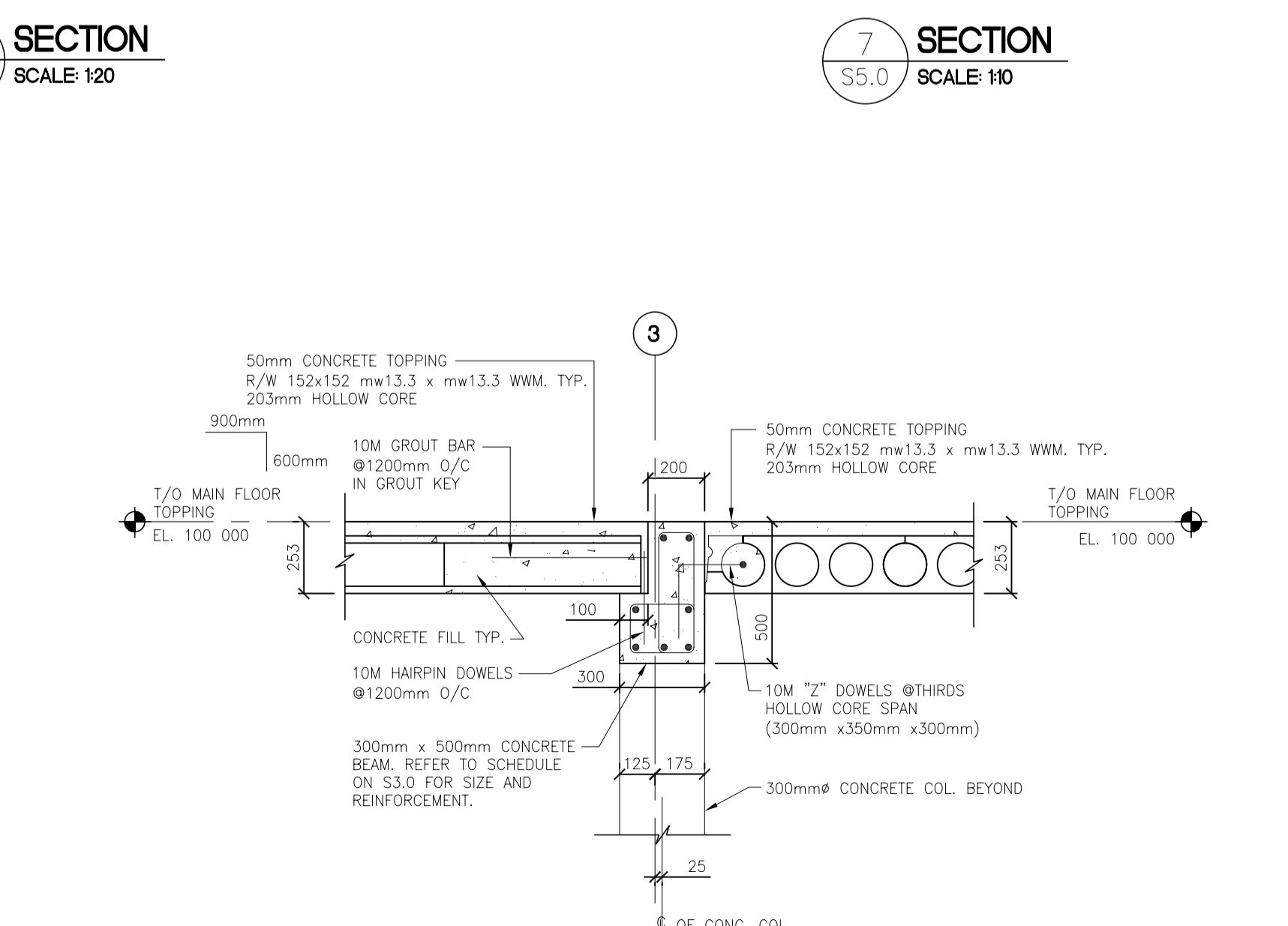
SECTION 7
S5.0 SCALE: 120



SECTION 8
S5.0 SCALE: 120



SECTION 9
S5.0 SCALE: 120



SECTION 10
S5.0 SCALE: 120

NOTES :

ORIGINAL STAMPED BY: N. MARTINEZ, P. ENG.
DATE: 2006.07.17

NO.	REVISION/DESCRIPTION	BY	DATE
2.	ISSUED FOR TENDER	NM	JULY 1706
1.	ISSUED FOR CLIENT REVIEW	NM	JUNE 2306

CONSULTANT
TOWER ENGINEERING GROUP
TOWER PROJECT NO. : 6079
TOWER ENGINEERING GROUP
208 - 897 CORYDON AVE. WINNIPEG, MB R3M 0W7
TEL: (204) 925-1150 FAX: (204) 925-1155
EMAIL: towereng@towereng.ca WEB: www.towereng.ca

APEGN
Certificate of Authorization
Tower Engineering Group Inc.
No. 1918 Expiry: April 30, 2007

DRAWN BY	CHECKED BY	APPROVED
SM	USER APPROVAL	

CITY OF WINNIPEG
PLANNING, PROPERTY & DEVELOPMENT DEPARTMENT
CIVIC ACCOMMODATIONS DIVISION
300 - 65 GARRY ST. R3C 4K4

PROJECT
WEST TRANSCONA
FIRE PARAMEDIC STATION 21
1446 REGENT AVENUE W
SHEET TITLE
**FOUNDATION/
MAIN FLOOR SECTIONS**

SCALE	PROJECT NO.	SHEET NO.
AS SHOWN	2004-058	S5.0

METRIC
WHOLE NUMBERS ARE IN MILLIMETRES,
DECIMALIZED NUMBERS ARE IN METRES