

MASONRY BLOCK WALL SCHEDULE		
MARK	BLOCK SIZE (mm)	REINFORCEMENT
MW1	190	1-15M EVERY 5TH CORE
MW2	190	1-20M EVERY 5TH CORE

NOTES:
 - ALL CONCRETE BLOCK TO BE 15 MPa U.N.O.
 - ALL GROUT TO BE 20 MPa U.N.O.
 - MORTAR TO BE TYPE 'S' U.N.O.
 - FILL VERTICAL BLOCK CORES BELOW LINTELS BEARING AND REINF.
 W/ 1-15M VERT.

STUD WALL SCHEDULE	
MARK	WOOD STUDS SIZE, TYPE AND SPACING
W1	38 x 140 SPF NO. 1/ NO. 2 @400mm O/C

NOTES:
 - WALLS "W1" ARE LOAD BEARING WALLS.
 - ALL LOAD BEARING WALLS TO BE SHEATHED WITH 12.7mm PLYWOOD OR 1R24 OSB ON ONE SIDE MINIMUM.
 - ALL SHEATHING TO BE FASTENED WITH 76mm NAILS @150mm O/C ON PANEL EDGES AND @300mm O/C FOR INTERMEDIATE TYP. U.N.O.

WOOD TRUSS SCHEDULE				
MARK	SPACING (MAX.) (mm)	LIVE LOAD	TOTAL LOAD (I.N.L. SNOW DRIFT)	TYPE
1	600	2.15 KPa	2.87 kPa	FLAT PITCH TRUSS
2	400	2.15 KPa	2.87 kPa	MONO TRUSS

NOTES:
 - REFER TO PLAN FOR SNOW DRIFT LOADING
 - REFER TO ARCH. FOR TRUSS SLOPES, DEPTHS, AND OVERHANGS

LINTEL SCHEDULE			
MARK	L1	L2	L3
SIZE/TYP (mm)	2-38x235 S-P-F, NO.1/NO.2	190x390 U-BLOCK	190x390 U-BLOCK
REINFORCEMENT	N/A	1-15M TOP CONT. 1-20M BOTTOM CONT. 10M STIRRUPS @150mm O/C	2-15M BOTTOM CONT.
SECTION			

NOTES:
 - ALL CONCRETE BLOCK TO BE 15 MPa U.N.O.
 - ALL GROUT TO BE 20 MPa U.N.O.
 - MORTAR TO BE TYPE 'S' U.N.O.
 - FOR BLOCK LINTELS MIN. BEARING TO BE 200mm U.N.O.
 - FOR WOOD LINTELS MIN. BEARING TO BE 75mm U.N.O.
 - FILL VERTICAL BLOCK CORES BELOW LINTELS BEARING AND REINF.
 W/ 1-15M VERT.

ORIGINAL STAMPED BY: N. MARTINEZ, P. ENG.
 DATE: 2006.07.17

NO.	REVISION/DESCRIPTION	BY	DATE
2	ISSUED FOR TENDER	NM	JULY 17/06
1	ISSUED FOR CLIENT REVIEW	NM	JUNE 26/06

CONSULTANT
TOWER ENGINEERING GROUP
 TOWER PROJECT NO. : 6079
 208 - 897 CORYDON AVE. WINNEPEG, MB. R3M 0W7
 TEL: (204) 925-1150 FAX: (204) 925-1155
 EMAIL: towereng@towereng.ca WEB: www.towereng.ca

APEGM
 Certificate of Authorization
 Tower Engineering Group Inc.
 No. 1918 Expiry: April 30, 2007

DRAWN BY	AW/W	CHECKED BY	APPROVED
2006.07.17			

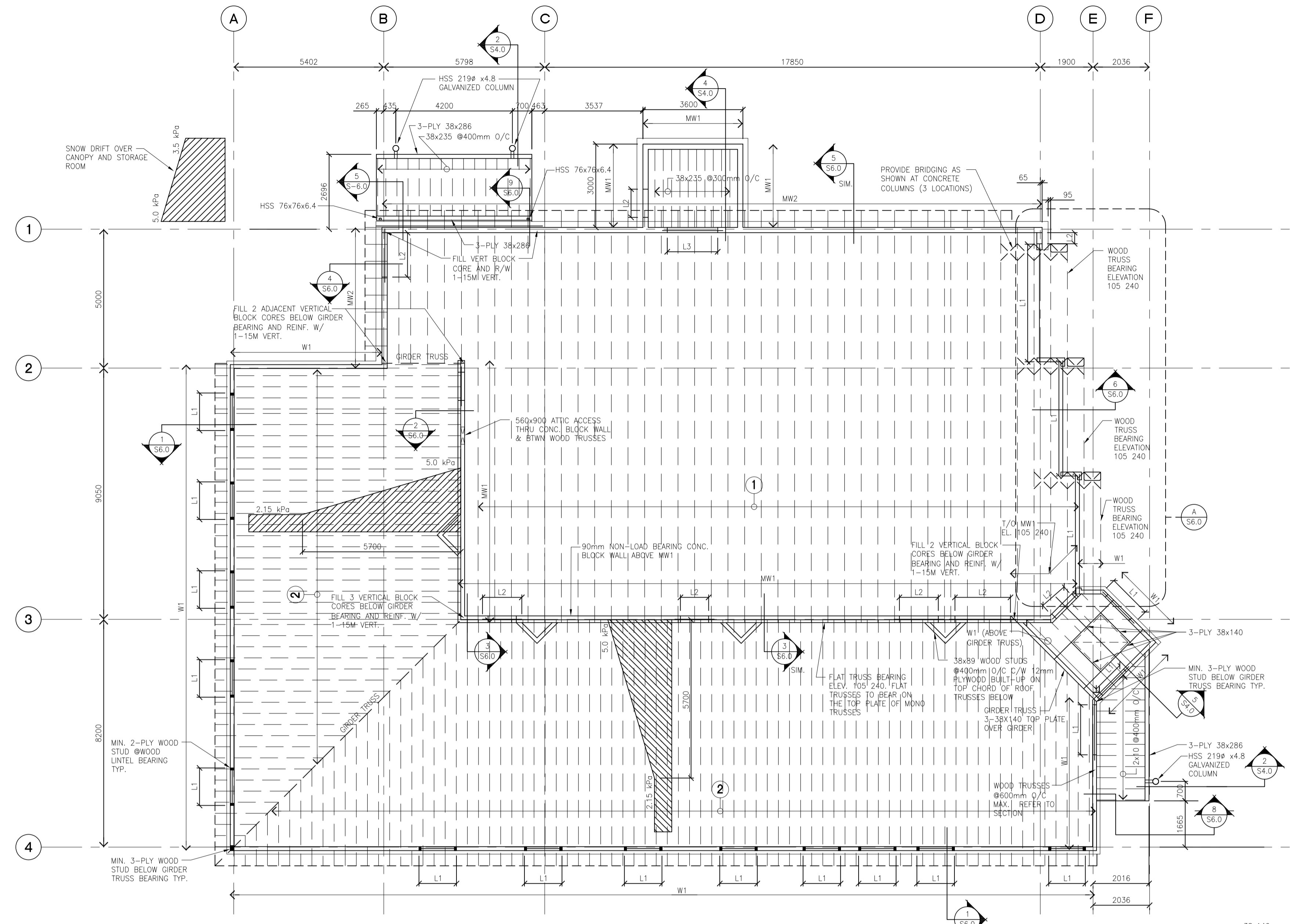
CITY OF WINNEPEG
 PLANNING, PROPERTY & DEVELOPMENT DEPARTMENT
 CIVIC ACCOMMODATIONS DIVISION
 300 - 65 GARRY ST. R3C 4K4

PROJECT
WEST TRANSCONA
FIRE PARAMEDIC STATION 21

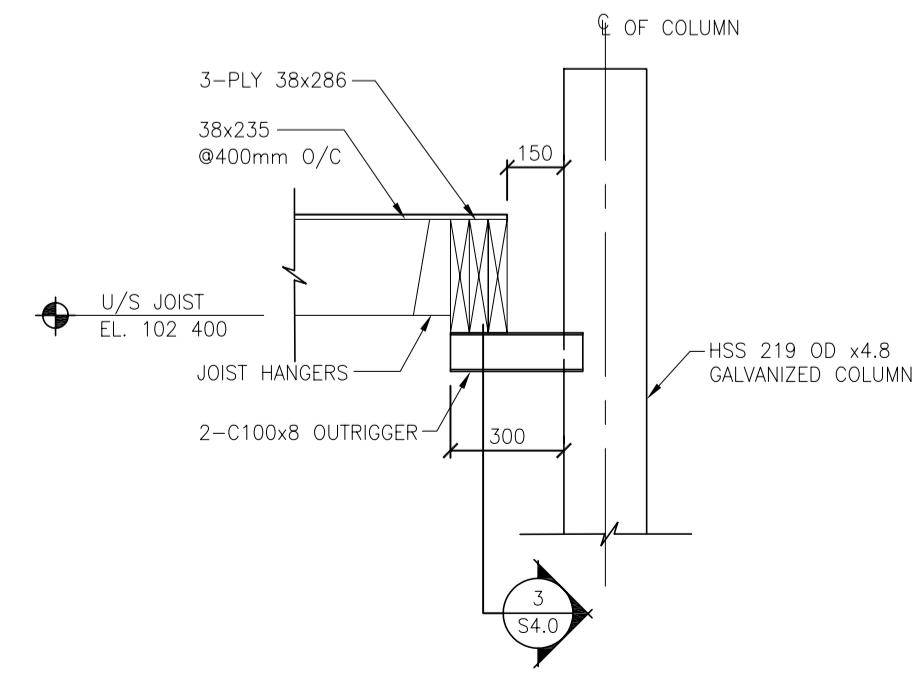
1446 REGENT AVENUE W
 SHEET TITLE
ROOF FRAMING PLAN

SCALE	PROJECT NO.	SHEET NO.
AS SHOWN	2004-058	S4.0

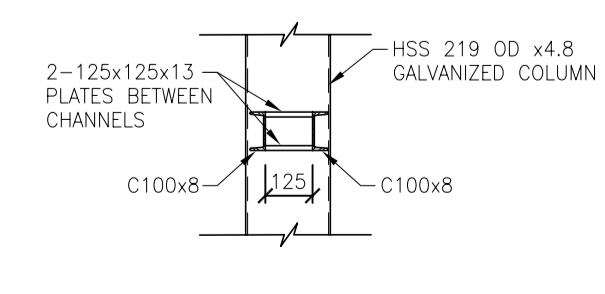
METRIC
 WHOLE NUMBERS ARE IN MILLIMETRES,
 DECIMALIZED NUMBERS ARE IN METRES



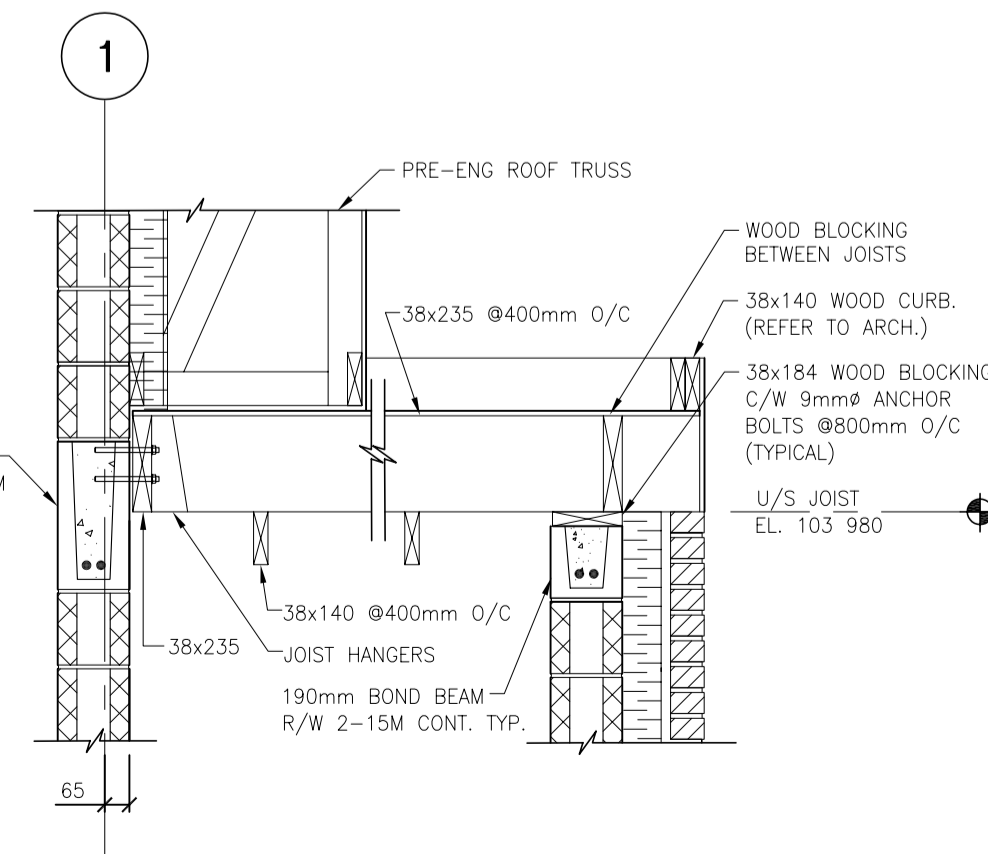
1 ROOF FRAMING PLAN
 SCALE: 1/100



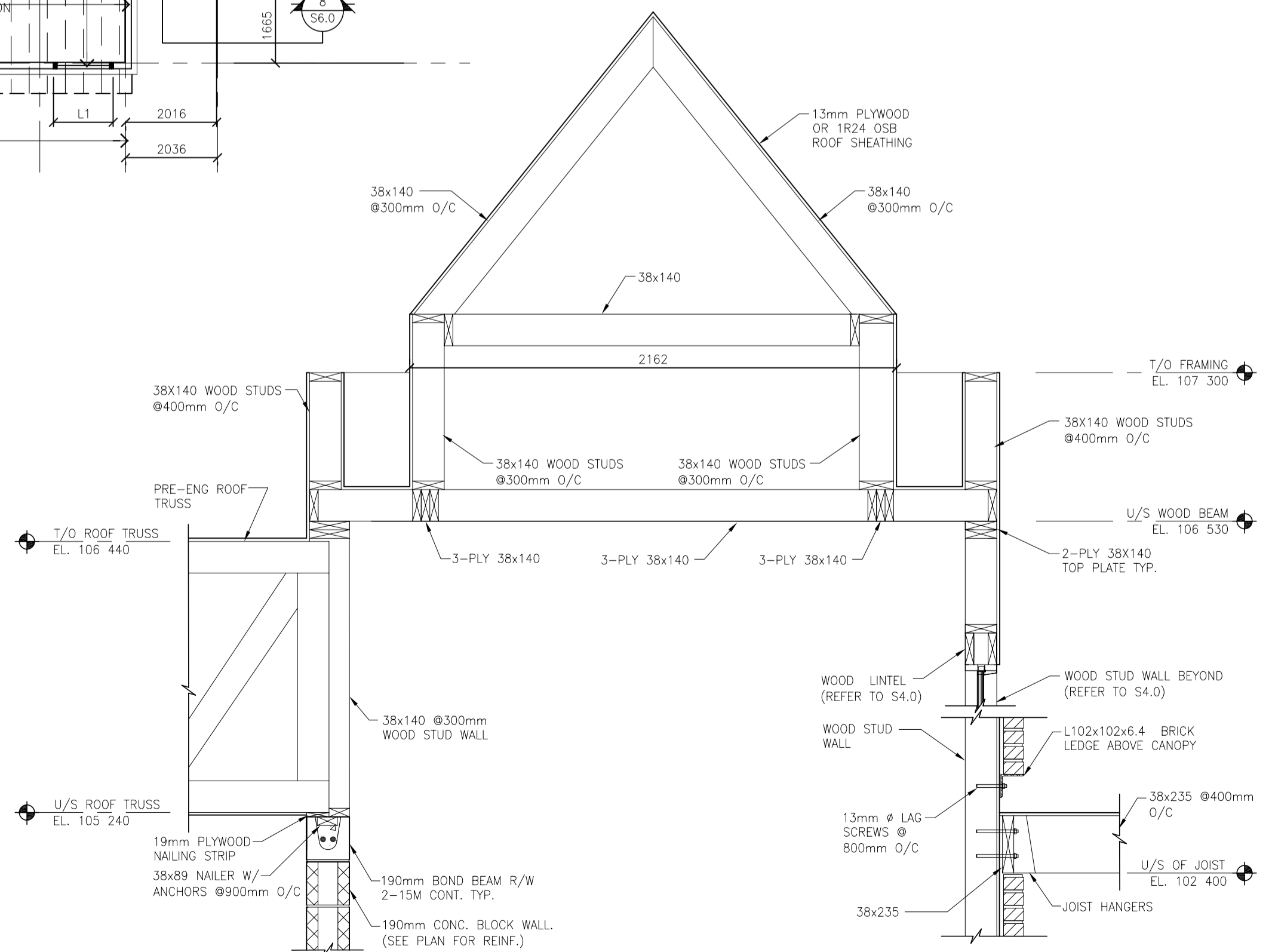
2 SECTION
 SCALE: 1/20



3 SECTION
 SCALE: 1/20



4 SECTION
 SCALE: 1/20



5 SECTION
 SCALE: 1/20