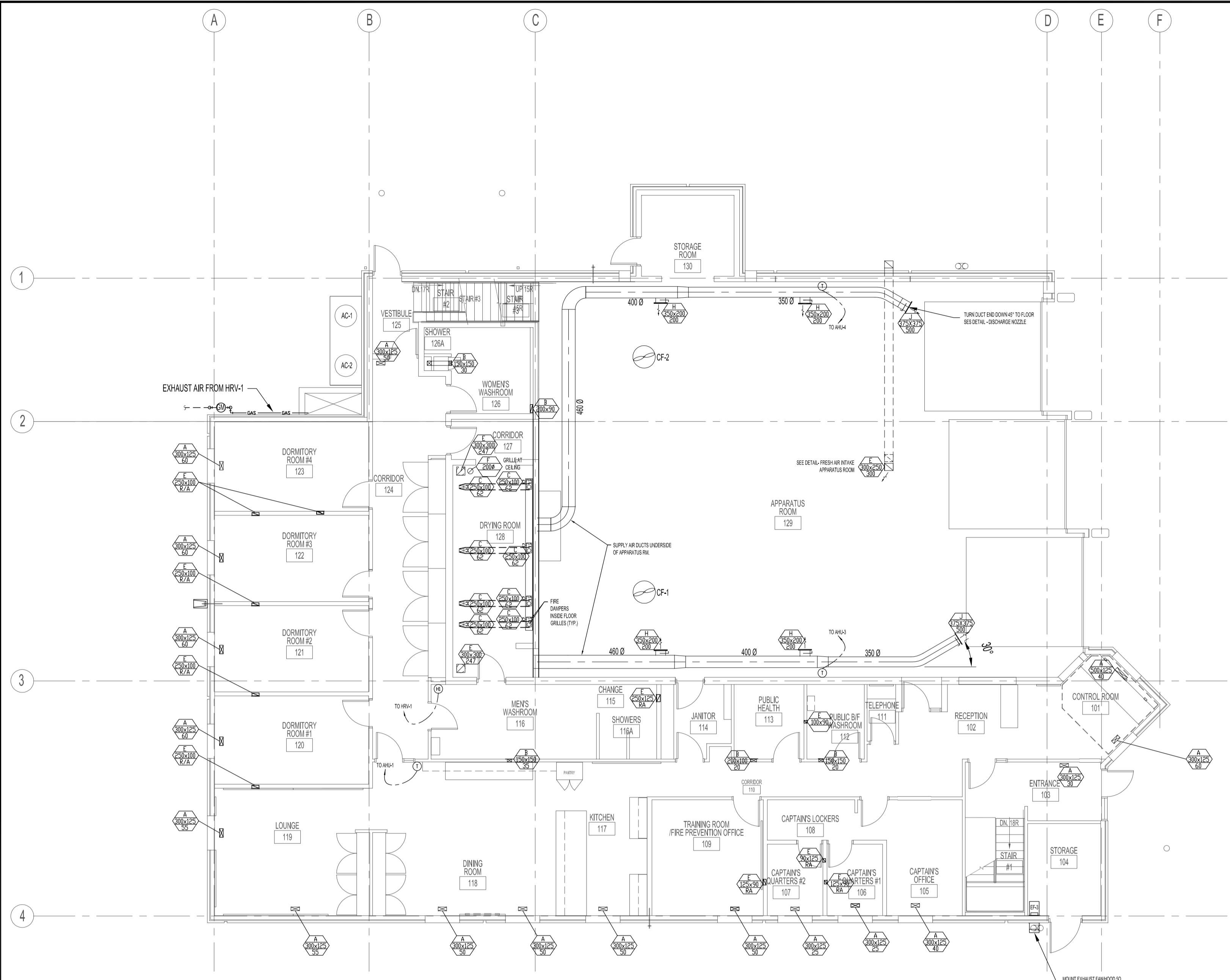


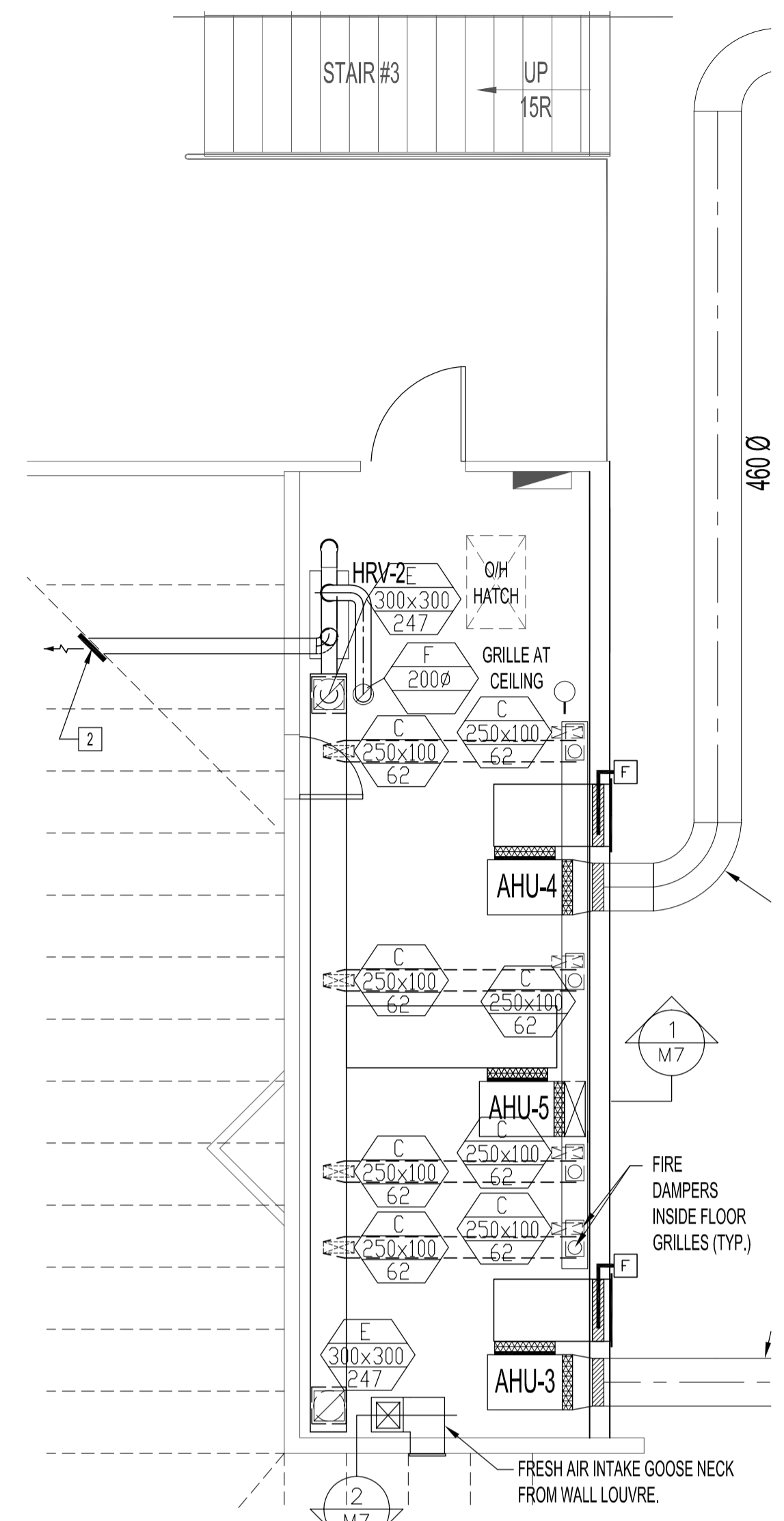
PROJECT No.: 2004-058-01 ADDRESS: 1446 REGENT AVE. WEST DESCRIPTION: MAIN & MEZZANINE FLOOR PLANS: MECH. - ELEVATION, SECTION & DETAIL DATE: 2006.07.14 FILE NAME: 2004058\M0.dwg\M7

NOTES :
SEE DRAWING M1.



MAIN FLOOR PLAN - MECHANICAL
SCALE: 1:100

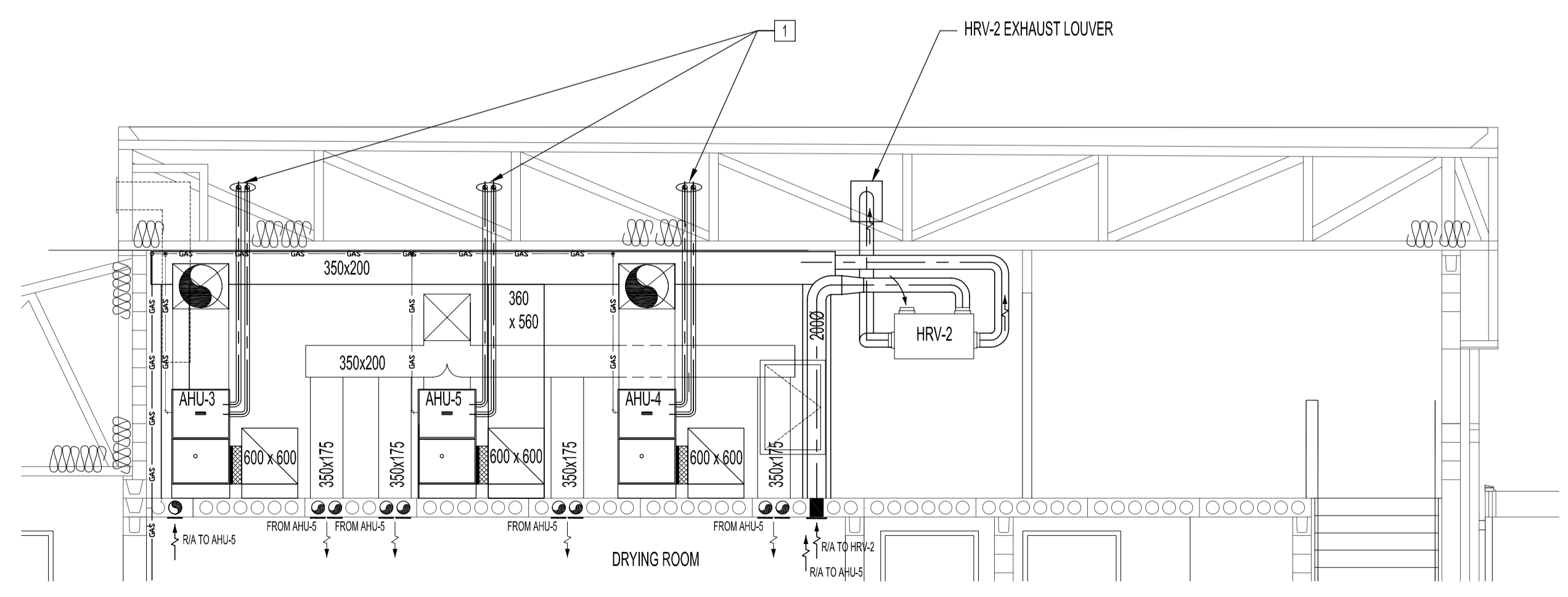
- 1 FURNACE EXHAUST & INTAKE AIR PIPING TO TERMINATE ADJACENT TO HRV-2 WALL LOUVER USING MANUFACTURER'S INSTALLATION INSTRUCTIONS AND CONCENTRIC WALL TERMINATION ASSEMBLY, LENNOX 60L46. SUPPLY & INSTALL.
- 2 EXHAUST LOUVER FOR HRV-2. LOCATED ON EAST ELEVATION. SEE ARCH. DRAWING A8.



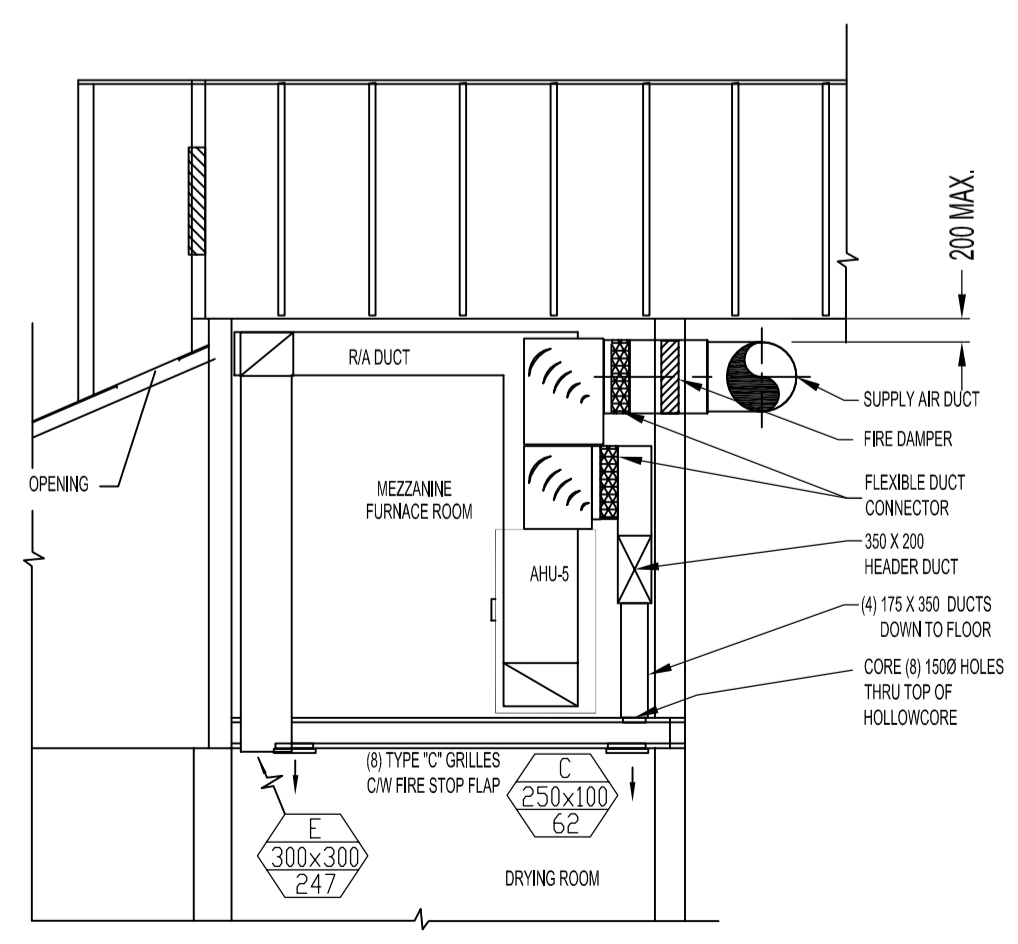
MEZZANINE FLOOR PLAN - MECHANICAL
SCALE: 1:50

ORIGINAL STAMPED BY: DOUG PALEY, P.ENG
DATE: 2006.07.14

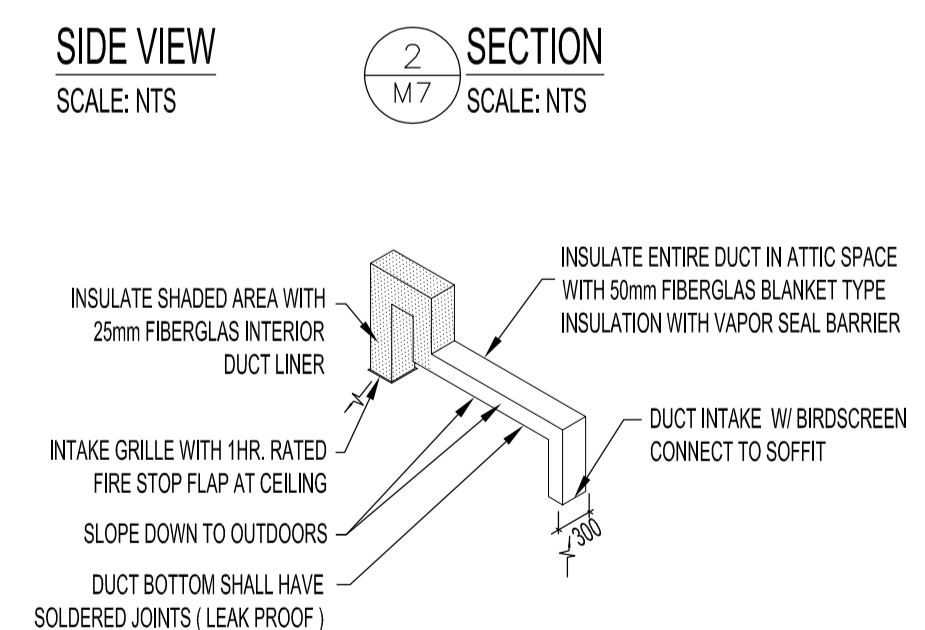
NO.	REVISION/DESCRIPTION	BY	DATE
SEALS			



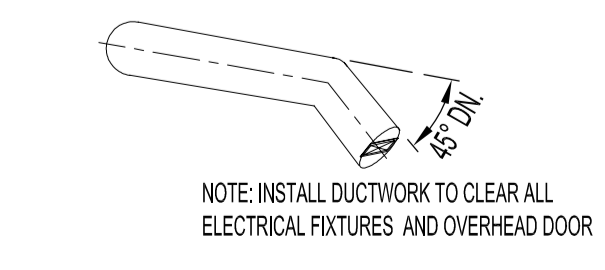
MEZZANINE MECHANICAL ROOM - ELEVATION
SCALE: 1:50



MEZZANINE FURNACE ROOM X-SECTION
SCALE: 1:50



DETAIL - FRESH AIR INTAKE FOR APPARATUS ROOM
SCALE: NTS



DETAIL - DISCHARGE NOZZLE
SCALE: NTS

DRAWN BY	CHECKED BY	APPROVED
RC/PTA	USER APPROVAL	

CITY OF WINNIPEG
PLANNING, PROPERTY &
DEVELOPMENT DEPARTMENT
CIVIC ACCOMMODATIONS DIVISION
300 - 65 GARRY ST. R3C 4K4

PROJECT
WEST TRANSCONA
FIRE PARAMEDIC STATION 21

1446 REGENT AVE. WEST
SHEET TITLE

MAIN & MEZZANINE FLOOR PLAN
MECHANICAL
ELEVATION, SECTION AND DETAIL

METRIC
WHOLE NUMBERS ARE IN MILLIMETRES,
DECIMALIZED NUMBERS ARE IN METRES

SCALE	PROJECT NO.	SHEET NO.
AS SHOWN	2004-058-01	M7

DRAWING SHEET SIZE: A1 (841mm x 594mm) PLOT 1:1