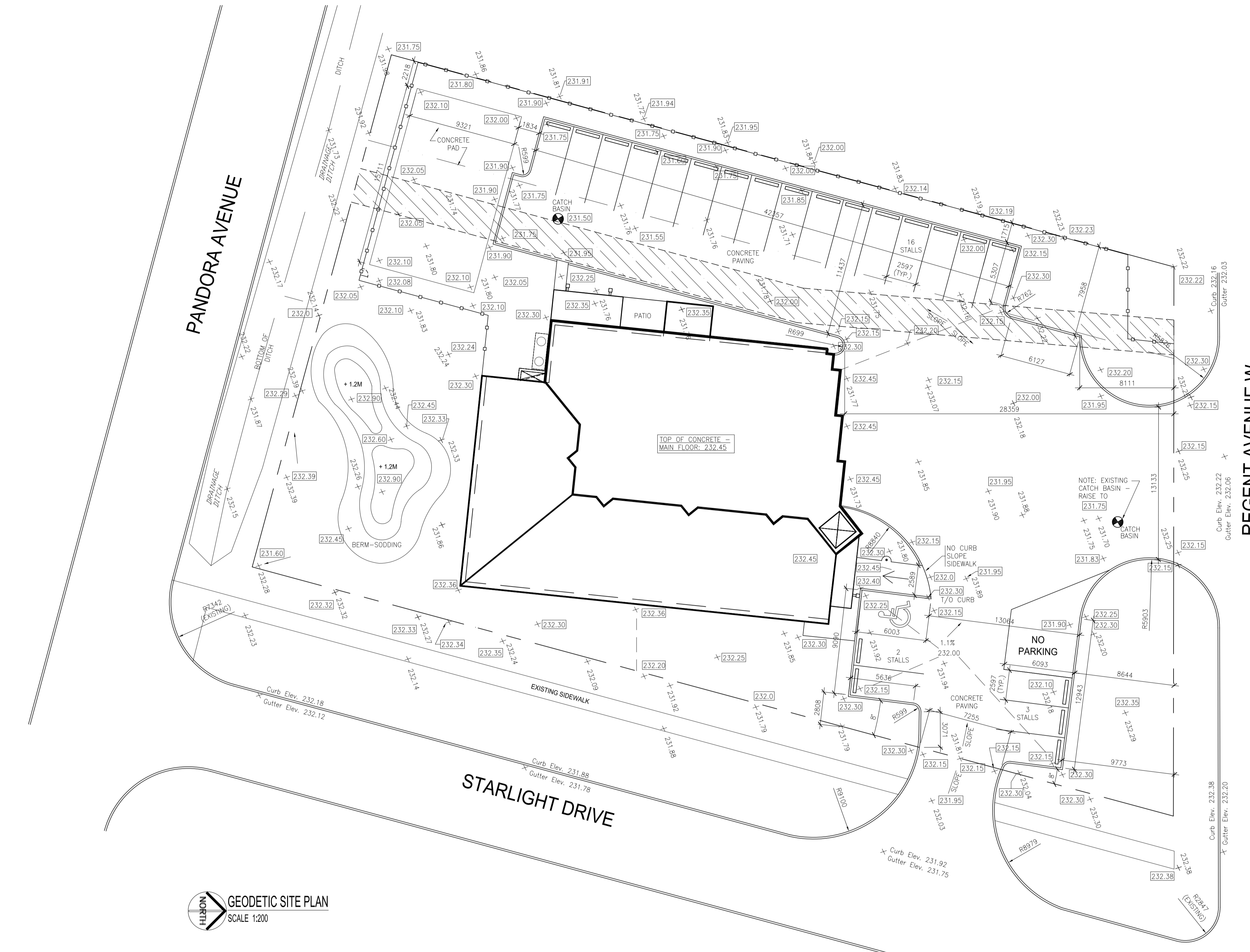


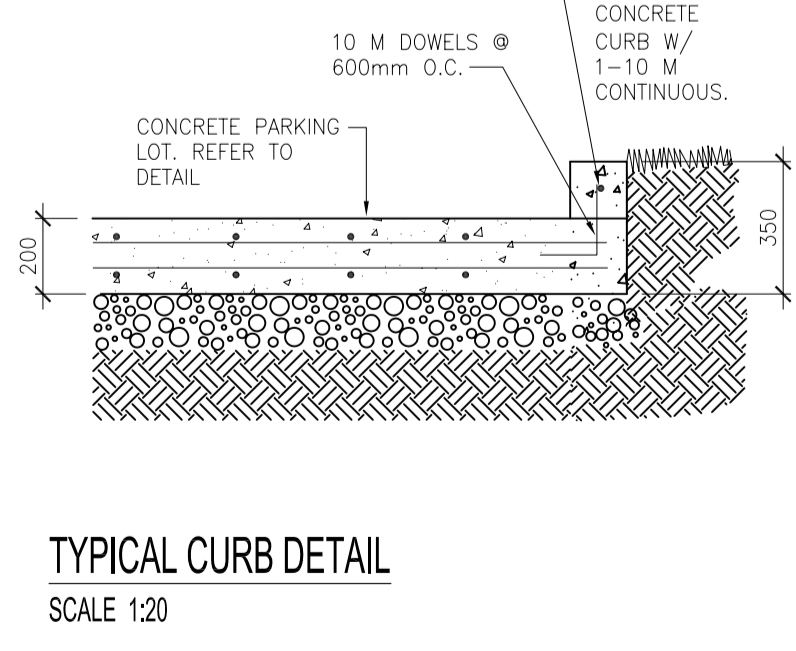
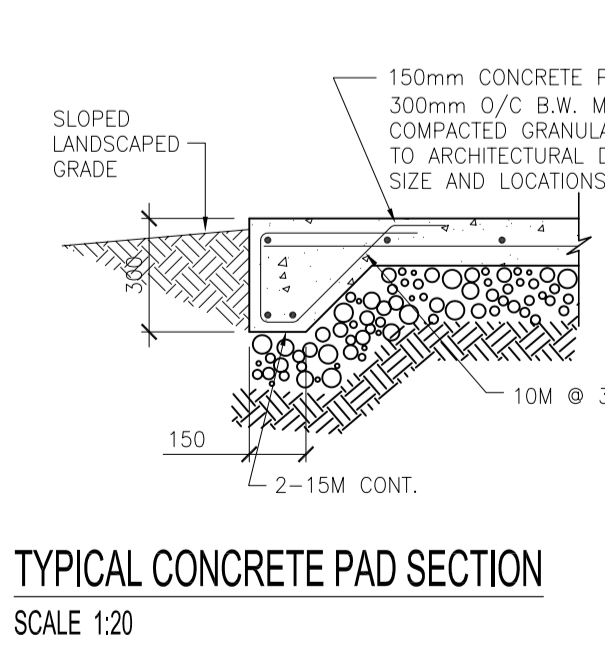
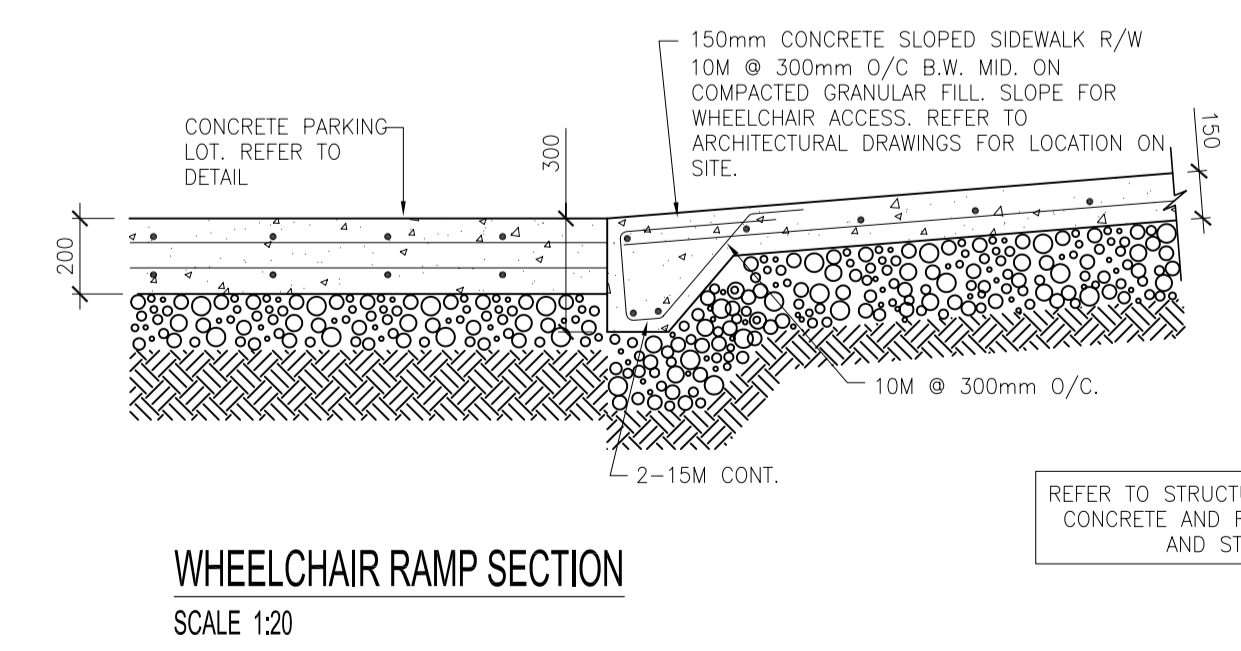
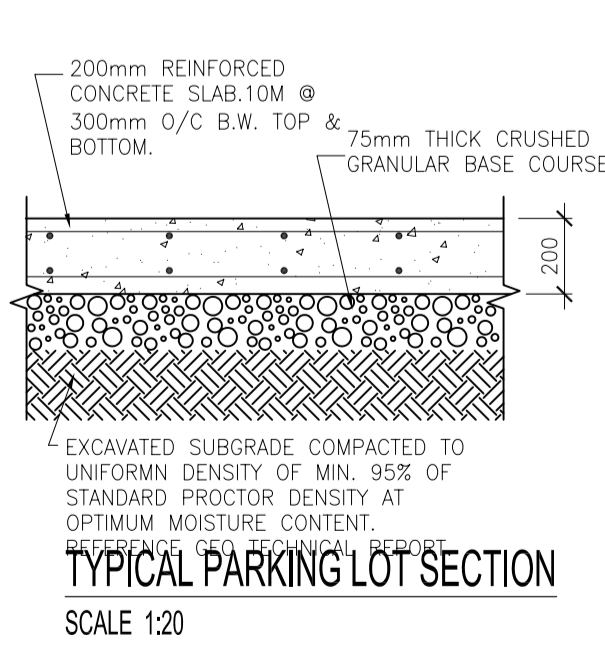
NOTES: ALL CONCRETE AND CIVIL WORK SHALL COMPLY WITH CITY OF WINNIPEG STANDARD CONSTRUCTION SPECIFICATIONS.



GENERAL LEGEND

✕ 231.95	EXISTING GRADE GEODETIC POINT
✕ 231.95	NEW GRADE GEODETIC POINT
—	WOOD FENCE
—	PROPERTY LINE
—	BLANK
—	BLANK

GEODETIC SITE PLAN
SCALE 1:200



ORIGINAL STAMPED BY: G. SCHAUB, P. ENG.
DATE: 2006.07.17

NO.	REVISION/DESCRIPTION	BY	DATE
2.	ISSUED FOR TENDER	CS	JULY 17/06
1.	ISSUED FOR REVIEW	CS	JUNE 28/06

CONSULTANT
TOWER ENGINEERING GROUP
TOWER PROJECT NO.: 6079
208 - 897 CORYDON AVE. WINNIPEG, MB R3M 0W7
TEL: (204) 925-1150 FAX: (204) 925-1155
EMAIL: towereng@towereng.ca WEB: www.towereng.ca

APEGM
Certificate of Authorization
Tower Engineering Group Inc.
No. 1918 Expiry: April 30, 2007

DRAWN BY	CS	CHECKED BY	APPROVED
DATE	2006.07.17	USER APPROVAL	

CITY OF WINNIPEG
PLANNING, PROPERTY & DEVELOPMENT DEPARTMENT
CIVIC ACCOMMODATIONS DIVISION
300 - 65 GARRY ST. R3C 4K4

PROJECT
WEST TRANSCONA
FIRE PARAMEDIC STATION 21

1446 REGENT AVENUE W.
SHEET TITLE
GEODETIC SITE PLAN AND DETAILS

METRIC
WHOLE NUMBERS ARE IN MILLIMETRES,
DECIMALIZED NUMBERS ARE IN METRES

SCALE	PROJECT NO.	SHEET NO.
AS SHOWN	2004-058	C1