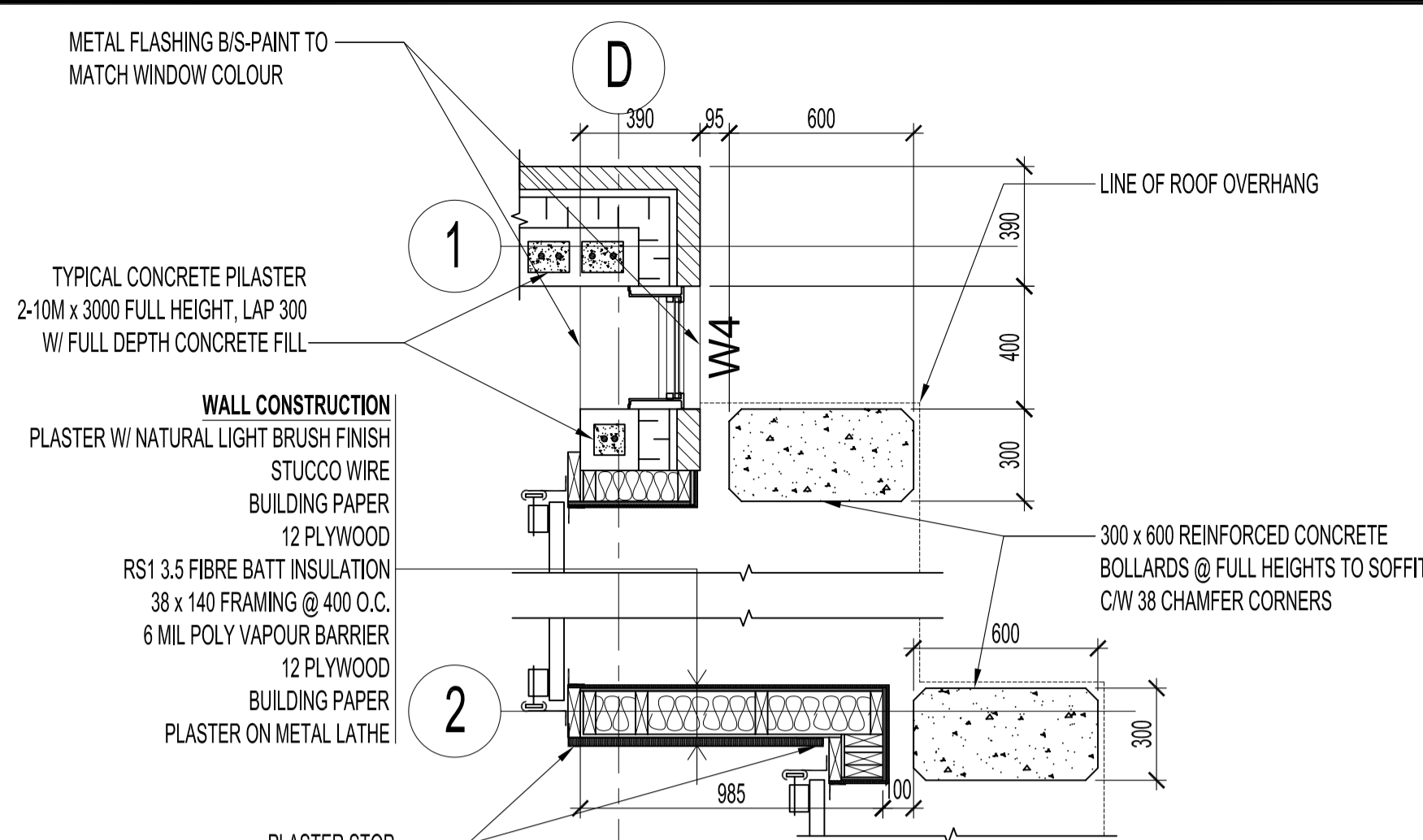
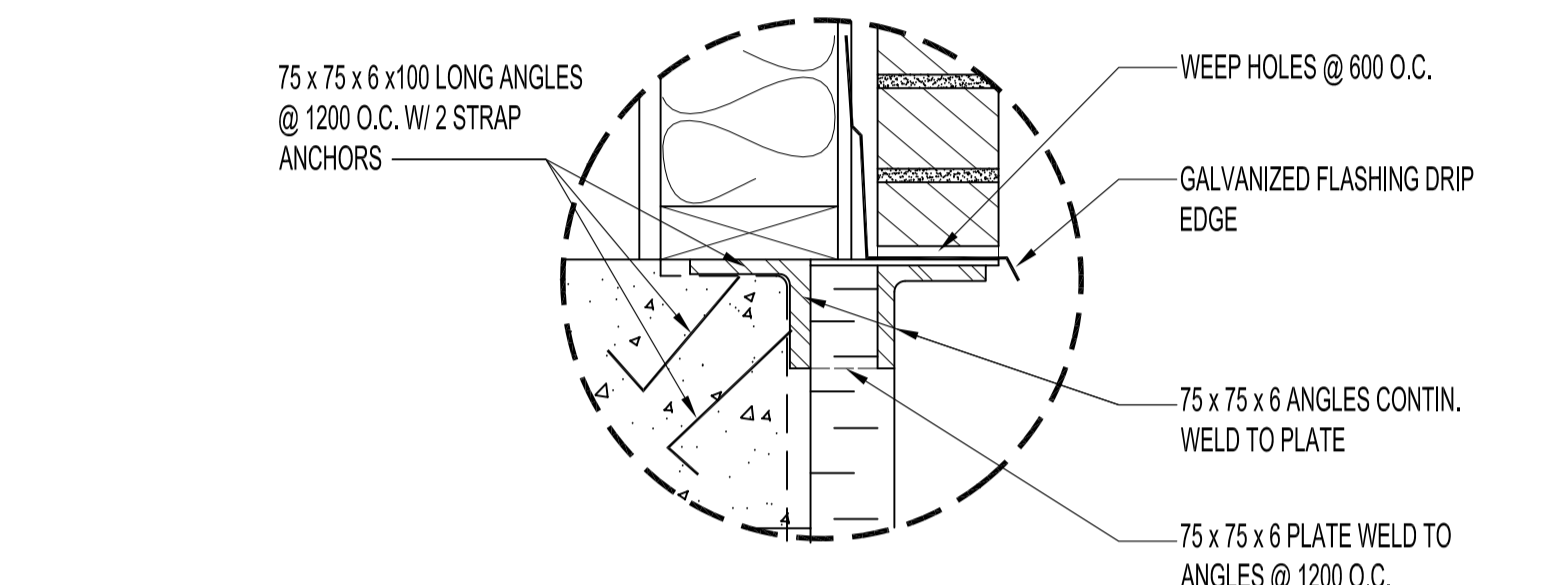


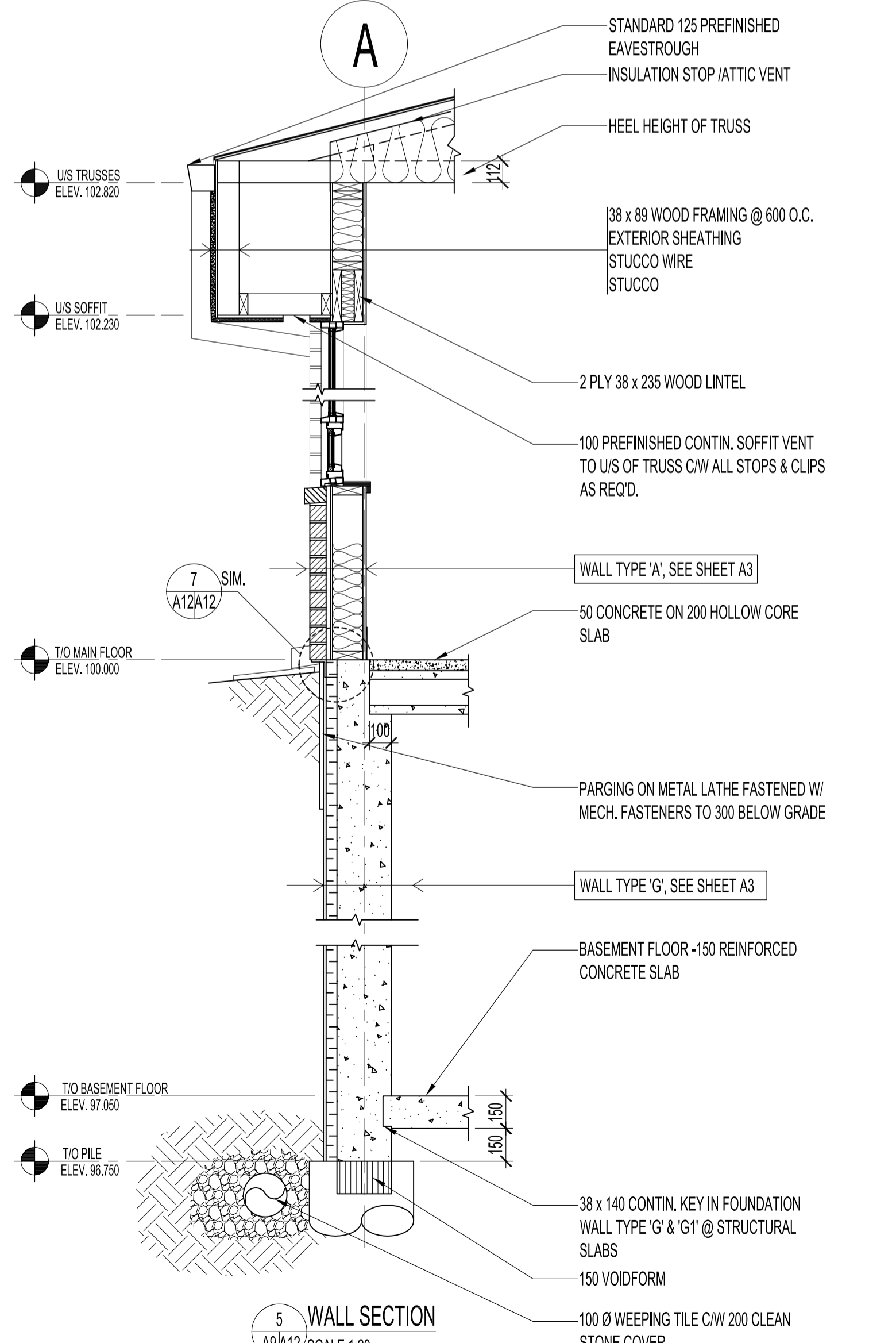
4 WALL SECTION  
A9/A12 SCALE 1:20



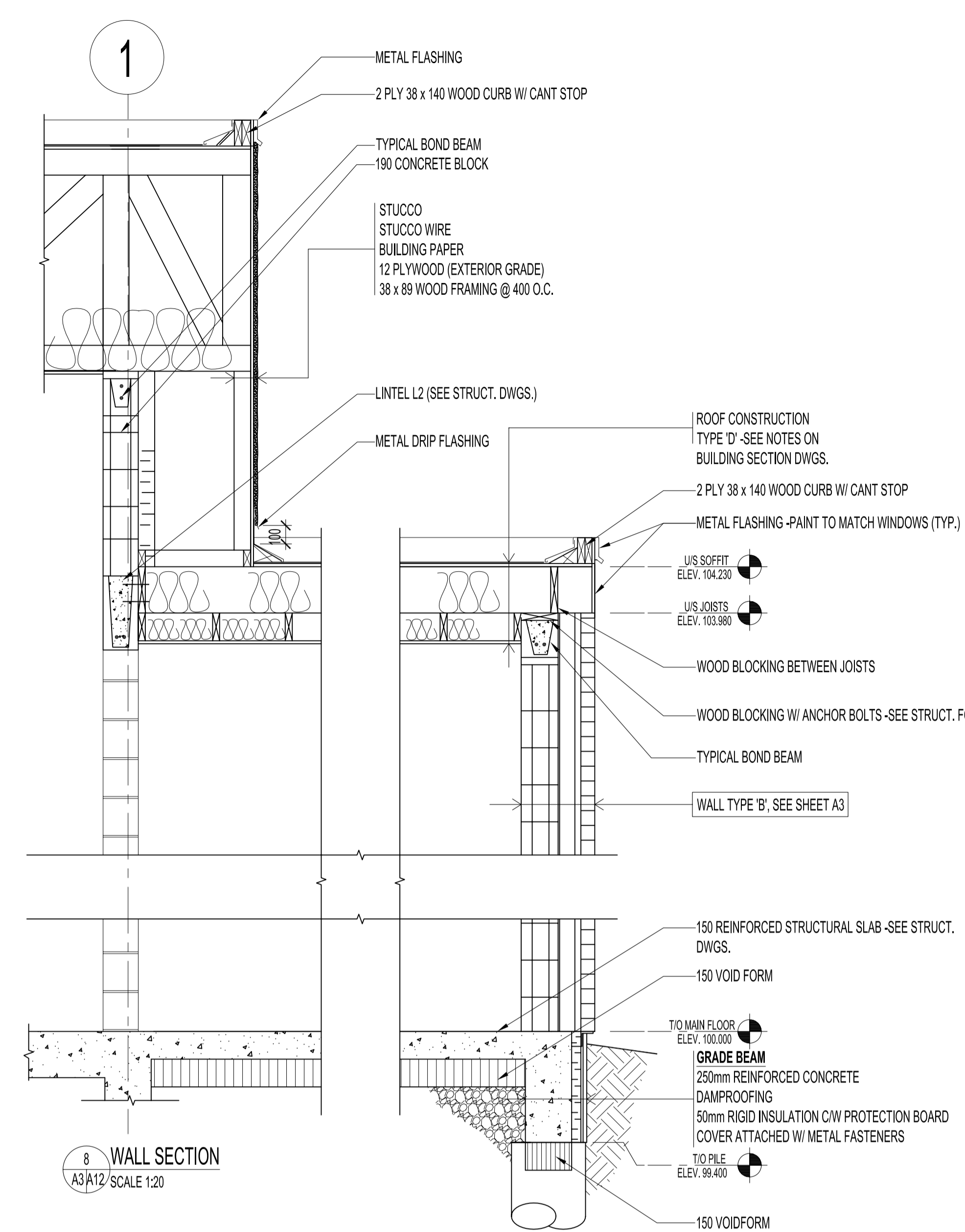
6 WALL SECTION  
A3/A12 SCALE 1:20



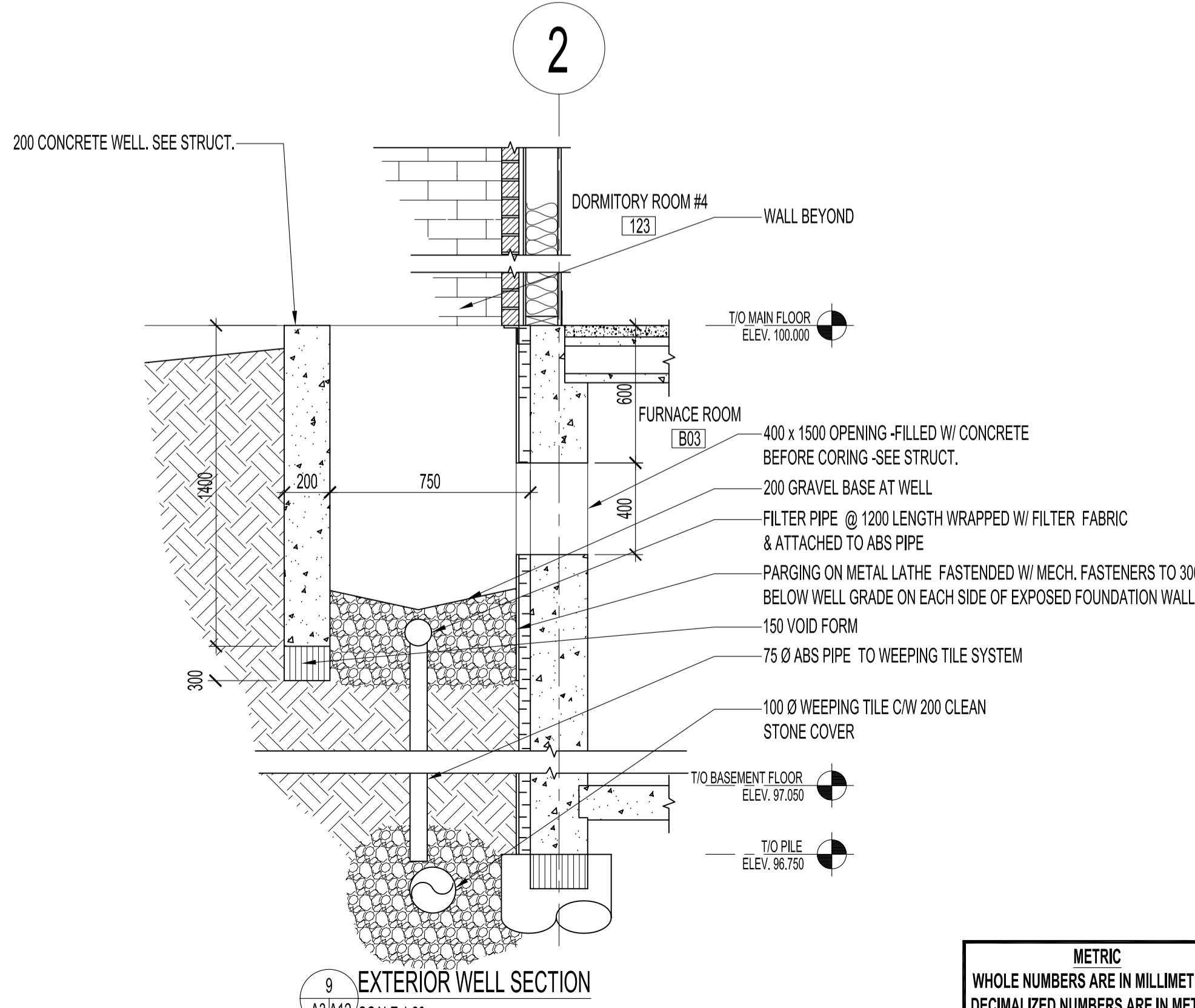
7 WALL DETAIL  
A11/A12 SCALE N.T.S.



5 WALL SECTION  
A9/A12 SCALE 1:20



8 WALL SECTION  
A3/A12 SCALE 1:20



9 EXTERIOR WELL SECTION  
A3/A12 SCALE 1:20

**NOTES :**  
**GENERAL NOTES:**  
1. ALL METAL FLASHING TO BE PAINTED TO MATCH WINDOW/ DOOR COLOUR UNLESS NOTED OTHERWISE.  
2. FOR STUCCO TYPE & TEXTURE -SEE SPECIFICATIONS.

ORIGINAL STAMPED BY: R. K. FOK LJ Arch.  
DATE: 2006.07.18

NO.	REVISION/DESCRIPTION	BY	DATE
SEALS			
DRAWN BY	CHK	CHECKED BY	APPROVED
DATE	2006.07.10	USER	APPROVAL
<b>CITY OF WINNIPEG PLANNING, PROPERTY &amp; DEVELOPMENT DEPARTMENT CIVIC ACCOMMODATIONS DIVISION 300 - 65 GARRY ST. R3C 4K4</b>			
PROJECT WEST TRANSCONA FIRE PARAMEDIC STATION 21			
1446 REGENT AVENUE W.			
SHEET TITLE WALL SECTIONS DETAILS			
SCALE	PROJECT NO.	SHEET NO.	
AS SHOWN	2004-058	A12	

METRIC  
WHOLE NUMBERS ARE IN MILLIMETRES,  
DECIMALIZED NUMBERS ARE IN METRES