

# 1 FINISH SCHEDULE

SCALE: N/A

## ROOM FINISH SCHEDULE

ROOM	FLOOR	WALLS	CEILING	NOTES					
No.	NAME	MAT	BASE	NORTH	EAST	SOUTH	WEST	MAT	HT
100	Vestibule	SV	V	PB	PB	PB	PB	AC	8'-0"
101	Training & Meeting	CPT 1/2	CPT	VB	VB	VB	VB	AC/PB	Varies
102	Office	CPT 1	CPT	PB	PB	PB	PB	AC	8'-6"
103	Office	CPT 1	CPT	PB	PB	PB	PB	AC	8'-6"
104	Office	CPT 1	CPT	PB	PB	PB	PB	AC	8'-6"
105	Office	CPT 1	CPT	PB	PB	PB	PB	AC	8'-6"
106	Office	CPT 1	CPT	PB	PB	PB	PB	AC	8'-6"
107	Storage	SV	V	PB	PB	PB	PB	AC	8'-6"
108	Office	CPT 1	CPT	PB	PB	PB	PB	AC	8'-6"
109	Office	CPT 1	CPT	PB	PB	PB	PB	AC	8'-6"
110	Copy Area	SV	V	PB	PB	PB	PB	AC	8'-6"
111	Corridor	SV	V	PB	PB	PB	PB	AC	8'-6"
112	Corridor	CPT 2	CPT	-	-	-	-	AC	8'-6"
113	Corridor	CPT 2	CPT	PB	PB	-	-	AC	8'-6"

### COLOUR / MATERIAL LEGEND

CPT 1	Patcraft 10060 Splash Series, 60XXX "Tuck"
CPT 2	Patcraft 10060 Splash Series, 60514 "Cannonball"
SV 1	Tarkett Optima Series, 42864 "Grey"
Paint 1	General Paint 8800W "Portico"
Paint 2	General Paint 8801W "Studio Grey"
Paint 3	General Paint 7751W "Beach Grass"
Paint 4	General Paint 8886N "Best Burgundy"
P.LAM 1	Nevarmar "Cafe Allusion" AL-2-4T
P.LAM 2	Nevarmar "Papier Soliel Textured" PR-2-1T
Vin. Base	Johnsonite 1/8" x 4" "Burgundy" #85

### COLOUR SCHEDULE

CPT	As per schedule and plan
SV 1	As per schedule and plan
Office Walls/Storage	Paint 2
Storage/Copy Room	Paint 2
Vestibules	Paint 1
Corridor	Paint 1
Training Wall (E & W)	Paint 2
Training Wall (N & S)	Paint 1
Door Frames	Paint 4

### ABBREVIATIONS

SV	SHEET VINYL
CPT	CARPET
V	INTEGRALLY COVERED VINYL BASE
VB	VINYL WALL COVERING ON GYPSUM BOARD
PB	PAINT ON GYPSUM BOARD
AC	SUSPENDED ACOUSTIC TILE SYSTEM
PT	PAINT

# 2 DOOR SCHEDULE

SCALE: N/A

## DOOR SCHEDULE

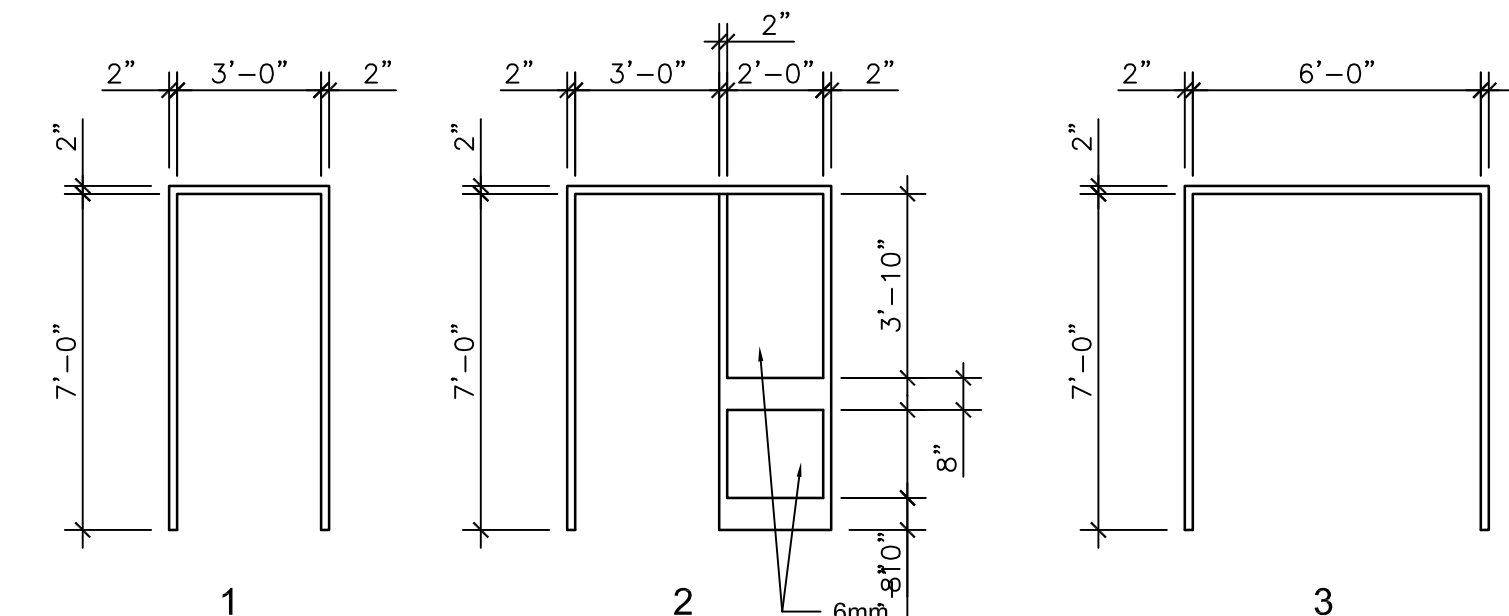
DOOR	ROOM	SIZE	SWING TYPE	THICK	MATERIAL	CORE	GLAZING	FINISH	HDWR GROUP	FRAME TYPE	MATERIAL	FINISH	CODE	NOTES
D100a	Ext. to Vest.	3'-0" x 7'-0"	LH	C	-	GLALUM	INS	DLE	CLANOD	X	1	TB	CLANOD	ALUM 1 3' Sidelight
D100b	Vest. To Corr.	3'-0" x 7'-0"	RHR	D	-	GLALUM	INS	SINGLE	CLANOD	1	1	TB	CLANOD	ALUM 2 2' Sidelight
D101a	Corr. To Training	3'-0" x 7'-0"	RHR	A	1 3/4"	M	SD	PT	X	1	FS	PT		
D101b	Corr. To Training	3'-0" x 7'-0"	LHR/RHR	B	1 3/4"	M	SD	WGL	PT	X	3	FS	PT	
D102	Corr. To Office	3'-0" x 7'-0"	LH	A	1 3/4"	M	SD	PT	3	2	FS	PT		
D103	Corr. To Office	3'-0" x 7'-0"	RHR	A	1 3/4"	M	SD	PT	3	2	FS	PT		
D104	Corr. To Office	3'-0" x 7'-0"	LH	A	1 3/4"	M	SD	PT	3	2	FS	PT		
D105	Corr. To Office	3'-0" x 7'-0"	RHR	A	1 3/4"	M	SD	PT	3	2	FS	PT		
D106	Corr. To Office	3'-0" x 7'-0"	LH	A	1 3/4"	M	SD	PT	3	1	FS	PT		
D107	Corr. To Storage	3'-0" x 7'-0"	RHR	A	1 3/4"	HM	SD	PT	3	1	FS	PT		
D108	Corr. To Office	3'-0" x 7'-0"	LH	A	1 3/4"	M	SD	PT	3	2	FS	PT		
D109	Corr. To Office	3'-0" x 7'-0"	RHR	A	1 3/4"	M	SD	PT	3	2	FS	PT		
D111	Corr. To Ext.	3'-0" x 7'-0"	RHR	B	1 3/4"	HM	INS	WGL	PT	2	1	TB	PT	
D113	Corr. To Ext.	3'-0" x 7'-0"	LH	B	1 3/4"	HM	INS	WGL	PT	2	1	TB	PT	

### ABBREVIATIONS

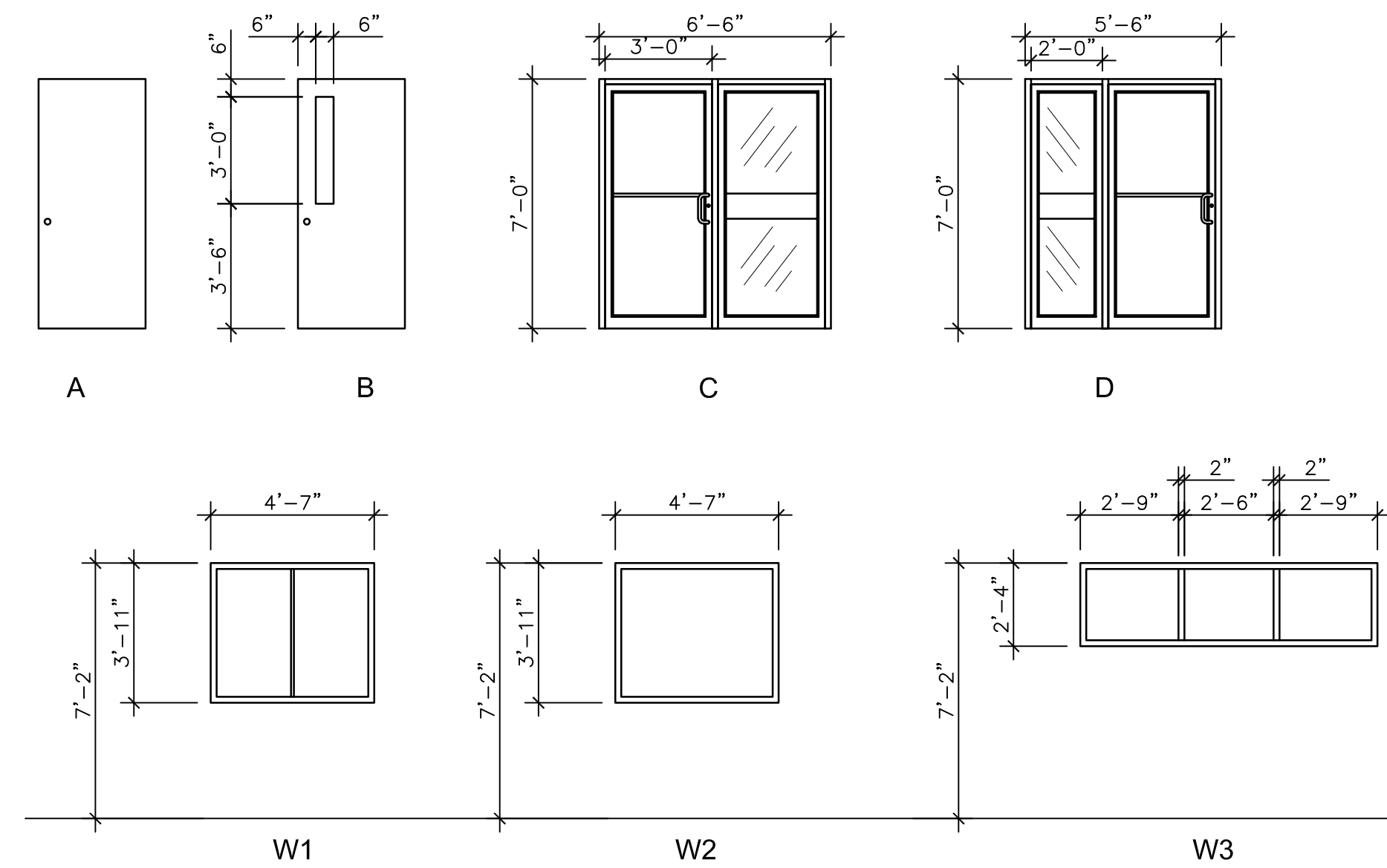
M	STAIN GRADE MAPLE	WGL	WIRE GLASS
HM	HOLLOW METAL	DLE	DUAL LOW-E
PS	PRESS STEEL	GLALUM	GLASS ALUMINUM
TB	THERMALLY BROKEN	CLANOD	CLEAR ANODIZED
INS	INSULATED		
PT	PAINT		
SD	SOLID		

# 3 DOOR SCHEDULE

SCALE: 1/4" = 1'-0"



- NOTE:
- ALL FRAMES TO BE WELDED PRESS STEEL
  - ALL FRAMES TO BE PAINTED
  - ALL EXTERIOR DOOR & WINDOW FRAMES TO BE THERMALLY BROKEN AND INSULATED.



# 2 HARDWARE SCHEDULE

SCALE: N/A

GROUP	MODEL #	FINISH #	SUPPLIER	GROUP	MODEL #	FINISH	SUPPLIER
GROUP 1:				GROUP 6 (3/4 HR):			
HINGES (3)	CB191 4 1/2" X 4 NRP	C26D	ST	HINGE (3)	CB179 4 1/2" X 4	C26D	ST
EXIT DEVICE	35NL-OP X 334	626	VO	LOCKSET	AL53PD SAT	626	SC
RIM CYLINDER	20-021	626	SM	CLOSER	1461 REG	689	LC
PULL	3012-2 No. 2 MTG.	C32D	SM	CONCAVE WALL STOP	S122	C26D	SM
CLOSER	4021 REG	689	LC				
ADAPTER PLATE	4020 18G	689	LC	GROUP 7:			
OVER HEAD STOP	104S	630	GL	HINGE (3)	CB179 4 1/2" X 4	C26D	ST
SWEEP	DS138C X 36"	CA	AK	DOOR PULL/PLATE	9407	C32D	SM
THRESHOLD	DS500 X 36"	AL	AK	PUSHPLATE	K11A-3 4 X 16	32D	SM
- WEATHERSTRIP BY DOOR SUPPLIER				CLOSER	1461 REG	689	LC
				HIGH DOME STOP	S102	C26D	SM
GROUP 2:				GROUP 8:			
HINGES (3)	CB191 4 1/2" X 4 NRP	C26D	ST	SLIDING DOOR KIT	C-500 X 2 DR 72"		KN
EXIT DEVICE	35NL-OP X 334	626	VO	FUSH PULL	C-70	C26D	KN
RIM CYLINDER	20-021	626	SM				
PULL	3012-2 No. 2 MTG.	C32D	SM	GROUP 9:			
CLOSER	4021 REG	689	LC	HINGES (3)	CB191 4 1/2" X 4 NRP	C26D	ST
ADAPTER PLATE	4020 18G	689	LC	EXIT DEVICE	22NL-OP X 110MD	689, 626	VO
OVER HEAD STOP	104S	630	GL	PULL	3012-2 No. 2 MTG	C32D	SM
SWEEP	DS138C X 36"	CA	AK	RIM CYLINDER	20-021	626	SC
THRESHOLD	DS500 X 36"	AL	AK	CLOSER	4041 REG	689	LC
				OVERHEAD STOP	104S	630	GL
GROUP 3:				SWEEP	DS138C X 36"	CA	AK
HINGE (3)	CB179 4 1/2" X 4	C26D	ST	JAMB WEATHERSTRIP	DS133C 1 X 36" X 84"	AL	AK
LOCKSET	AL53PD SAT	626	SC	THRESHOLD	DS500 X 36"	AL	AK
CONCAVE WALL STOP	S122	C26D	SM				
GROUP 4:							
HINGE (3)	CB179 4 1/2" X 4	C26D	ST				
LOCKSET	AL53PD SAT	626	SC				
HIGH DOME STOP	S102	C26D	SM				
GROUP 5:							
HINGE (3)	CB179 4 1/2" X 4	C26D	ST				
PASSAGE SET	AL10S SAT	626	SC				
HIGH DOME STOP	S102	C26D	SM				

STANLEY	ST
VON DUPRIN	VO
SCHLAGE	SC
LCN	LC
GLYNN JOHNSON	GL
AK DRAFSTEAL	AK
KN CROWDER	KN
STANDARD METAL	SM



REV	DESCRIPTION	DATE	BY
4	REVISED FOR TENDER	Jul 26, 2006	LK
3	ISSUED FOR TENDER	Jul 20, 2006	LK
2	REVISED FOR TENDER	Jul 10, 2006	LK
1	ISSUED FOR TENDER REVIEW	May 16, 2006	LK
0	ISSUED FOR REVIEW	Aug 01, 2005	NC

SEAL:	SEAL:
-------	-------

THIS DRAWING MUST NOT BE SCALED.  
 THE CONTRACTOR SHALL VERIFY ALL DIMENSIONS, DATUMS AND LEVELS PRIOR TO COMMENCEMENT OF WORK AND IS HELD RESPONSIBLE FOR REPORTING ANY DISCREPANCY OR OMISSION TO THE CONTRACT ADMINISTRATOR IMMEDIATELY.

THIS DRAWING IS THE EXCLUSIVE PROPERTY OF NEIL COOPER ARCHITECT INC AND CAN BE REPRODUCED ONLY WITH THE PERMISSION OF NEIL COOPER ARCHITECT INC. IN WHICH CASE THE REPRODUCTION MUST BEAR THEIR NAME AS THE ARCHITECTURAL FIRM.

DRAWN:	
PROJECT:	ADDITION TO 770 ROSS AVENUE
	Winnipeg, Manitoba

Neil Cooper Architect Inc.  
 10-395 Berry Street, Winnipeg, Manitoba R3J 1N6

DRAWN BY:	CHECKED BY:	SHEET NO:	REV NO:
LK		A8	1R4
DATE:	MAY 02, 2006		
SCALE:	AS NOTED		

FILE: 06013/Cont Doc/Cont Dwgs/Arch Dwgs/AB.1R4.dwg