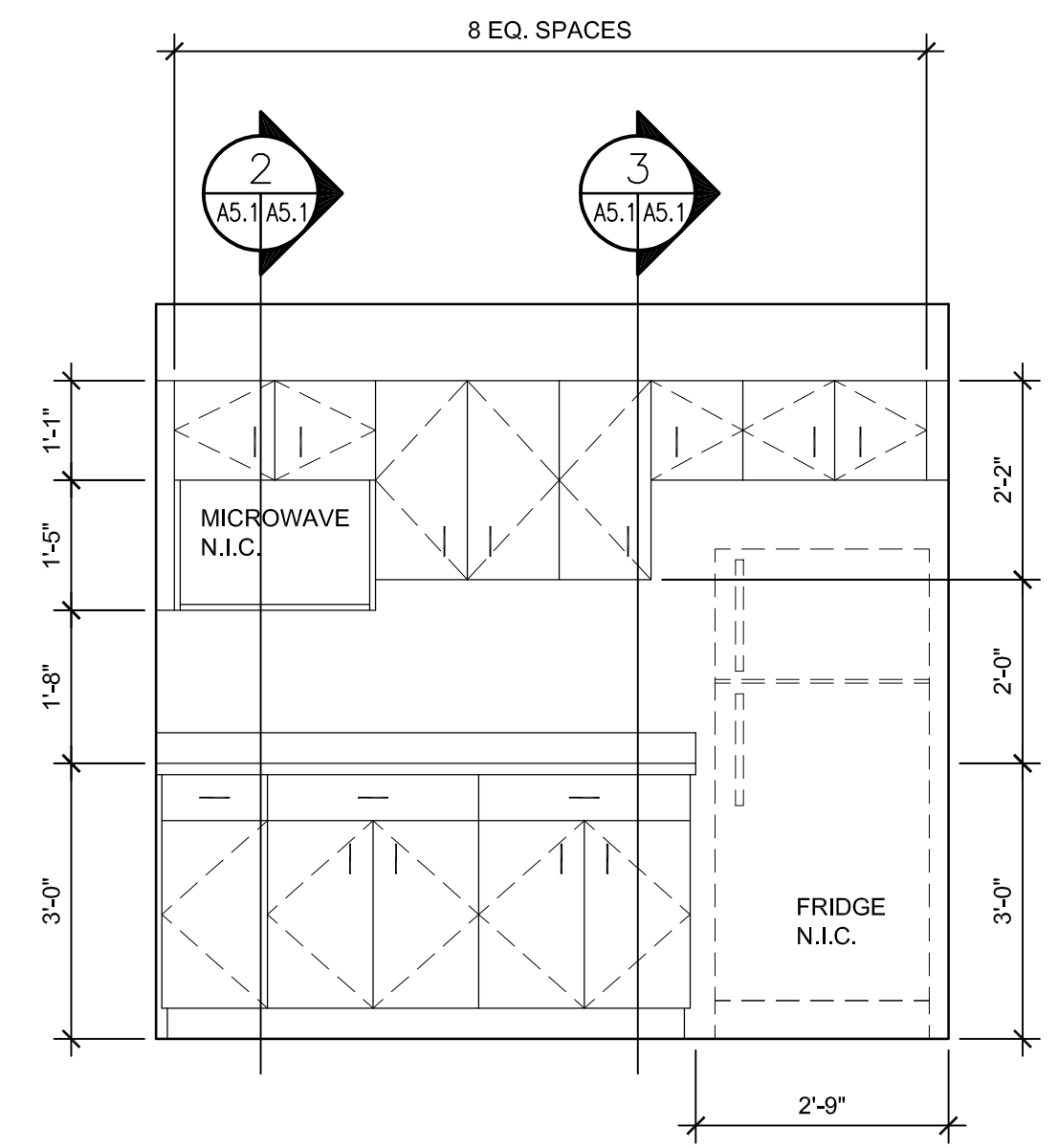


3 MILLWORK ELEVATION
 A2.2/A5.1 SCALE: 1/2" = 1'-0"



4 MILLWORK ELEVATION
 A2.2/A5.1 SCALE: 1/2" = 1'-0"

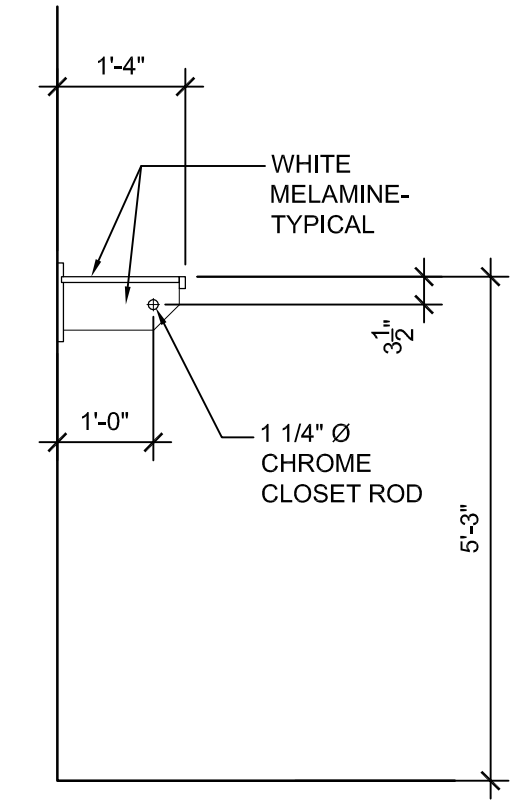
MILLWORK CONSTRUCTION

BACKS: 1/4" TEMPERED MASONITE - WHITE
 TOPS: 3/4" PLYWOOD
 SIDES: 3/4" PLYWOOD
 SHELVES: 5/8"
 DRAWER: 5/8"
 DRAWER FLOOR: 3/4" PLYWOOD

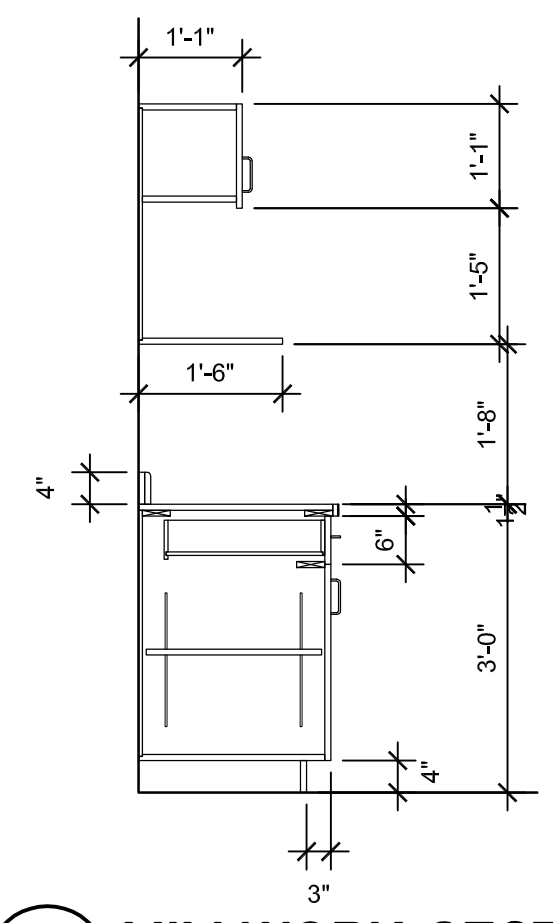
PLASTIC LAMINATE ON ALL EXPOSED SURFACES

HINGES: ST-TOOL EUROPEAN
 DRAWER SLIDER: ST-TOOL
 PULLS: ST-TOOL D-PULLS

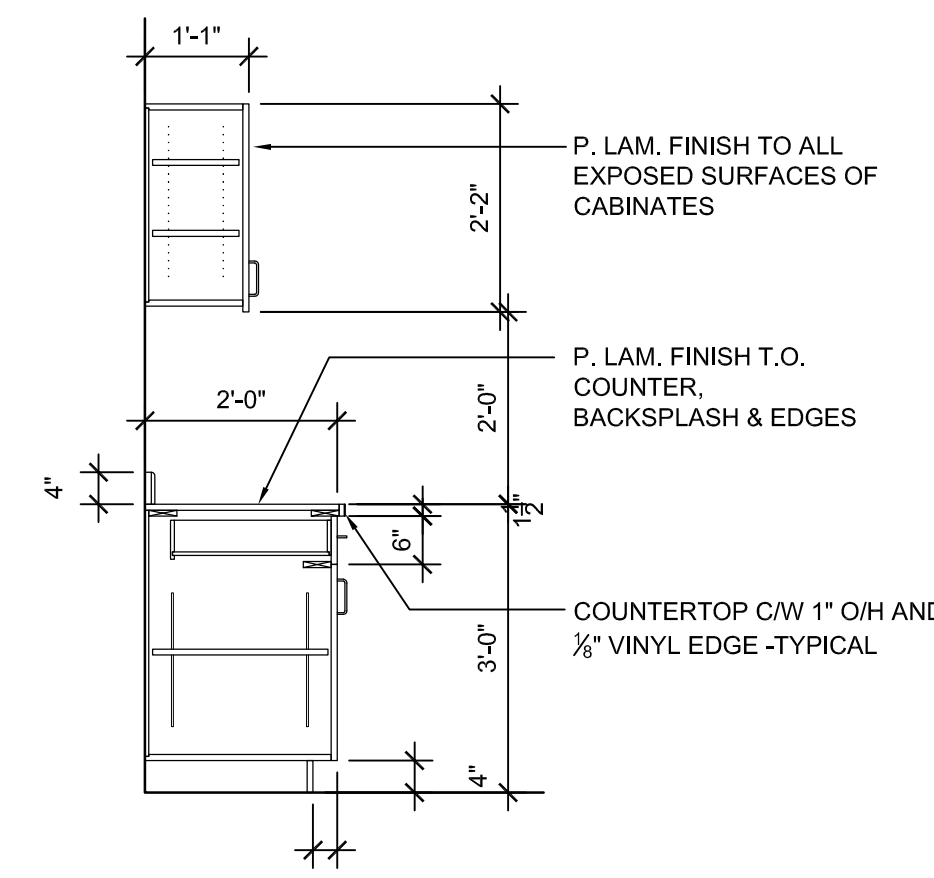
COUNTER EDGING: 3mm VINYL
 BASE: 4" CARPET



1 MILLWORK SECTION
 A5.1/A5.1 SCALE: 1/2" = 1'-0"



2 MILLWORK SECTION
 A5.1/A5.1 SCALE: 1/2" = 1'-0"



3 MILLWORK SECTION
 A5.1/A5.1 SCALE: 1/2" = 1'-0"



REV	DESCRIPTION	DATE	BY
4	REVISED FOR TENDER	Jul 26, 2006	LK
3	ISSUED FOR TENDER	Jul 20, 2006	LK
2	ISSUED FOR TENDER	Jul 10, 2006	LK
1	ISSUED FOR TENDER REVIEW	May 16, 2006	LK
0	ISSUED FOR REVIEW	Aug 01, 2005	NC

SEAL: _____ SEAL: _____

THIS DRAWING MUST NOT BE SCALED.
 THE CONTRACTOR SHALL VERIFY ALL DIMENSIONS, DATUMS AND LEVELS PRIOR TO COMMENCEMENT OF WORK AND IS HELD RESPONSIBLE FOR REPORTING ANY DISCREPANCY OR OMISSION TO THE CONTRACT ADMINISTRATOR IMMEDIATELY.
 THIS DRAWING IS THE EXCLUSIVE PROPERTY OF NEIL COOPER ARCHITECT INC. AND CAN BE REPRODUCED ONLY WITH THE PERMISSION OF NEIL COOPER ARCHITECT INC. IN WHICH CASE THE REPRODUCTION MUST BEAR THEIR NAME AS THE ARCHITECTURAL FIRM.

MILLWORK ELEVATIONS AND SECTIONS

PROJECT: **ADDITION TO 770 ROSS AVENUE**

Winnipeg, Manitoba

Neil Cooper Architect Inc.
 10-395 Berry Street, Winnipeg, Manitoba R3J 1N6

DRAWN BY: IC	CHECKED BY:	SHEET NO: A5.1 R4	REV NO:
DATE: APRIL 01, 2006			
SCALE: AS NOTED			
FILE: 06013/Cont Doc/Cont Dwgs/Arch Dwgs/A5.1R4.dwg			