



REV	DESCRIPTION	DATE	BY
4	REVISED FOR TENDER	Jul 26, 2006	LK
3	ISSUED FOR TENDER	Jul 20, 2006	LK
2	ISSUED FOR TENDER	Jul 10, 2006	LK
1	ISSUED FOR TENDER REVIEW	May 16, 2006	LK
0	ISSUED FOR REVIEW	Aug 01, 2005	NC

SEAL:	SEAL:
-------	-------

THIS DRAWING MUST NOT BE SCALED.  
 THE CONTRACTOR SHALL VERIFY ALL DIMENSIONS, DATUMS AND LEVELS PRIOR TO COMMENCEMENT OF WORK AND IS HELD RESPONSIBLE FOR REPORTING ANY DISCREPANCY OR OMISSION TO THE CONTRACT ADMINISTRATOR IMMEDIATELY.  
 THIS DRAWING IS THE EXCLUSIVE PROPERTY OF NEIL COOPER ARCHITECT INC AND CAN BE REPRODUCED ONLY WITH THE PERMISSION OF NEIL COOPER ARCHITECT INC. IN WHICH CASE THE REPRODUCTION MUST BEAR THEIR NAME AS THE ARCHITECTURAL FIRM.

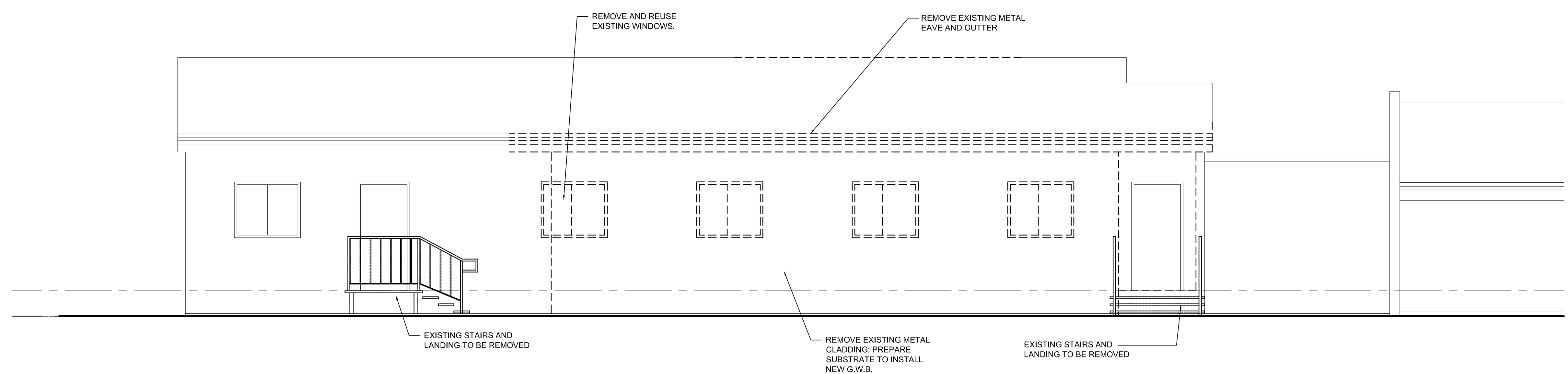
DRAWING:  
**EXTERIOR ELEVATIONS**

PROJECT:  
**ADDITION TO  
 770 ROSS AVENUE**

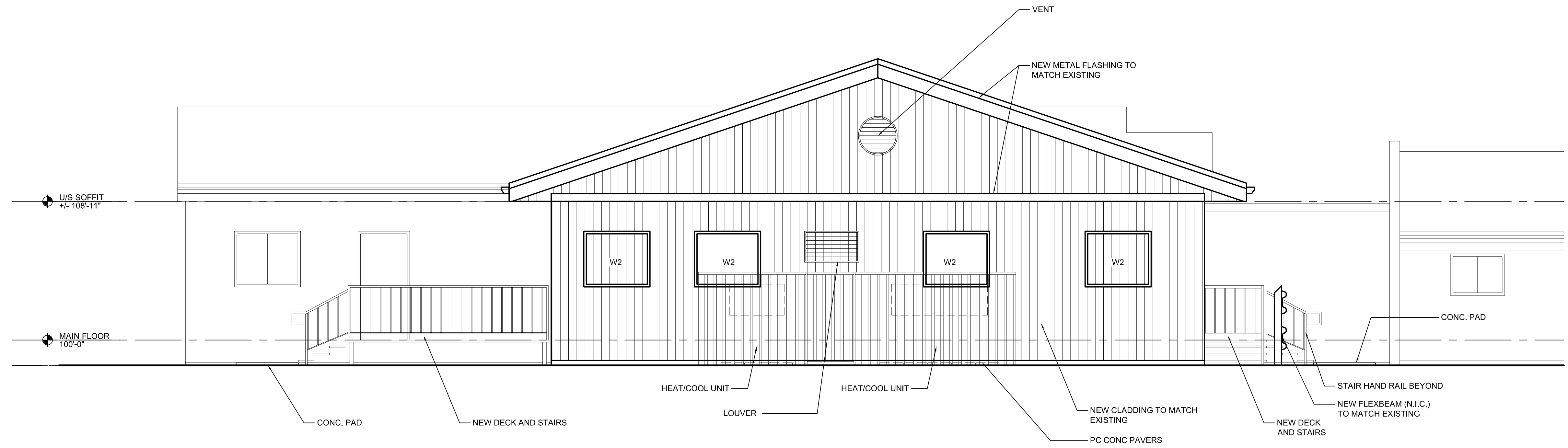
Winnipeg, Manitoba

Neil Cooper Architect Inc.  
 10-395 Berry Street, Winnipeg, Manitoba R3J 1N6

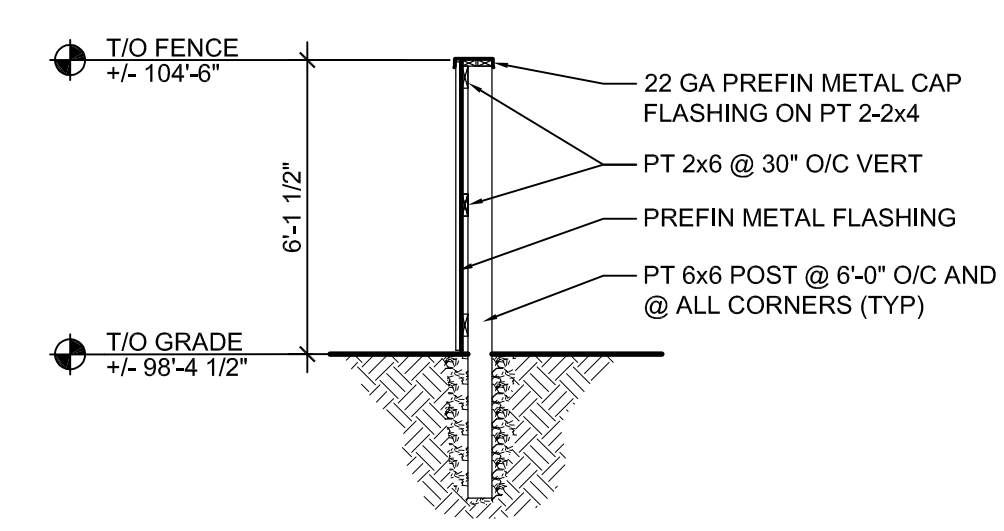
DRAWN BY: IC	CHECKED BY:	SHEET NO: <b>A31R4</b>	REV NO:
DATE: APRIL 01, 2006			
SCALE: AS NOTED			
FILE: 06013/Cont Doc/Cont Dwgs/Arch Dwgs/A3.2R4.dwg			



**1 DEMOLITION SOUTH ELEVATION**  
 SCALE: 1/4" = 1'-0"



**2 SOUTH ELEVATION**  
 SCALE: 1/4" = 1'-0"



**3 FENCE SECTION**  
 SCALE: 1/4" = 1'-0"