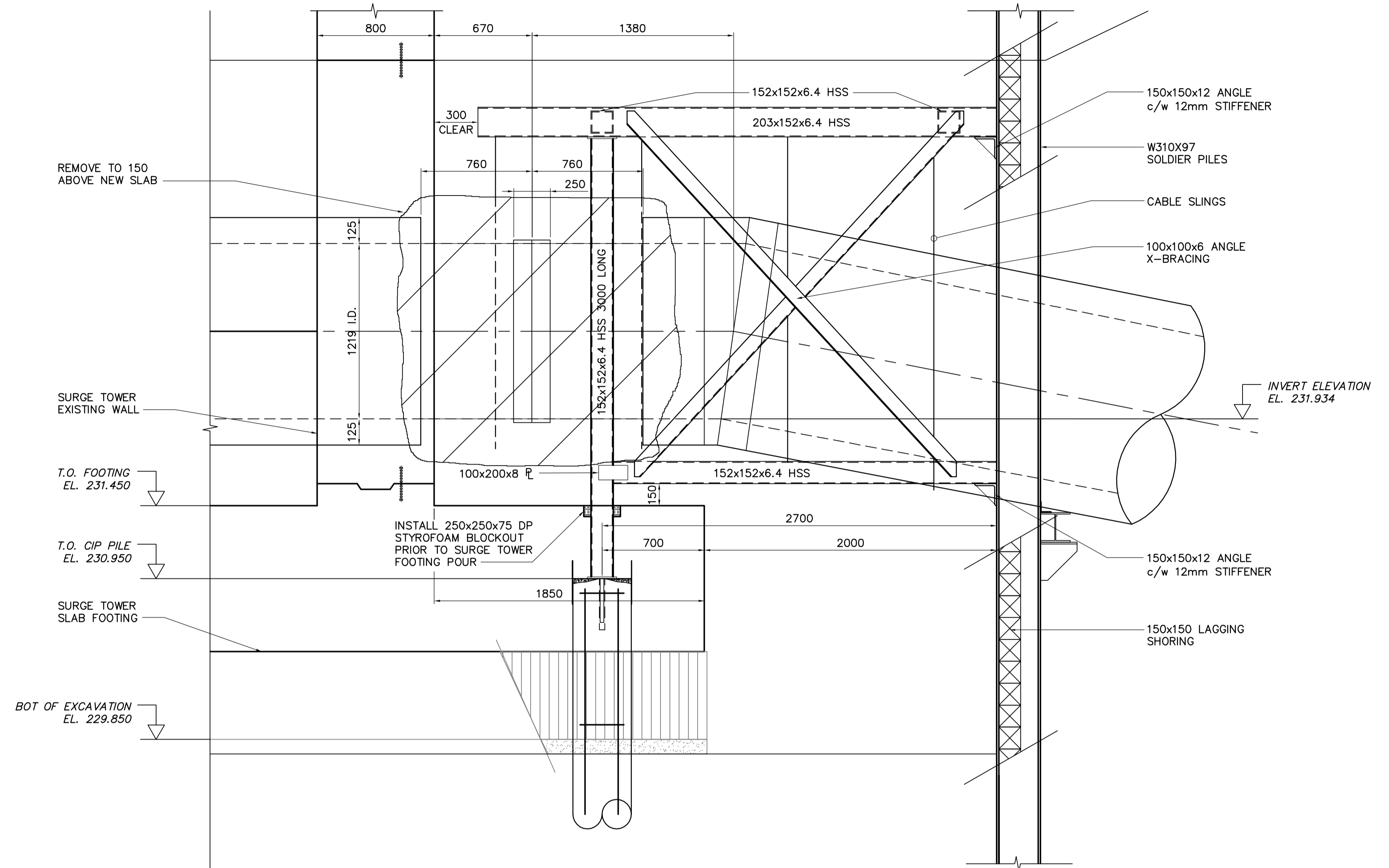
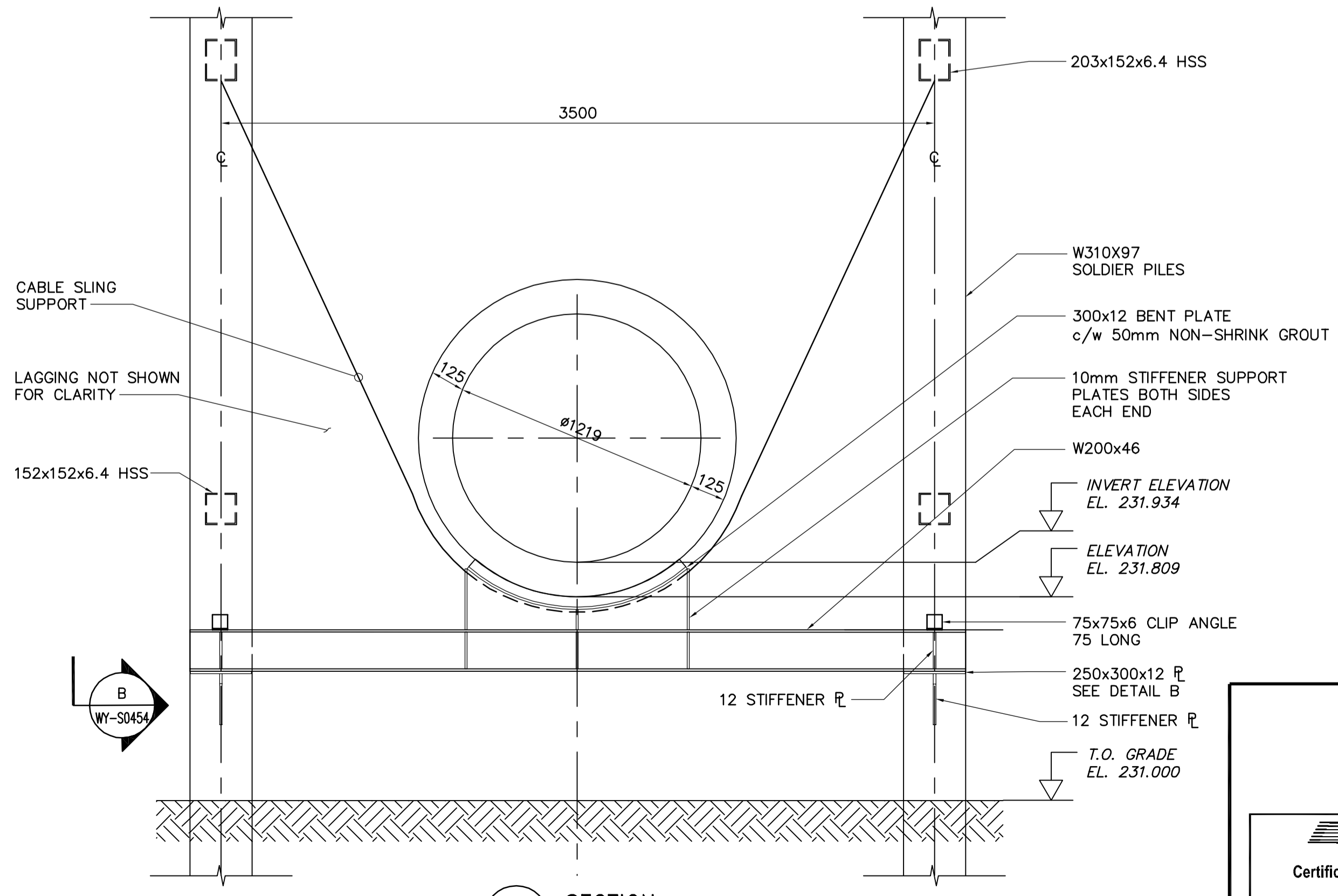


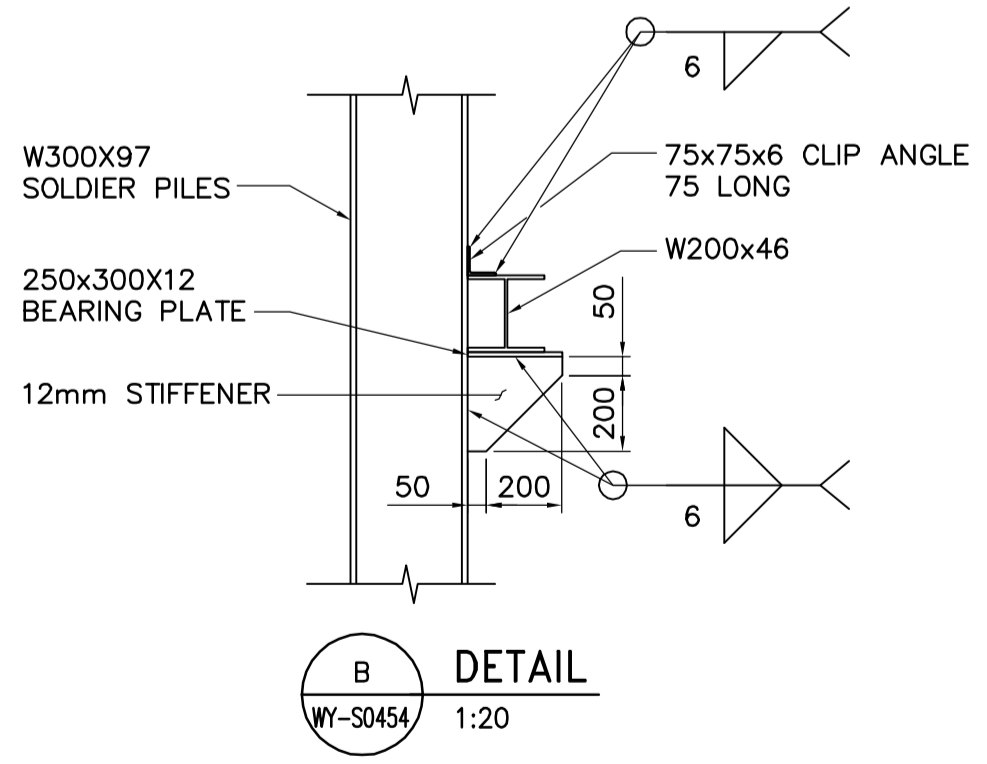
**A** DETAIL  
WY-50452 1:20  
NOTE: CABLE SLINGS = 8 TONNE CAPACITY



**2** SECTION  
WY-50454 1:20



**1** SECTION  
WY-50454 1:20



**B** DETAIL  
WY-50454 1:20

<p><b>APEGM</b> Certificate of Authorization Earth Tech Canada Inc. No. 730 Expiry: April 30, 2007</p>	B.M. ELEV.	<p>Frederickson Cooper ARCHITECTS</p>	<p>EarthTech A Tech International Ltd. Company</p>	ENGINEER'S SEAL	<p><b>THE CITY OF WINNIPEG</b> WATER AND WASTE DEPARTMENT ENGINEERING DIVISION</p>	
				DESIGNED BY: FK		CHECKED BY: GGP
		DRAWN BY: GGP \ KK	APPROVED BY: AHL	2006/05/03		WATER TREATMENT PLANT YARD PIPING AND VALVE CHAMBERS SURGE TOWER CONSTRUCTION
	OO ISSUED FOR TENDER 06/05/03 KK	SCALE: AS NOTED	RELEASED FOR CONSTRUCTION BY: R. SOROKOWSKI	CONSULTANT DRAWING NO. WY-S0454		CITY FILE NUMBER SHEET OF CITY DRAWING NUMBER 1-0601Y-A-S0454-001-000