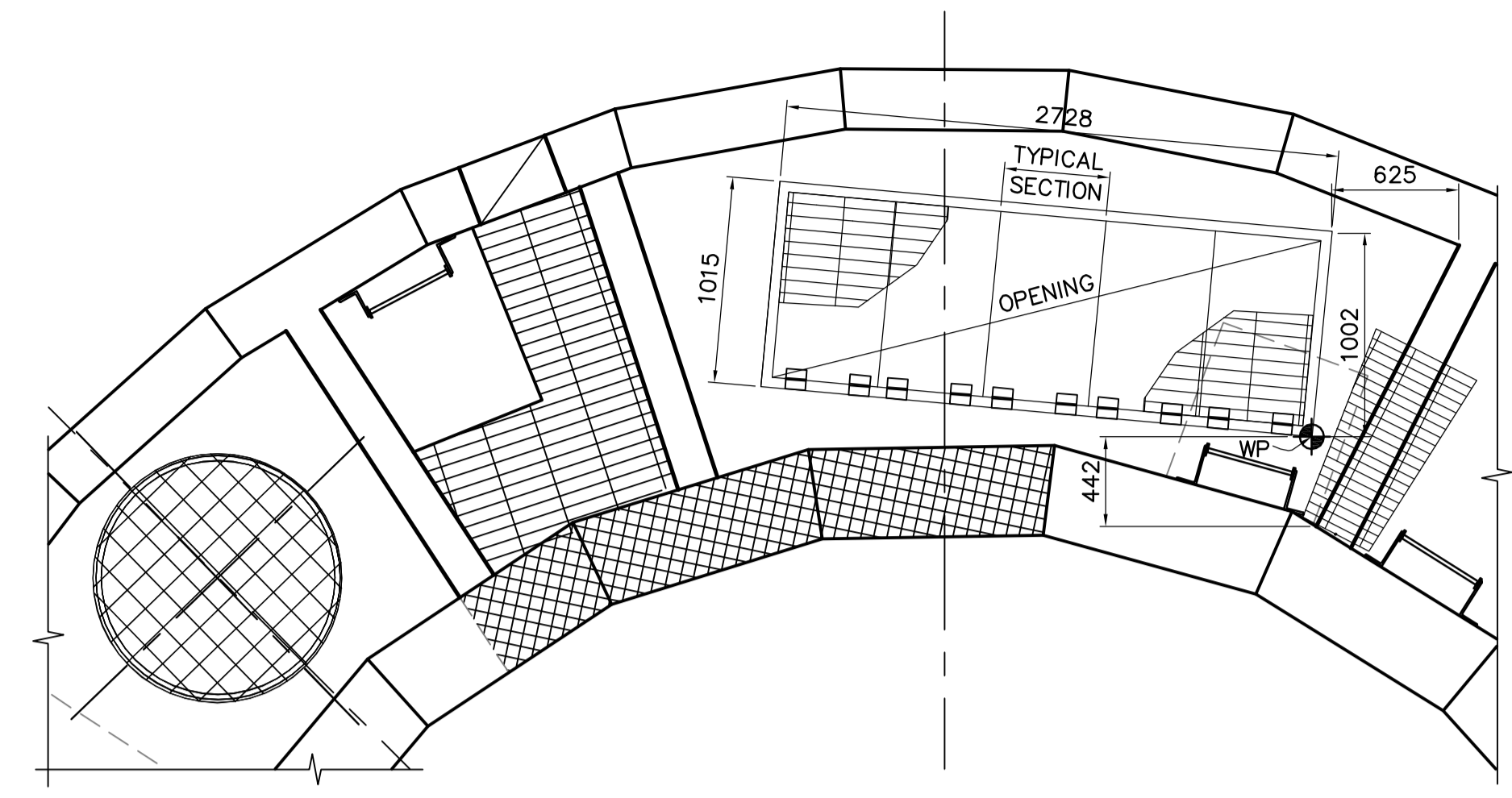


INTERMEDIATE PLAN

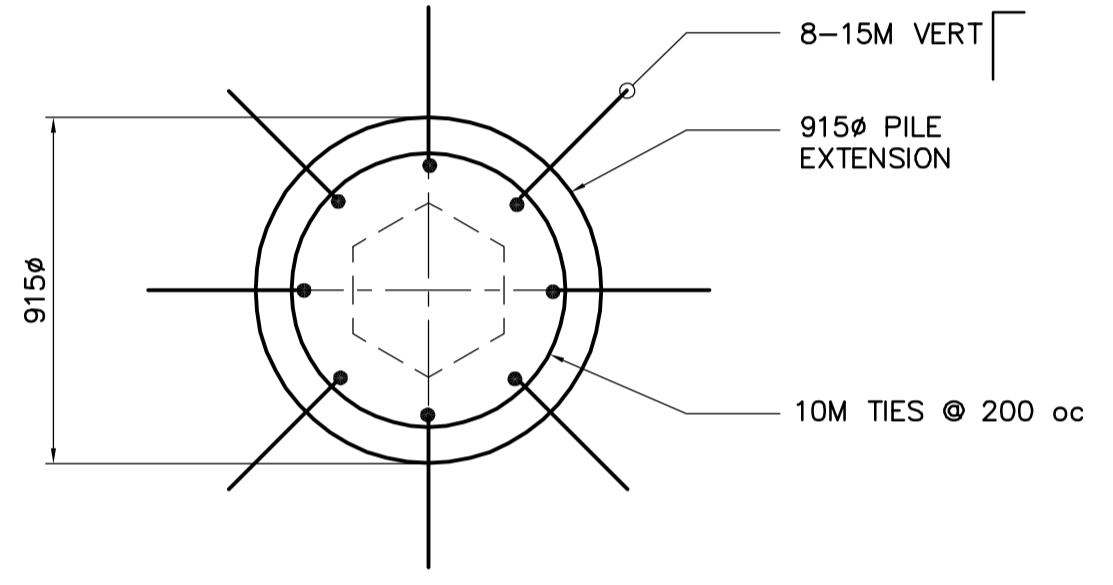
1:75

NOTE:
1. ALL RADIUS MEASURED TO CHORD POINTS



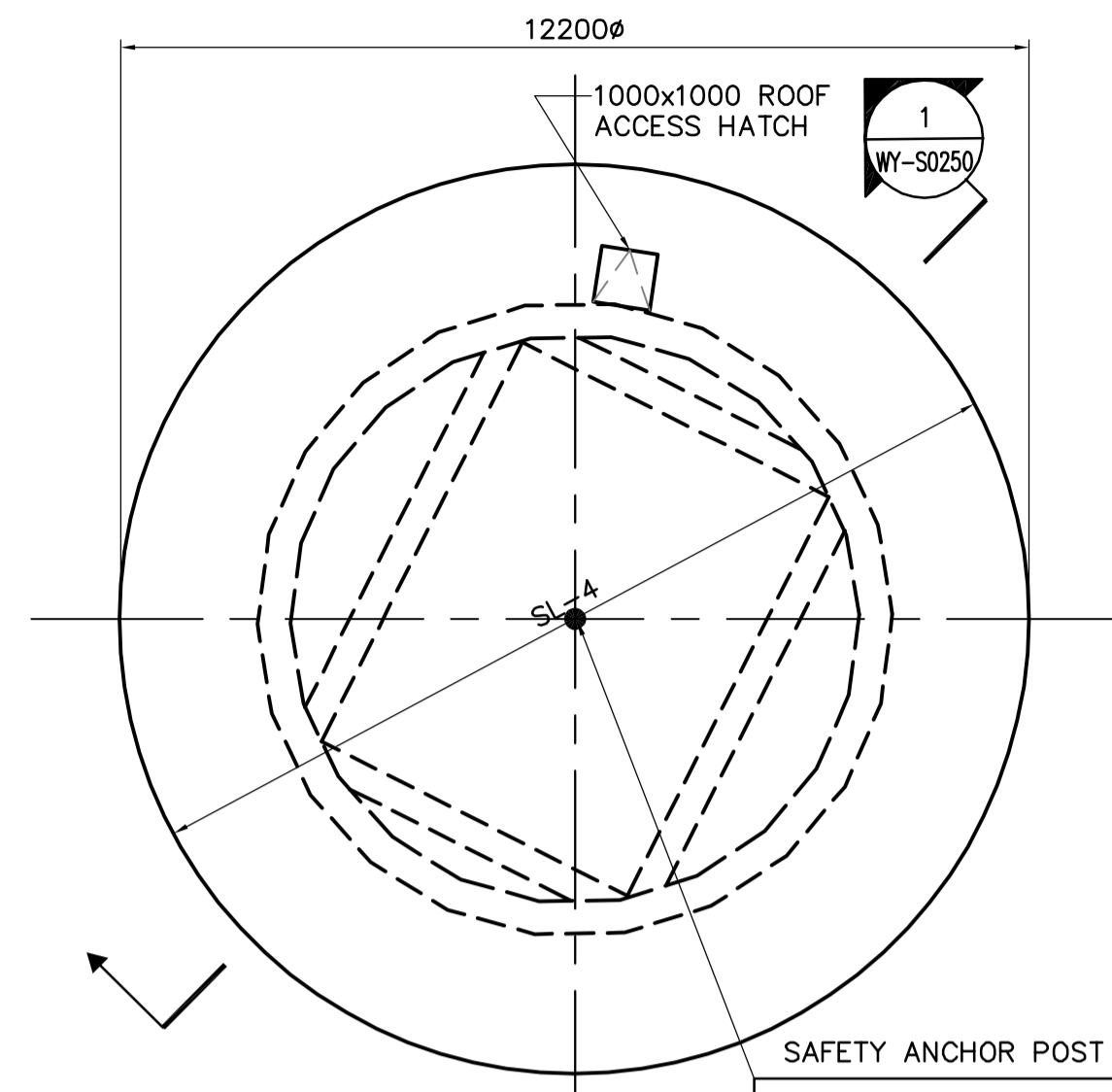
AIR RELIEF PLAN DETAIL

1:30



PILE EXTENSION DETAIL

N.T.S.



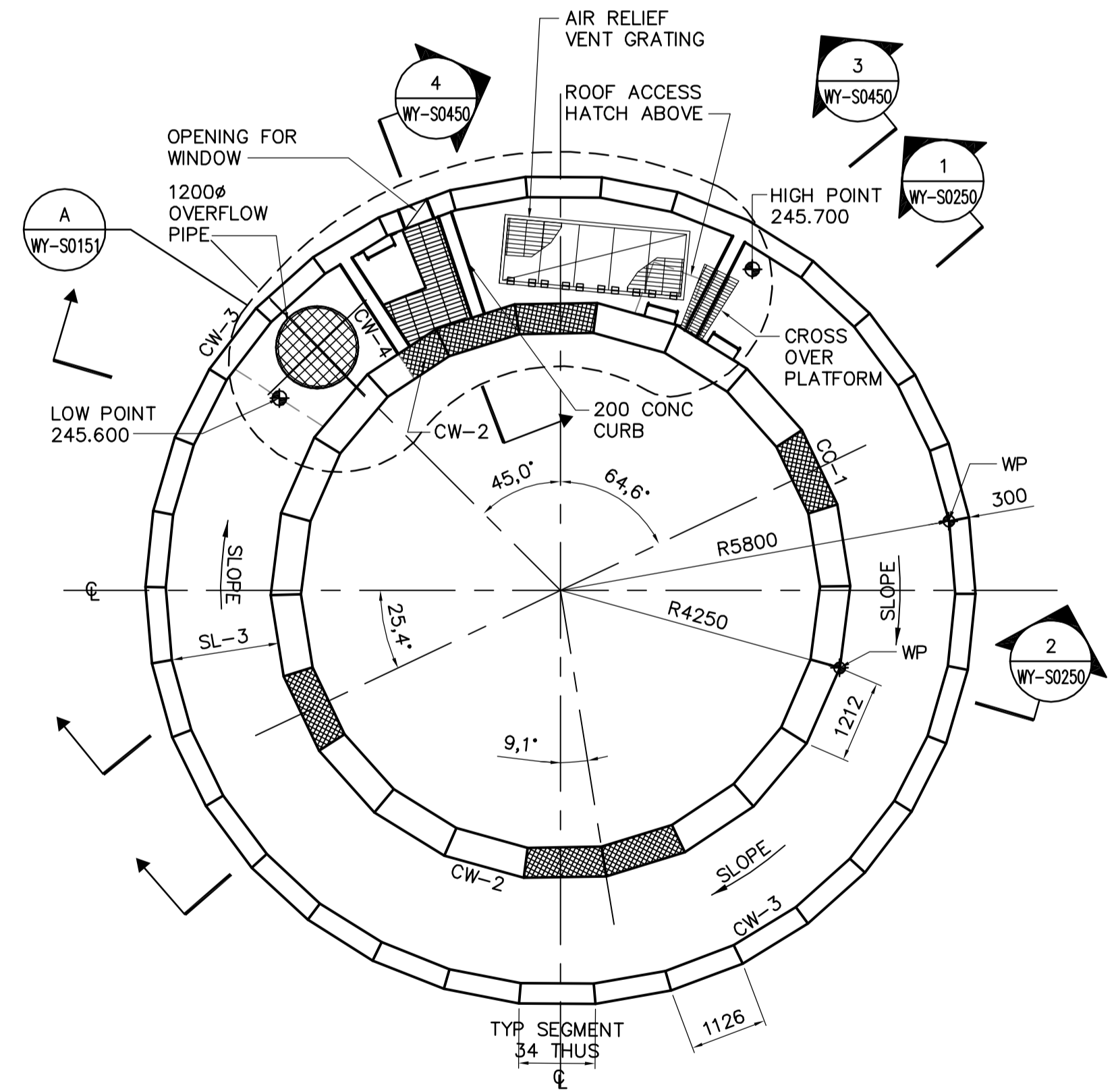
ROOF PLAN

1:75

SAFETY ANCHOR POST (AN777A) REFER TO SPECIFICATIONS

NOTE:
1. ANCHOR POST MUST BE USED FOR TIE-OFF BY ANY WORKER ON THE ROOF.
2. ANCHOR POST IS DESIGNED FOR MAX. OF ONE (1) WORKER AT ANY ONE TIME.
3. ALL PERSONS USING THE FALL PROTECTION SYSTEM MUST BE EQUIPPED WITH A FULL BODY HARNESS, A LANYARD COMPLETE WITH A SHOCK ABSORBER (FIXED LENGTH 3.0M*) AND A ROOFER'S KIT (FIXED LENGTH LINE 3.3M*) SUPPLIED BY THE CITY.
4. EQUIPMENT MUST BE INSTALLED AND USED AS PER MANUFACTURER'S INSTRUCTION. FAILURE TO DO SO COULD RESULT IN SERIOUS INJURY OR DEATH.

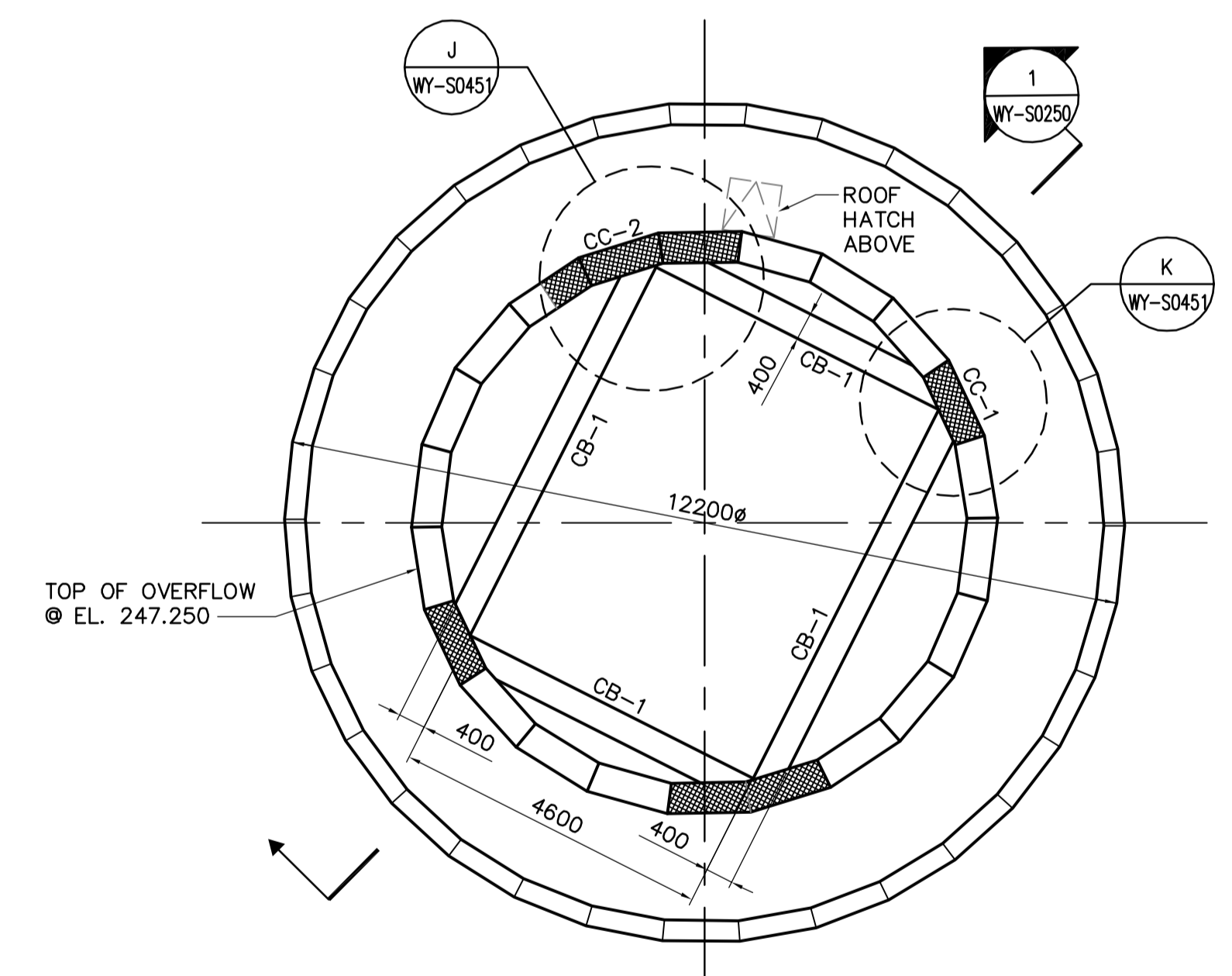
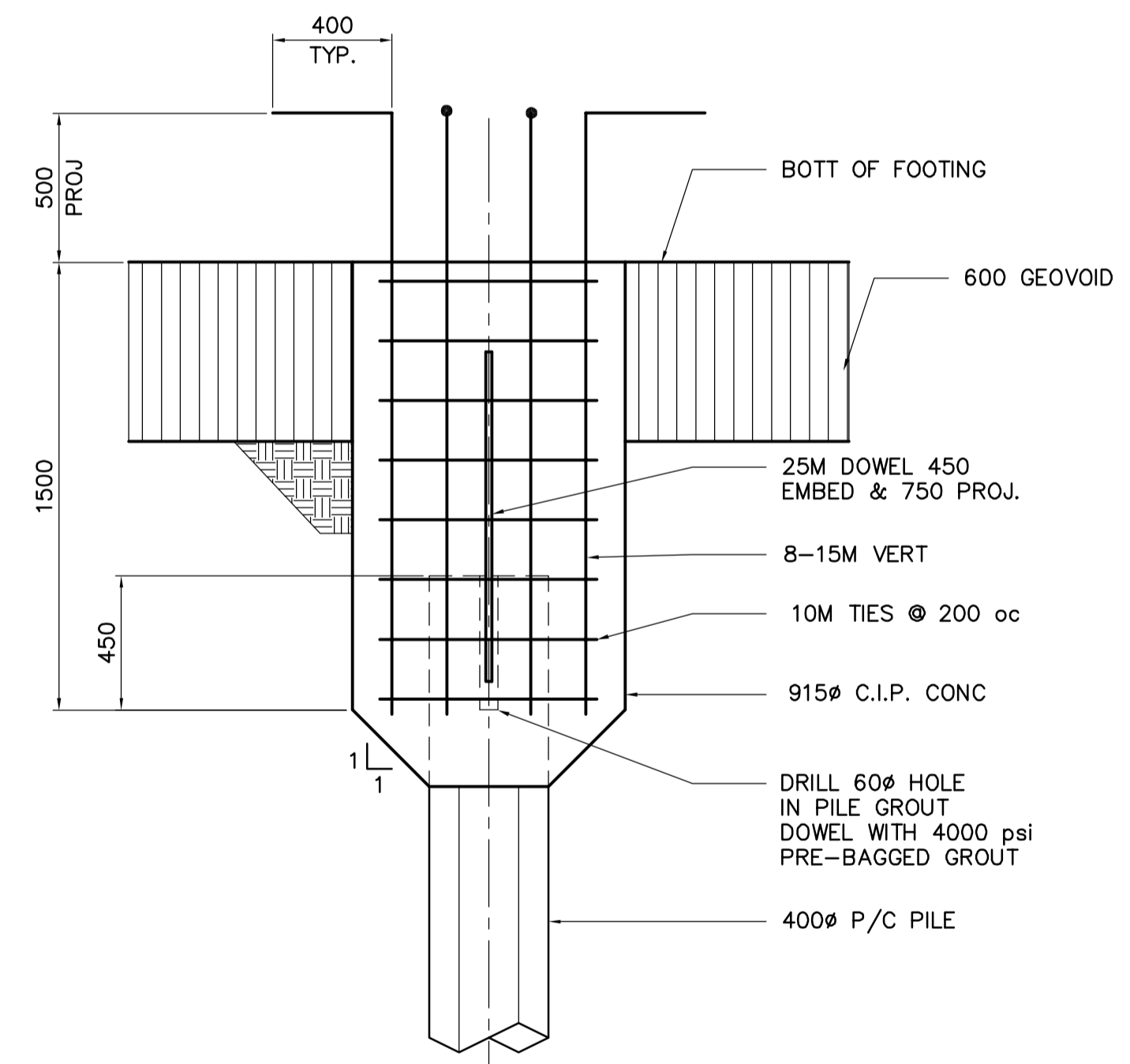
* MINOR ADJUSTMENTS TO FIXED LENGTHS MAY BE REQUIRED TO SUIT REQUIRED TRAVEL RESTRAINT DISTANCE; ONCE FIXED LENGTH IS ESTABLISHED, IT MUST NOT BE TAMPERED WITH.



AT OVERFLOW PLAN

1:75

NOTE:
1. ALL RADIUS MEASURED TO CHORD POINTS



ROOF BEAM PLAN

1:75

NOTE:
1. ALL RADIUS MEASURED TO CHORD POINTS

<p>APEGM Certificate of Authorization Earth Tech Canada Inc. No. 730 Expiry: April 30, 2007</p>	B.M. ELEV.	<p>Frederickson Cooper ARCHITECTS</p>	<p>EarthTech A Tyco International Ltd. Company</p>	ENGINEER'S SEAL	<p>THE CITY OF WINNIPEG WATER AND WASTE DEPARTMENT ENGINEERING DIVISION</p>	
	DESIGNED BY			DESIGNED BY		ORIGINAL SIGNED BY
	DRAWN BY			DRAWN BY		F.A. KEMP
	SCALE:			SCALE:		2006/05/03
ISSUED FOR TENDER	ISSUED FOR TENDER	RELEASED FOR CONSTRUCTION BY:	CONSULTANT DRAWING NO.	<p>WATER TREATMENT PLANT YARD PIPING AND VALVE CHAMBERS SURGE TOWER CONSTRUCTION</p>	CITY FILE NUMBER	
NO. REVISIONS	NO. REVISIONS	R. SOROKOWSKI	WY-S0151	STRUCTURAL INTERMEDIATE, ROOF, ROOF BEAM AT OVERFLOW PLAN	SHEET OF	
DATE	DATE	DATE	DATE		CITY DRAWING NUMBER	
06/05/03	06/05/03	2006/02/08	2006/05/03		1-0601Y-A-S0151-001-000	