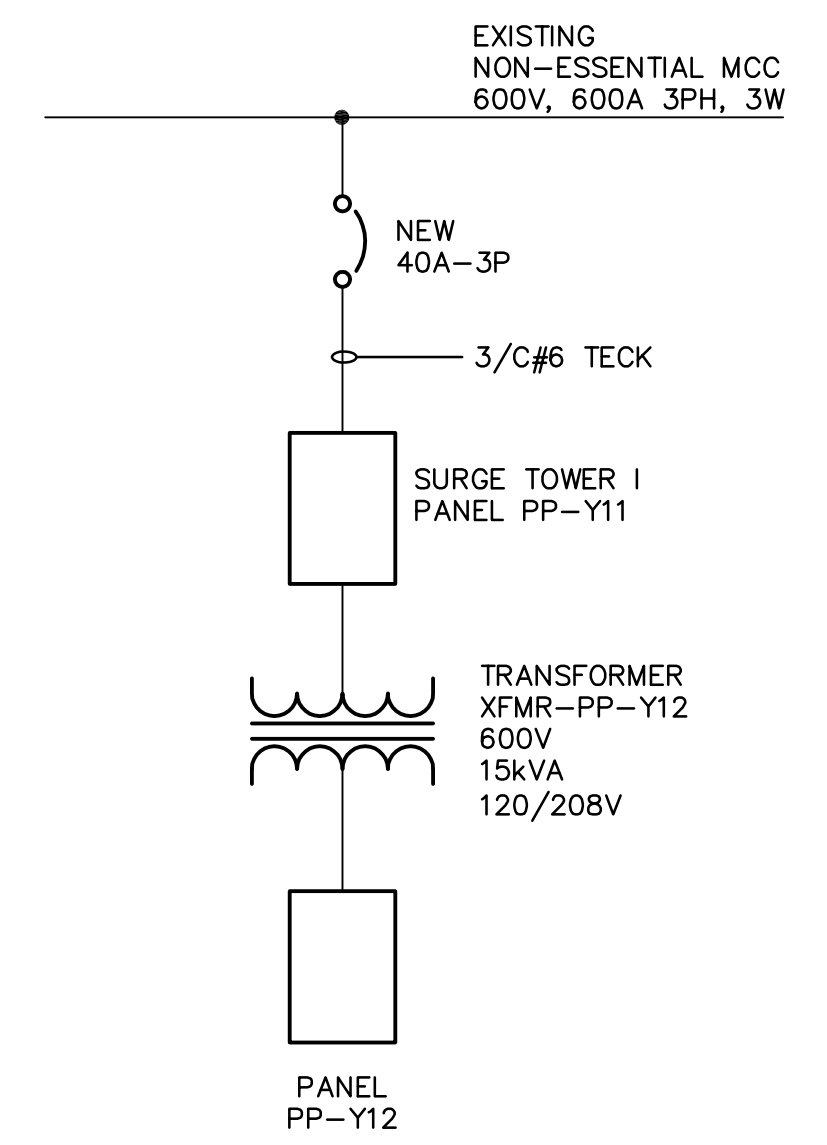


**SITE PLAN**  
SCALE: 1:250

**NOTES:**

- APPROXIMATE LOCATION OF EXISTING ELECTRICAL SERVICE CABLE FOR EXISTING TRAILER TO BE RELOCATED. DISCONNECT CABLE AT SUPPLY END.
- TERMINATE 6PR #16 SHIELDED INSTRUMENTATION TECK AND 15/C #14 TECK FROM TJB-Y11 IN TJB-Y21.
- TERMINATE 4/C #14 TECK IN MAIN CONTROL PANEL.
- PROVIDE SUFFICIENT CABLE IN DRV-305 FOR CONNECTION OF VALVE ACTUATOR AND FLOOD SWITCH. FINAL TERMINATION BY OTHERS. PROTECT CABLE FROM DAMAGE DUE TO WET ENVIRONMENT.

LUMINAIRE SCHEDULE							
Type	Manufacturer	Catalogue No.	Voltage	No.	Type	Mounting	Remarks
1	Cooper Lighting	MPEH-R22-PL-250-120V-FL-1-PHC-TPPH-120V c/w 250W MH Lamp	120	1	250W MH	Pendant Mounted	Provide safety chain option "SC"
2	Cooper Lighting	MPEH-R22-PL-250-120V-FL-1-PHC-TPPH-120V-Q c/w 250W MH Lamp & Aux. Quartz lamp	120	1	250W MH 100W Quartz	Pendant Mounted	Provide safety chain option "SC"
3	Cooper Lighting	ENV 150 MH 120 EB FTP BZ	120	1	150W HPS	Wall Mounted	Install 500mm above door frame
4	Cooper Lighting	IC VW 1 G	120	1	200W A21	Wall Mounted	
5	Lithonia Lighting	LV S BW 1 R 120 LDC12 CSA 4X	120		LED	Wall mounted	200mm above door frame
6	Lithonia Lighting	ELU4X-WL-2H1212-VM-LD	120V/	2	12V Halogen	Wall Mounted	Provide cabtire cable (1 metre) with twistlock receptacle
7			12V DC				
8	Lithonia Lighting	ELA-T-H1212	12V DC	2	12V Halogen	Wall Mounted	



**DBPS PARTIAL SINGLE LINE DIAGRAM**  
SCALE: NTS

PANEL SCHEDULE										
Panel PP-Y11										
DESCRIPTION	LOAD	BKR	CCT	A	B	C	CCT	BKR	LOAD	DESCRIPTION
TRANSFORMER XFMR-PP-Y12	15kVA	20	1	*			2	15A		Actuator Valve FV-Y011A
		3P	3		*		4	3P		
			5		*		6			
TVSS		30	7	*			8			
		3P	9	*			10			
			11		*		12			
		15	13	*			14			
		15	15	*			16			
Spare		15	17	*			18			
Spare		15	19	*			20	40A		Main Breaker
Space		-	21	*			22	3P		
Space		-	23	*			24			

Voltage: 600/347V/3Ø/3 wire Feeder: 3/C#6  
 Mains: 225A Main Breaker: 40A-3P  
 Location: Surge Tower Electrical Room Power Source: DBPS  
 Mounting: Surface

PANEL SCHEDULE										
Panel PP-Y12										
DESCRIPTION	LOAD	BKR	CCT	A	B	C	CCT	BKR	LOAD	DESCRIPTION
Lighting	1000W	15	1	*			2	15	2	Receptacle
Lighting	1200W	15	3	*			4	15	1	Receptacle
Lighting - Electrical Room	200W	15	5	*			6	15	2	Receptacle
Lighting - Exterior	300W	15	7	*			8	15		Spare
Air Relief Vent Grate Heating	600W	15	9	*			10	20	5kW	Electrical Room Heater
Air Relief Vent Grate Heating	400W	15	11	*			12	3P		3/C#12 Teck
Spare		15	13	*			14			
Spare		15	15	*			16	30		TVSS
Spare		15	17	*			18	3P		
Spare		15	19	*			20			
Space		-	21	*			22	-		Space
Space		-	23	*			24	-		Space

Voltage: 120/208V/3Ø/4 wire Feeder: 3/C#6  
 Mains: 225A Main Breaker: N/A  
 Location: Surge Tower Electrical Room Power Source: Transformer XFMR-PP-Y12  
 Mounting: Surface



B.M. ELEV.	
DESIGNED BY	BLM
CHECKED BY	PS
DRAWN BY	ERC
APPROVED BY	AHL
SCALE:	AS SHOWN
RELEASED FOR CONSTRUCTION BY:	R.SOROKOWSKI
DATE	2006/05/03
DATE	6/02/17
NO. REVISIONS	DATE BY
00	ISSUED FOR TENDER 06/05/03 ERC

**CH2MHILL**  
Frederickson Cooper ARCHITECTS

**EarthTech**  
A Johnson Controls Ltd. Company

ENGINEER'S SEAL  
ORIGINAL SIGNED BY  
B.L. MOORE  
2006/05/03

CONSULTANT DRAWING NO.  
WY-E0110

**THE CITY OF WINNIPEG**  
WATER AND WASTE DEPARTMENT  
ENGINEERING DIVISION

WATER TREATMENT PLANT  
YARD PIPING AND VALVE CHAMBERS  
SURGE TOWER CONSTRUCTION

ELECTRICAL  
SITE PLAN,  
SCHEDULES AND DETAILS

CITY FILE NUMBER  
SHEET OF  
CITY DRAWING NUMBER  
1-0601Y-A-E0110-001-00D