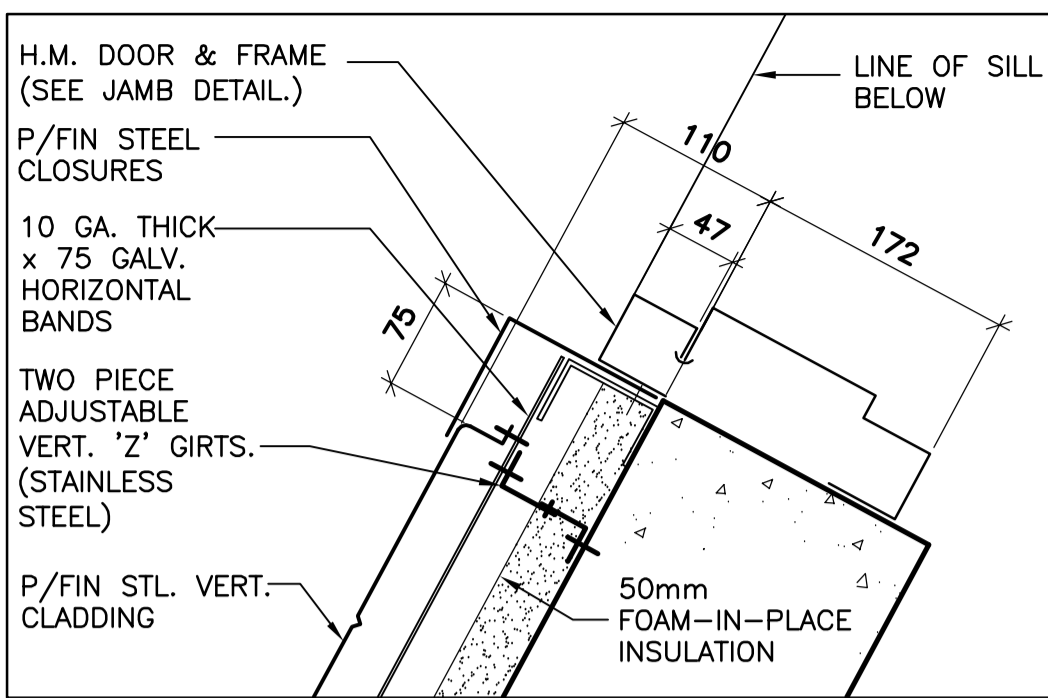
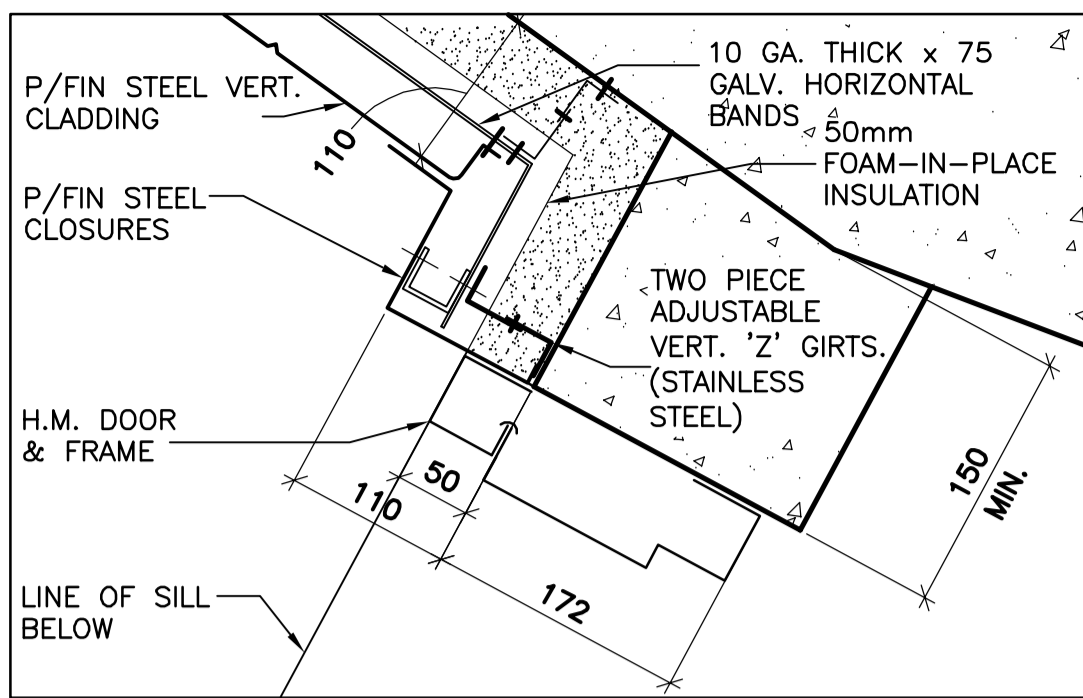


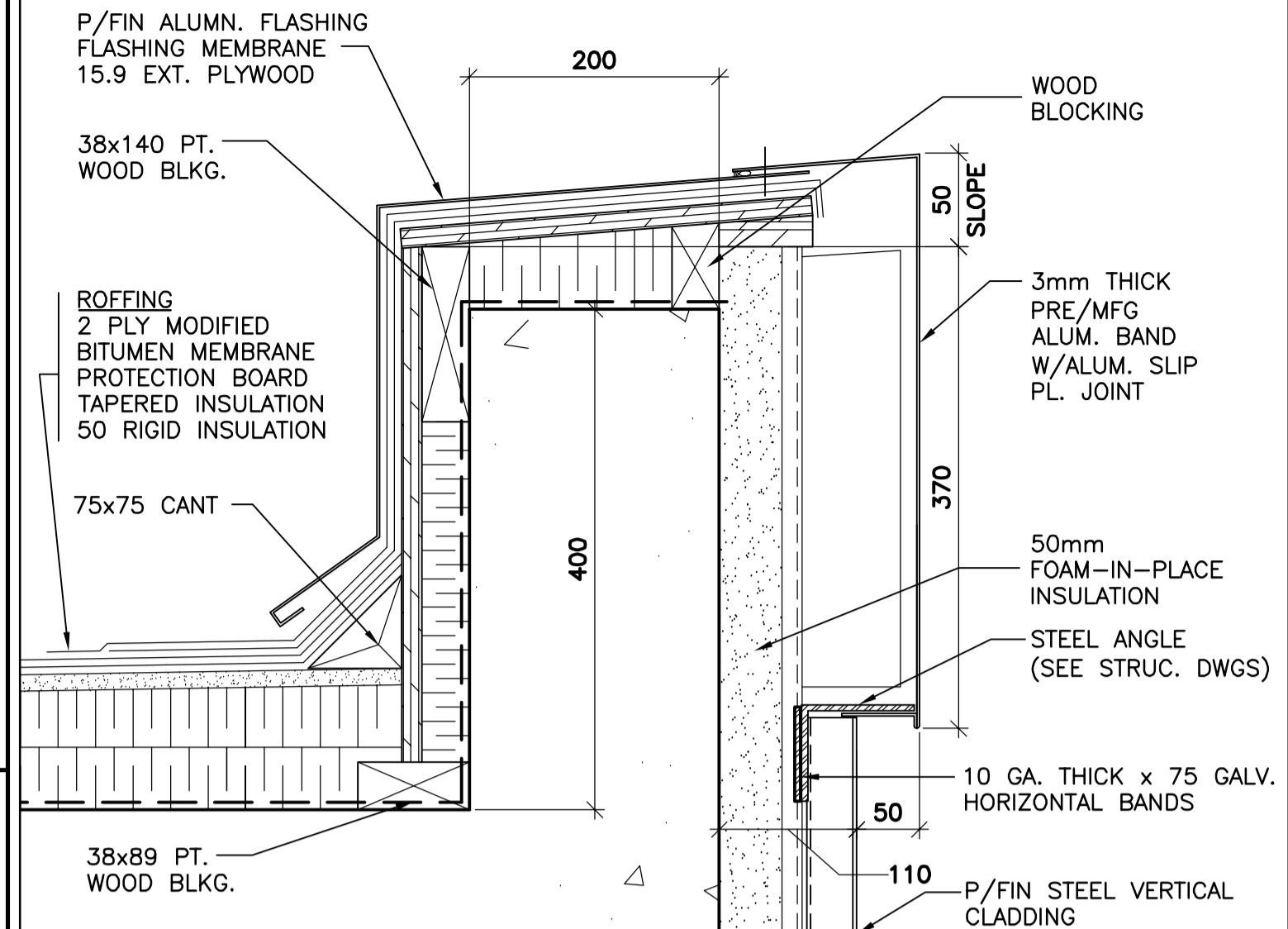
11 PLAN DETAIL
B0400 SCALE 1:5



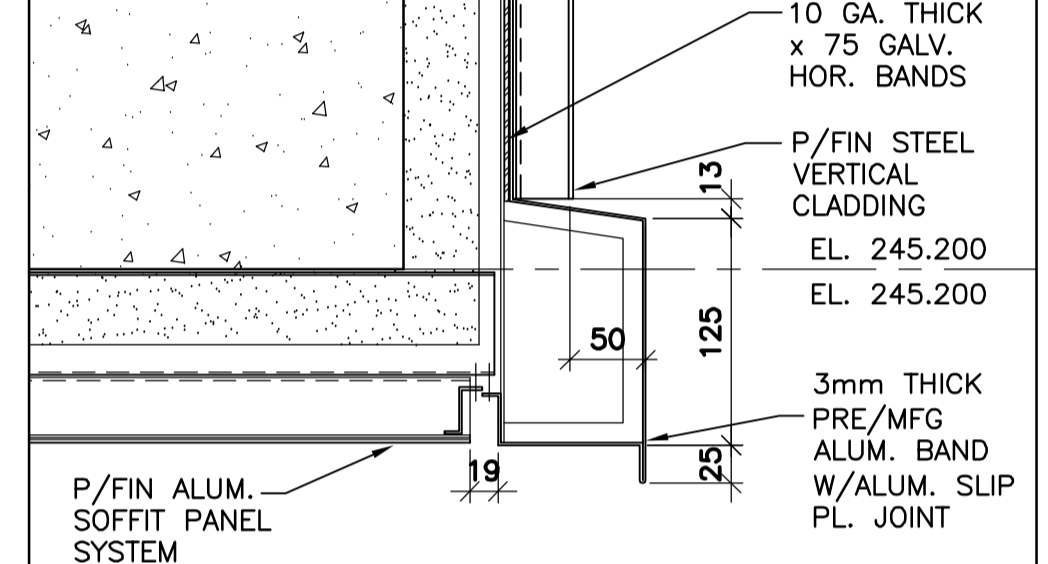
10 PLAN DETAIL
B0400 SCALE 1:5



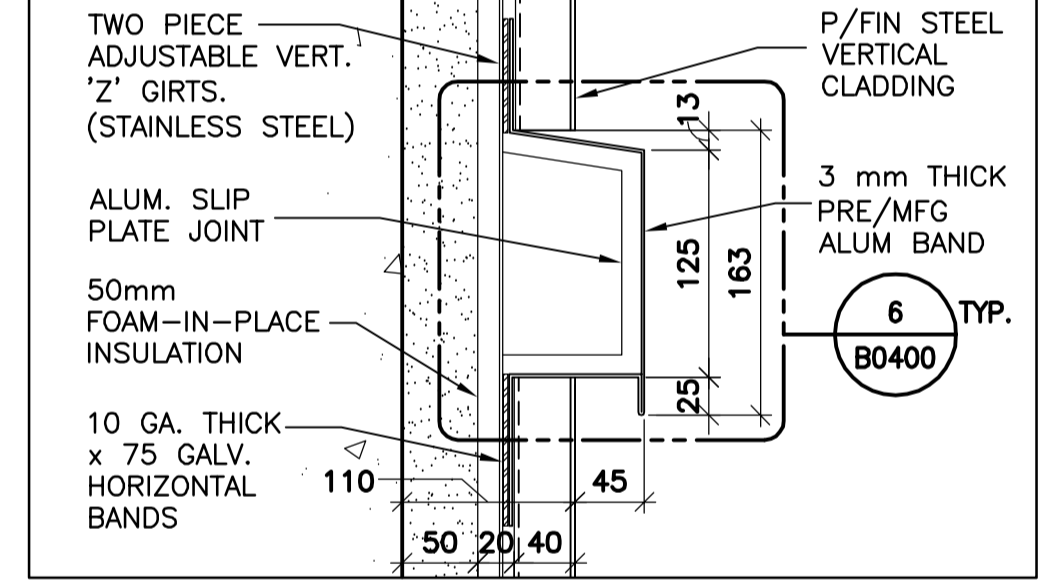
9 PLAN DETAIL
B0400 SCALE 1:5



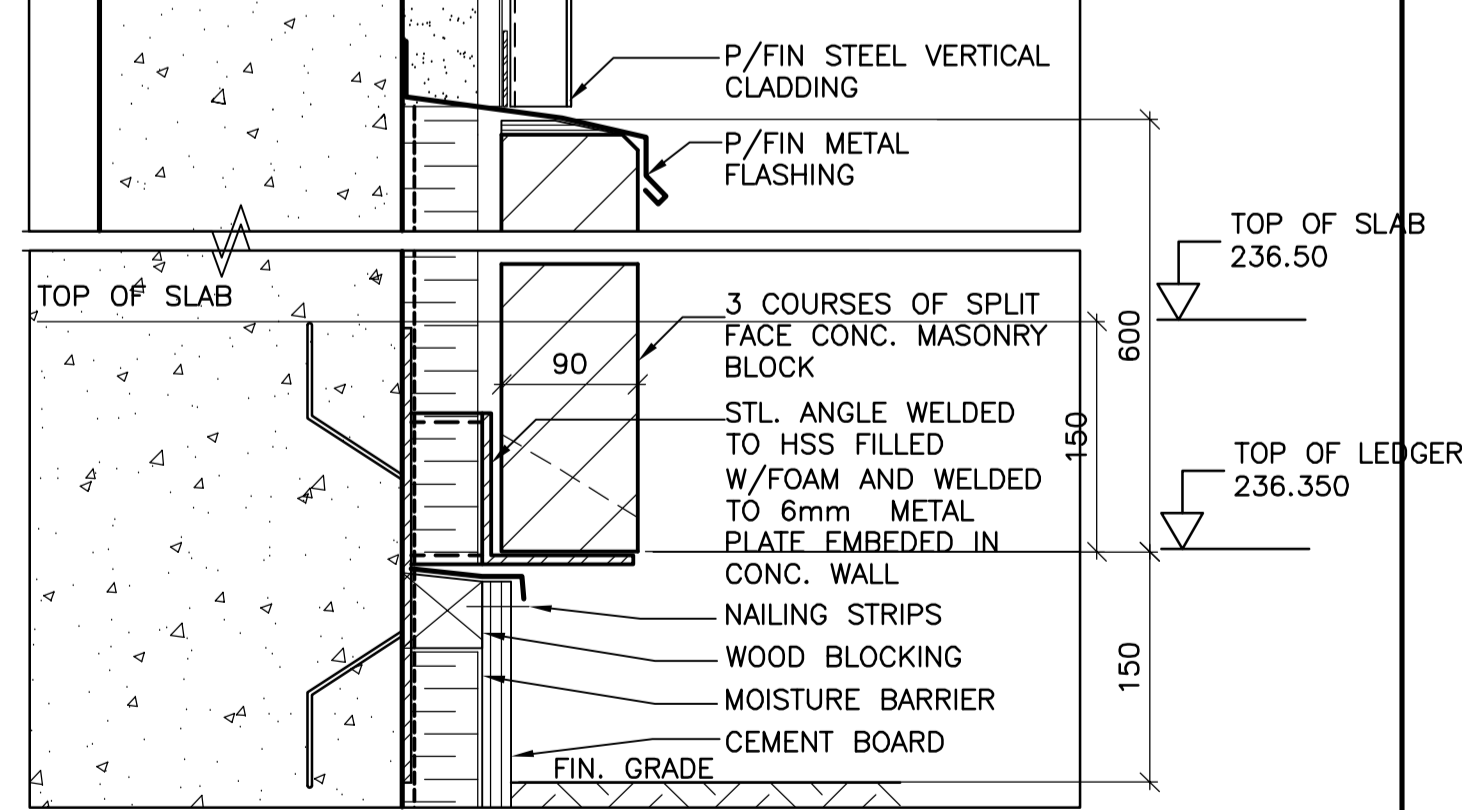
2 TYP. PARAPET DETAIL
B0400 SCALE 1:5



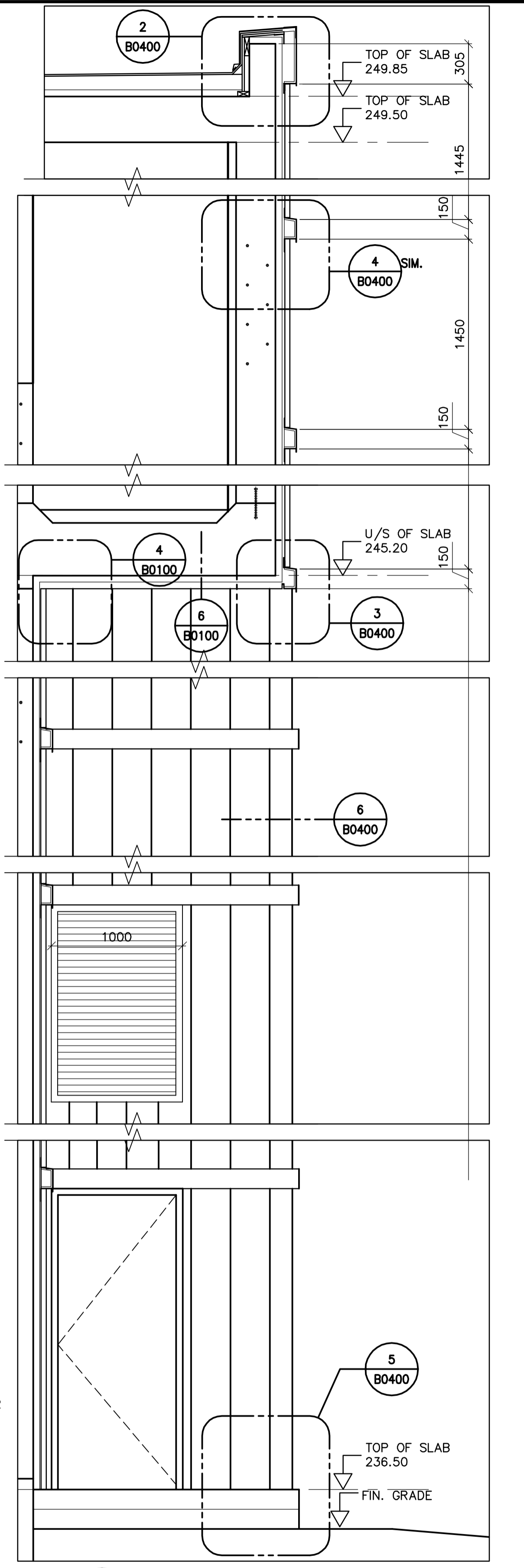
3 DETAIL
B0400 SCALE 1:5



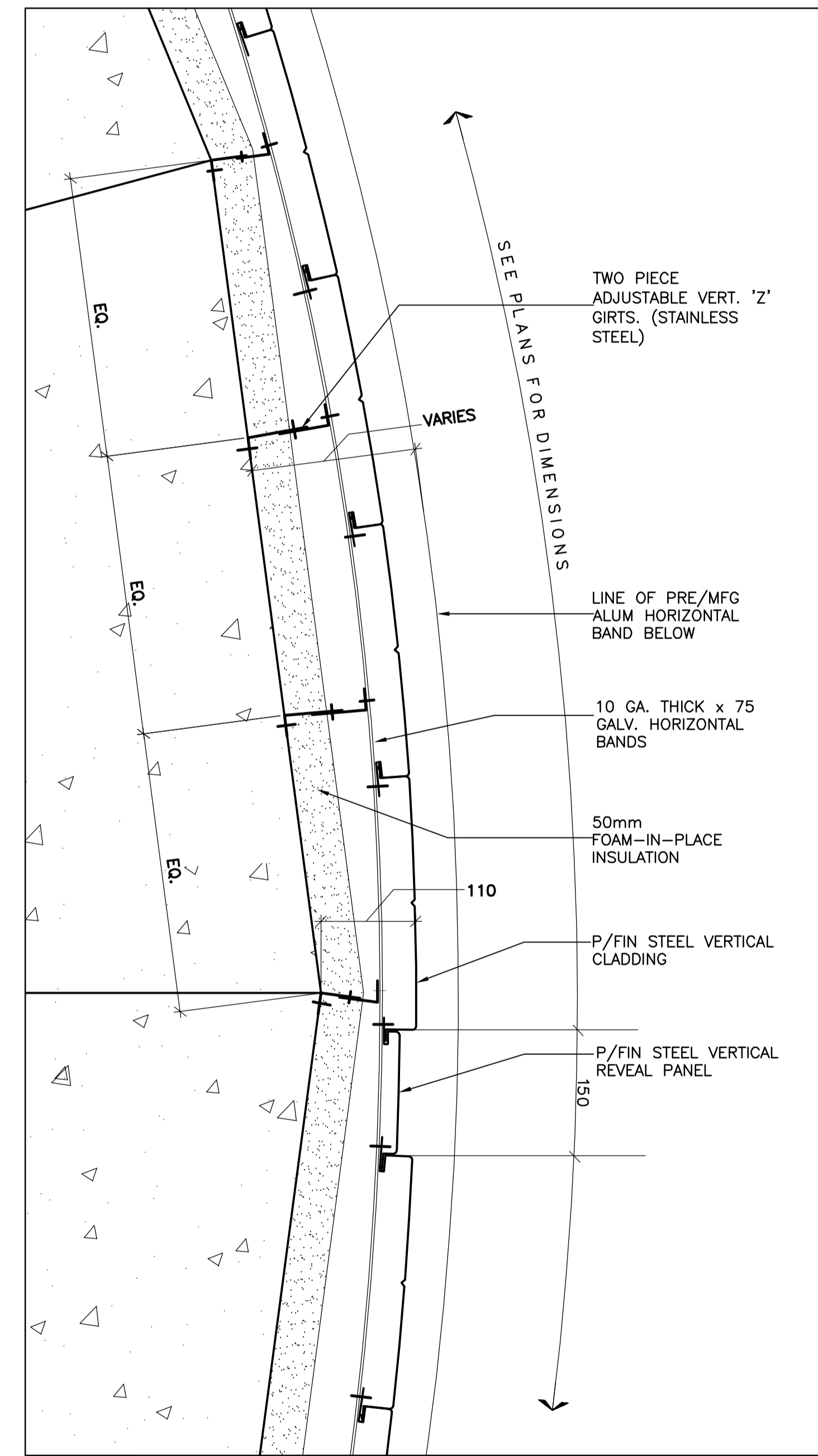
4 TYP. INTERMEDIATE BAND DETAIL SCALE 1:5



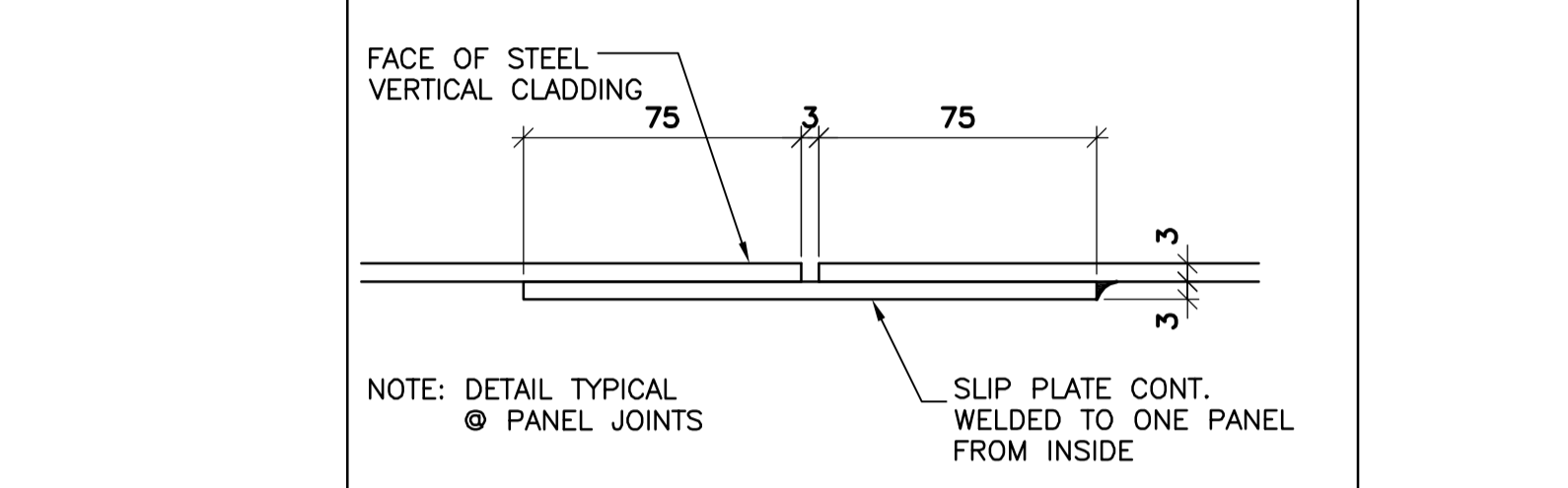
5 BASE END DETAIL
B0400 SCALE 1:5



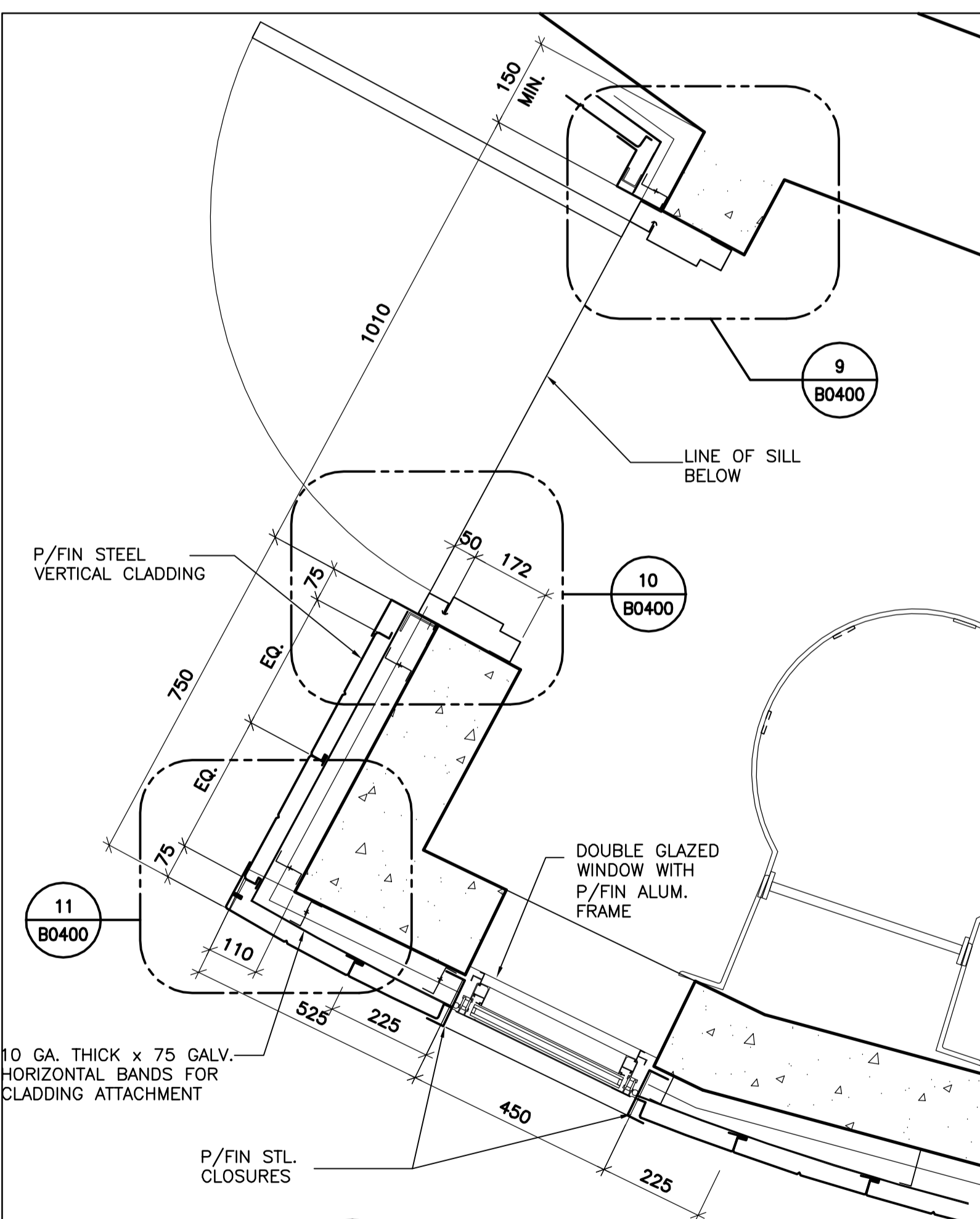
1 WALL SECTION
B0100 SCALE 1:25



8 TYPICAL CLADDING PANEL LAYOUT
B0400 SCALE 1:5



6 SLIP CONNECTION DETAIL
B0400 N.T.S.



7 PLAN DETAIL
B0100 SCALE 1:10



B.M. ELEV.			
DESIGNED BY	TWS	CHECKED BY	TWS
DRAWN BY	RP	APPROVED BY	AHL
SCALE:	AS NOTED	RELEASED FOR CONSTRUCTION BY:	R. SOROKOWSKI
NO. REVISIONS	DATE	DATE	DATE
00	ISSUED FOR TENDER	06/05/03	LK
		2006/03/21	

CH2M HILL
Frederickson Cooper ARCHITECTS

EarthTech
A Tyco International Ltd. Company

ENGINEER'S SEAL
ORIGINAL SIGNED BY
N. COOPER
2006/05/03
CONSULTANT DRAWING NO.
WY-B0400

THE CITY OF WINNIPEG
WATER AND WASTE DEPARTMENT
ENGINEERING DIVISION

WATER TREATMENT PLANT
YARD PIPING AND VALVE CHAMBERS
SURGE TOWER CONSTRUCTION

ARCHITECTURAL
PLAN & SECTION DETAILS

CITY FILE NUMBER
SHEET OF
CITY DRAWING NUMBER
1-0601Y-A-B0400-001-00D