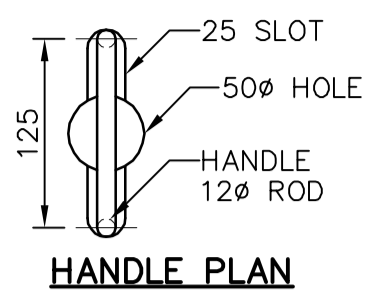
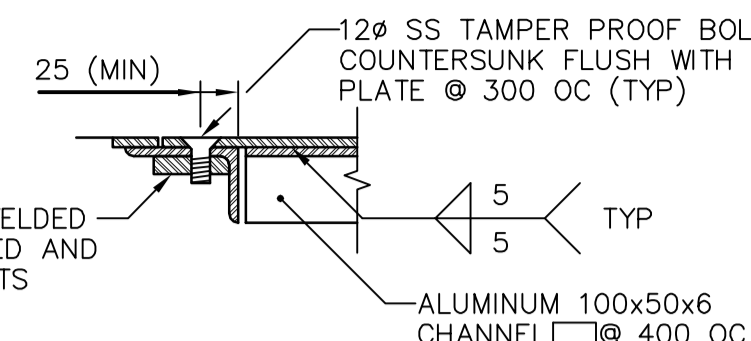


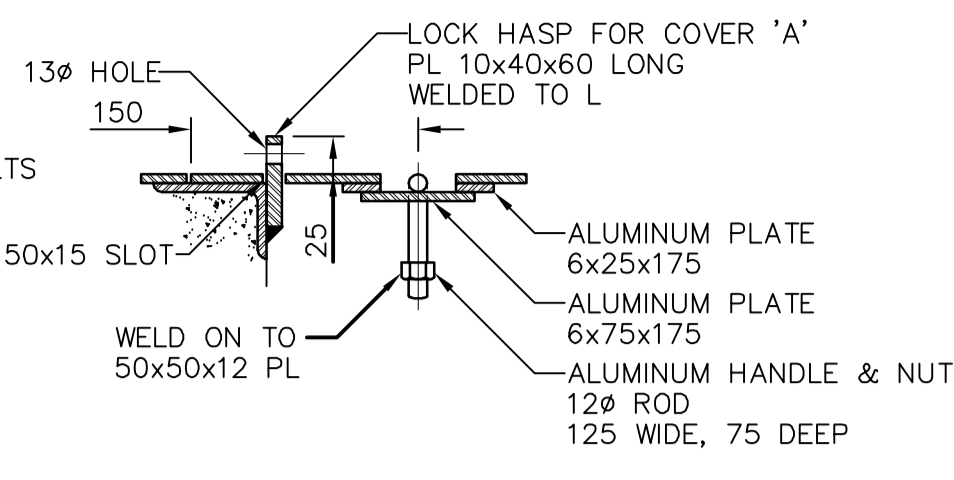
TRENCH DETAIL AT UTILITY CROSSING
N.T.S.



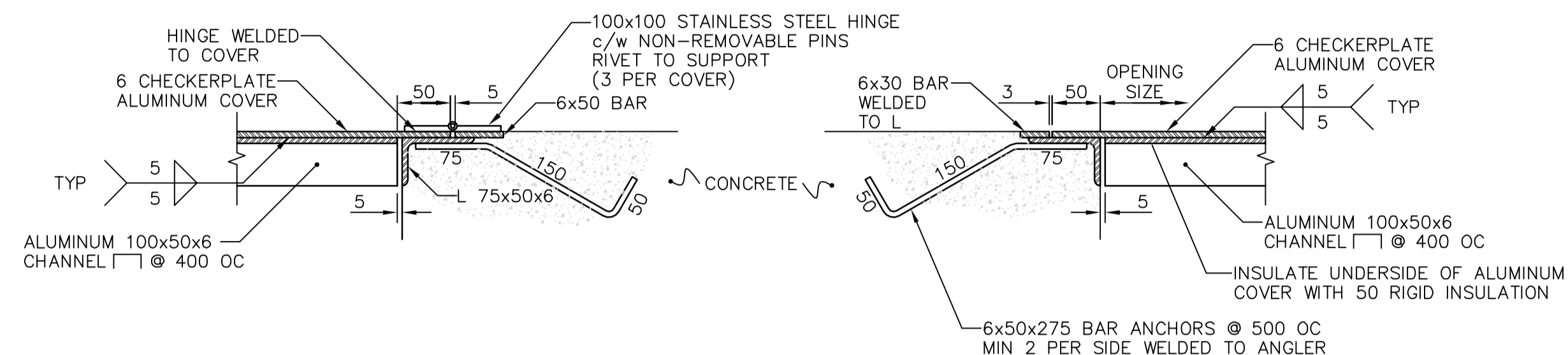
HANDLE PLAN



HOLD DOWN BOLT



ACCESS HATCH HANDLE SECTION

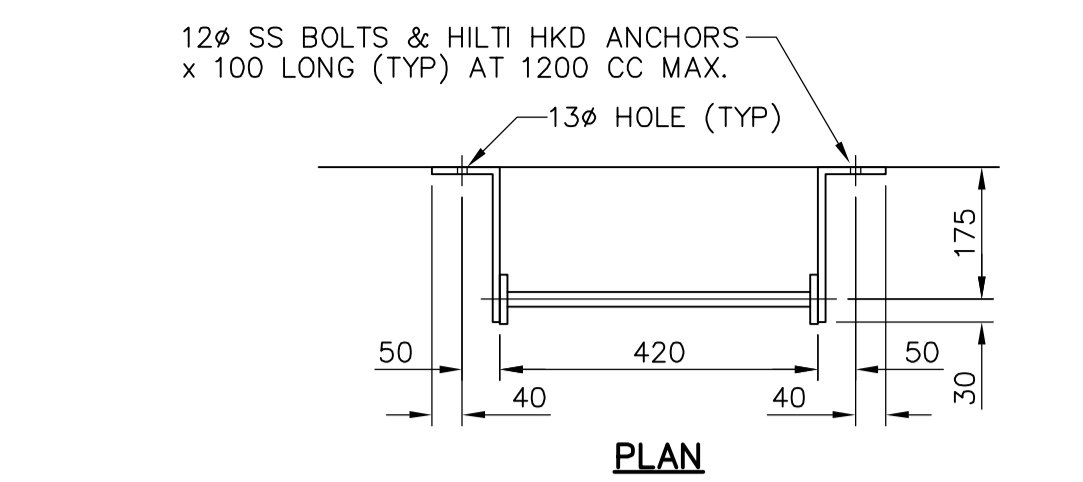


ACCESS HATCH HINGE SECTION

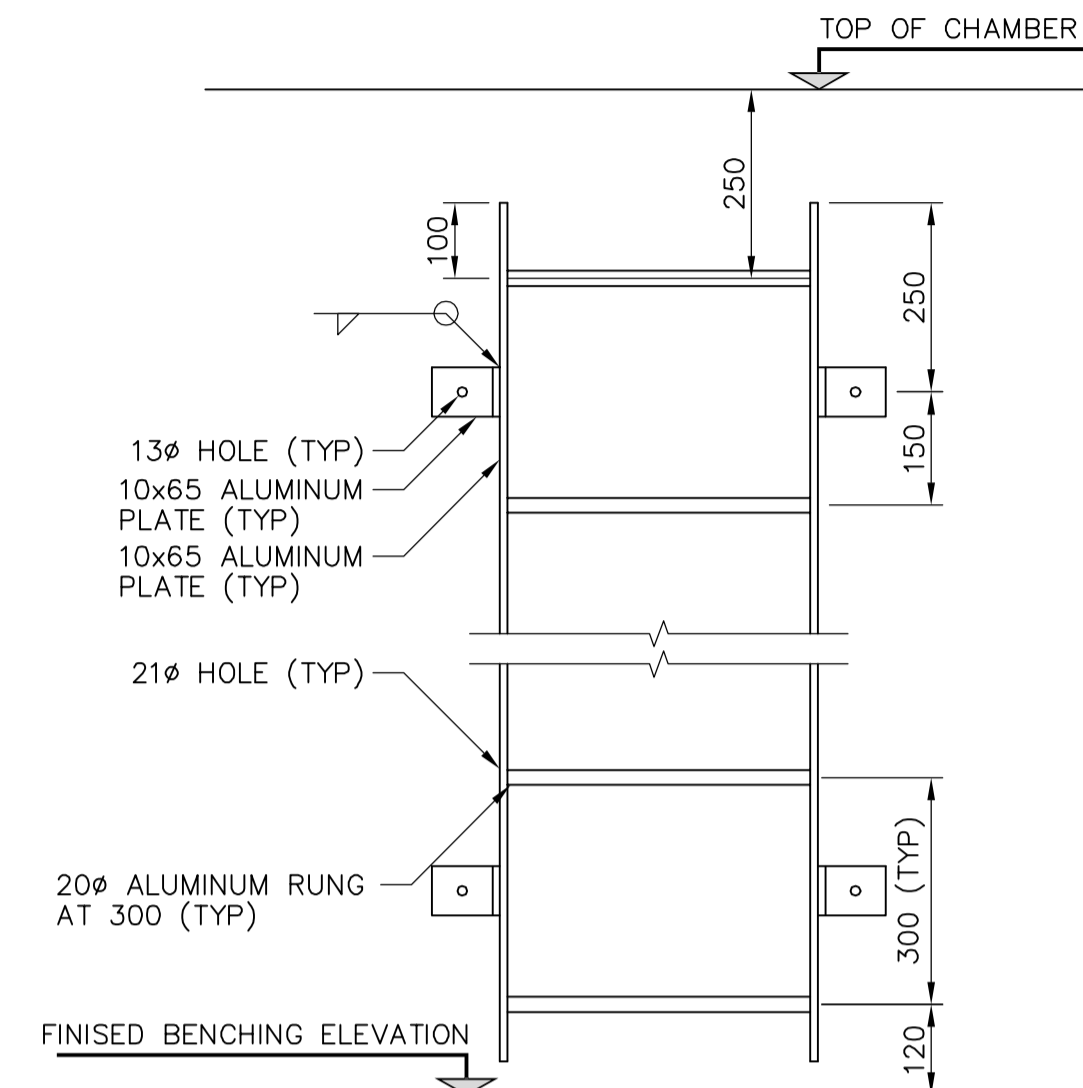
ACCESS HATCH FRAME SECTION

ACCESS HATCH METAL FABRICATION DETAILS

SCALE 1:5



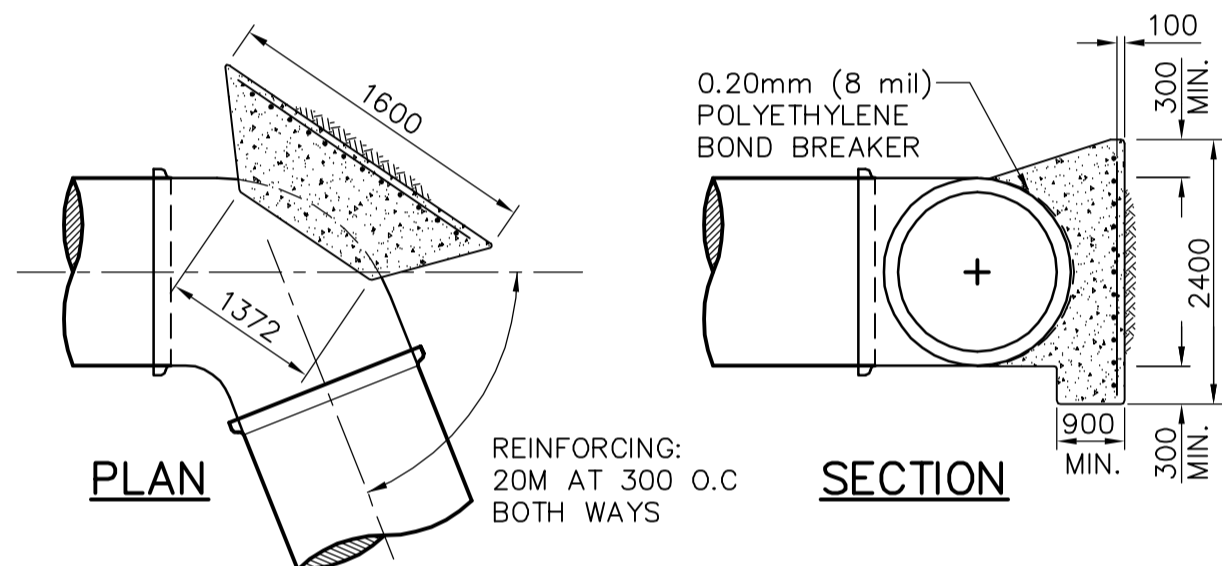
PLAN



ELEVATION

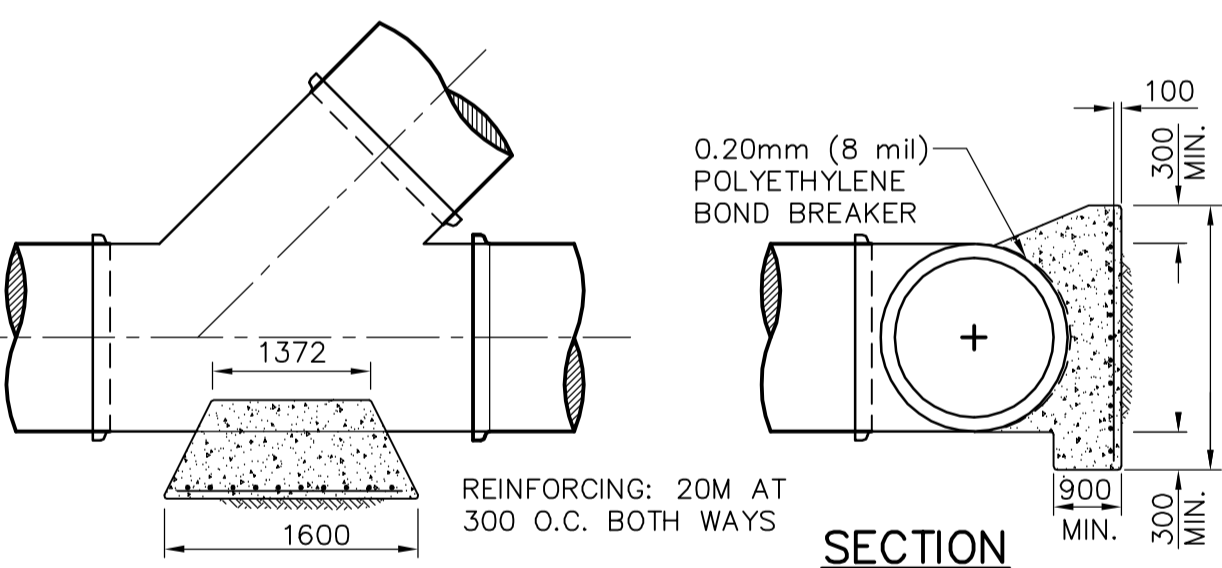
LADDER DETAIL

SCALE 1:10



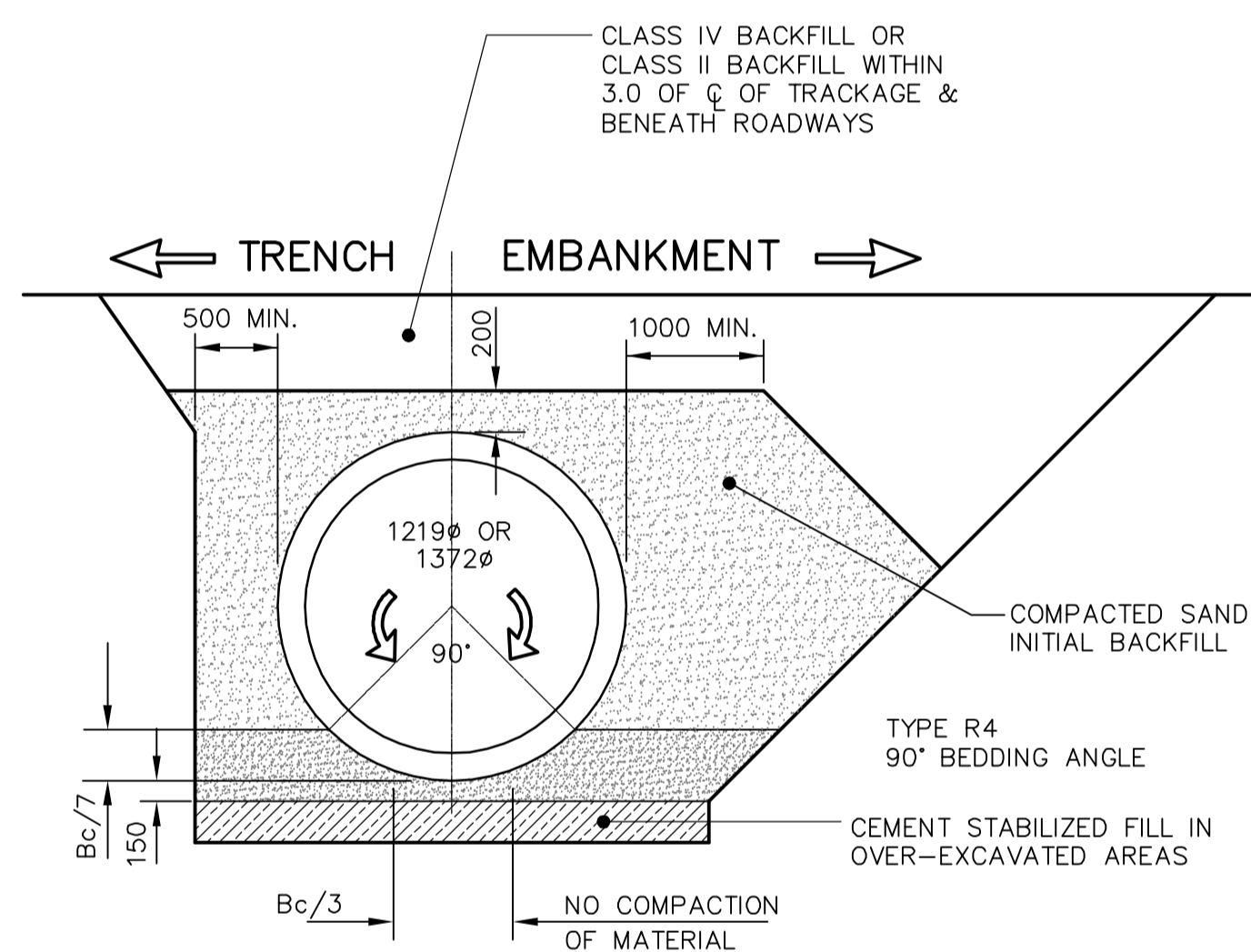
1372Ø - 45° BEND

N.T.S.



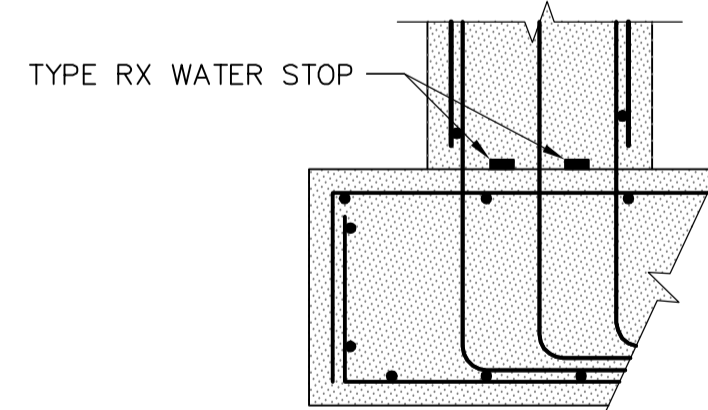
WYE

N.T.S.



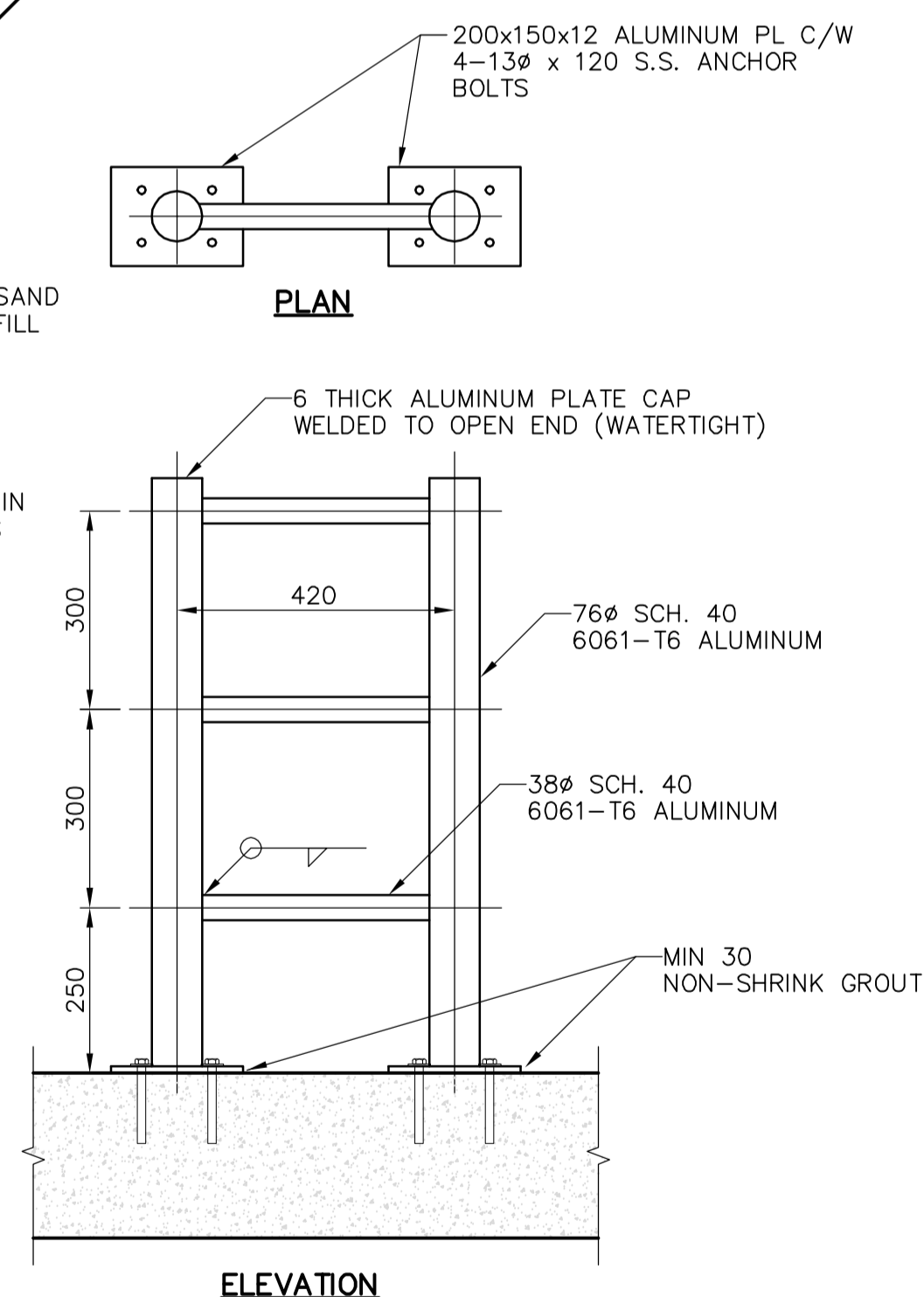
TYPICAL PIPE BEDDING BACKFILL

N.T.S.



WATERTIGHT CONSTRUCTION JOINT DETAIL

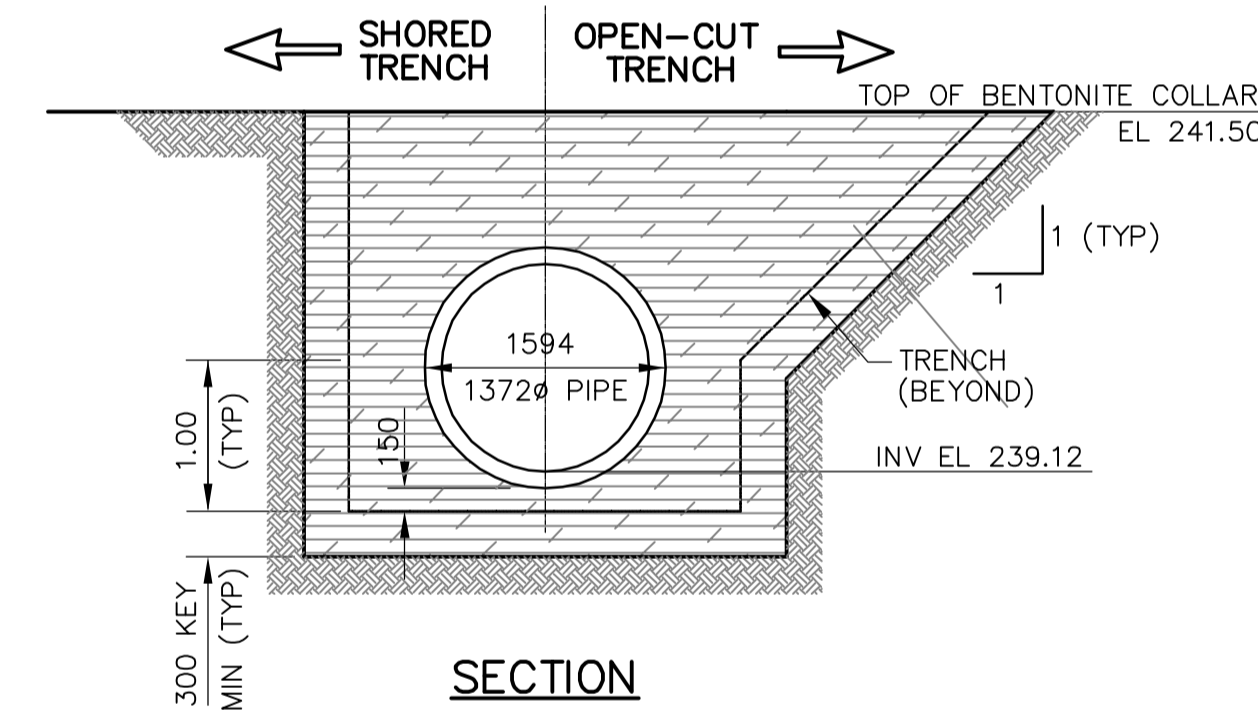
SCALE 1:20



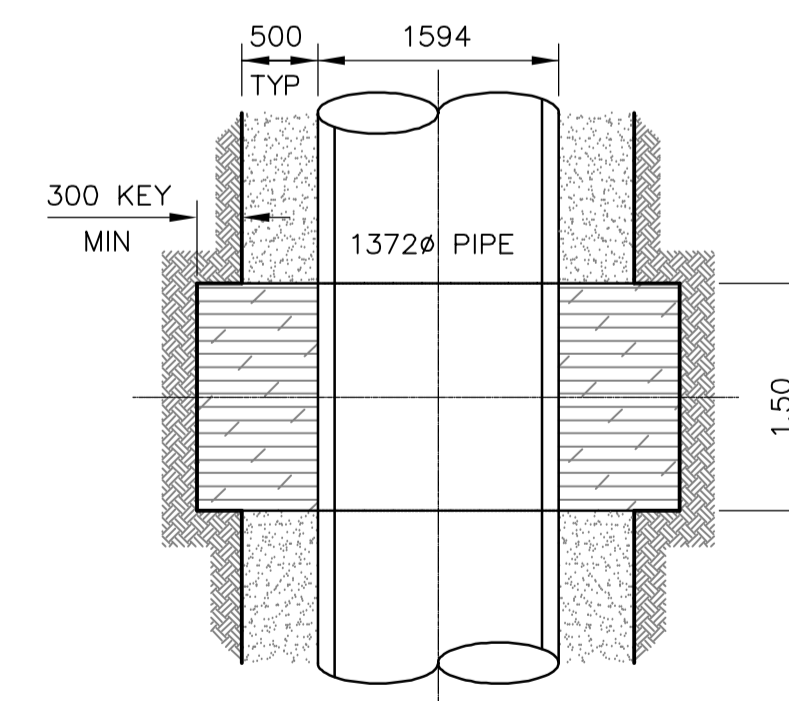
ELEVATION

HAND HOLD DETAIL

SCALE 1:10



SECTION



PLAN

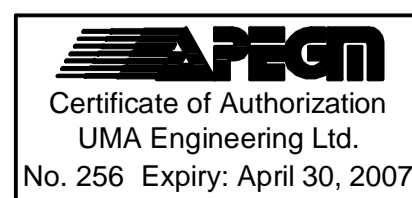
BENTONITE SEEPAGE COLLAR

N.T.S.

- CABLES IN NEW ELECTRICAL TRENCH INCLUDE:
- 3C-#4/0 TECK
 - 3C-#2 TECK
 - 2 - FIBRE OPTIC CABLES
 - 2 - MODBUS PLUS CABLES (ARMORED)
 - 1 - TELEPHONE DIRECT
 - 2 - 75 PVC CONDUITS FOR FUTURE 5KV CABLES TO DEWATERING PUMP STATION
 - 2 - 75 PVC CONDUITS FOR FUTURE FIBRE CABLES TO DEWATERING PUMP STATION

TEMPORARY CABLE SUPPORT AT UTILITY CROSSING

SCALE 1:25



B.M. ELEV.					
UMA AECOM		ENGINEER'S SEAL			
<small>© 2005 UMA ENGINEERING LTD. ALL RIGHTS RESERVED.</small>					
DESIGNED BY	EDT/GEB	CHECKED BY	CCM	ORIGINAL SIGNED BY	E. D. J. TOUPIN
DRAWN BY	WJd	APPROVED BY	CCM	DATE	2006/08/25
HOR. SCALE:	1:250	RELEASED FOR CONSTRUCTION BY:	R. Amann	CONSULTANT DRAWING NO.	WY C017
VERTICAL SCALE:	1:50	DATE	August 28, 2006		
0 ISSUED FOR TENDER	06/08/25	DATE	06/08/25	BY	WJd
NO. REVISIONS		DATE	2006/05/31	DATE	August 28, 2006

THE CITY OF WINNIPEG
WATER AND WASTE DEPARTMENT
ENGINEERING DIVISION

Winnipeg

WINNIPEG WATER TREATMENT PROGRAM CONSTRUCTION OF SURGE TOWER OVERFLOW PIPING	CITY FILE NUMBER
CIVIL SURGE TOWER OVERFLOW PIPING MISCELLANEOUS SECTIONS AND DETAILS	SHEET 1 OF 1
	CITY DRAWING NUMBER 1-0601Y-C-C0017-001-00D