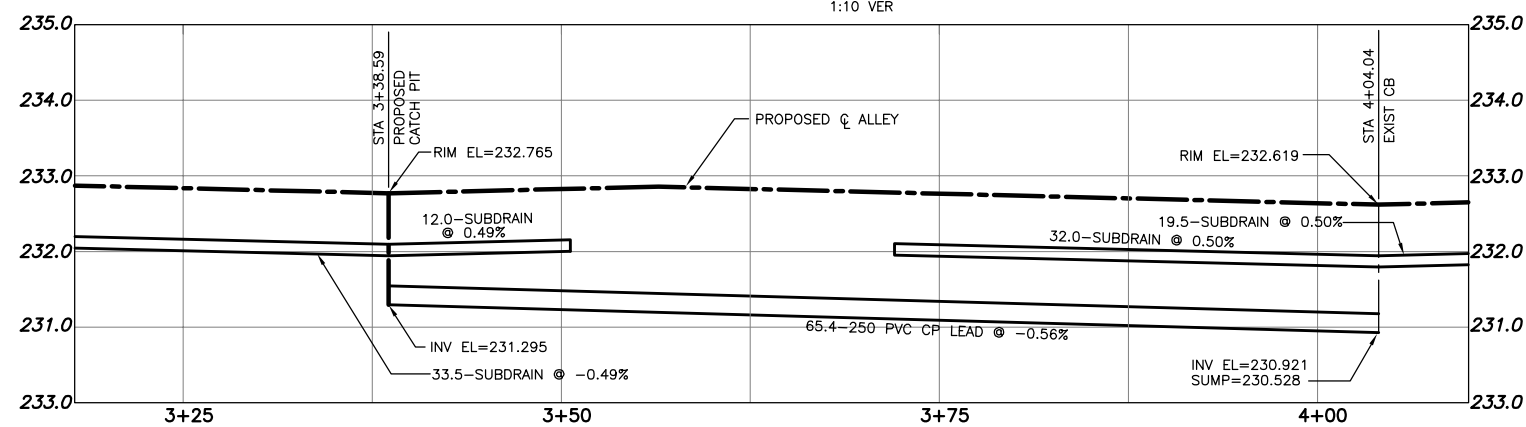
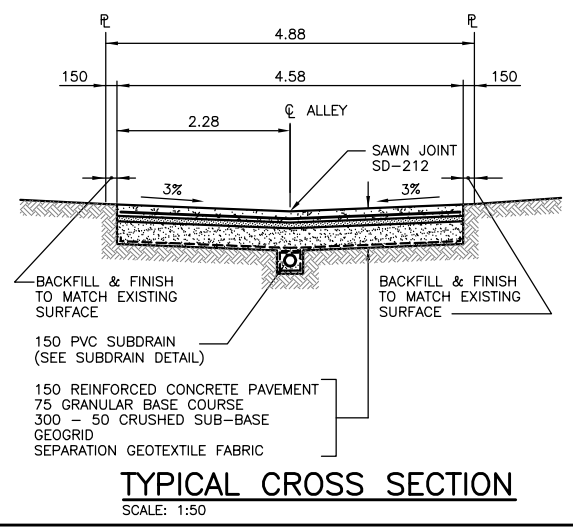


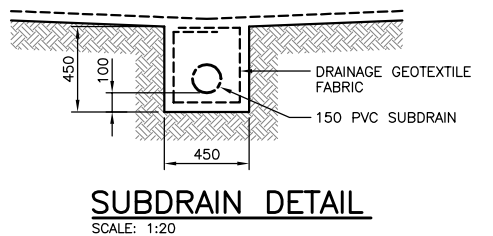
**ALLEY PAVEMENT PROFILE**  
SCALE: 1:250 HOR  
1:10 VER



**CATCH PIT & CATCH PIT LEAD PROFILE**  
SCALE: 1:250 HOR  
1:50 VER



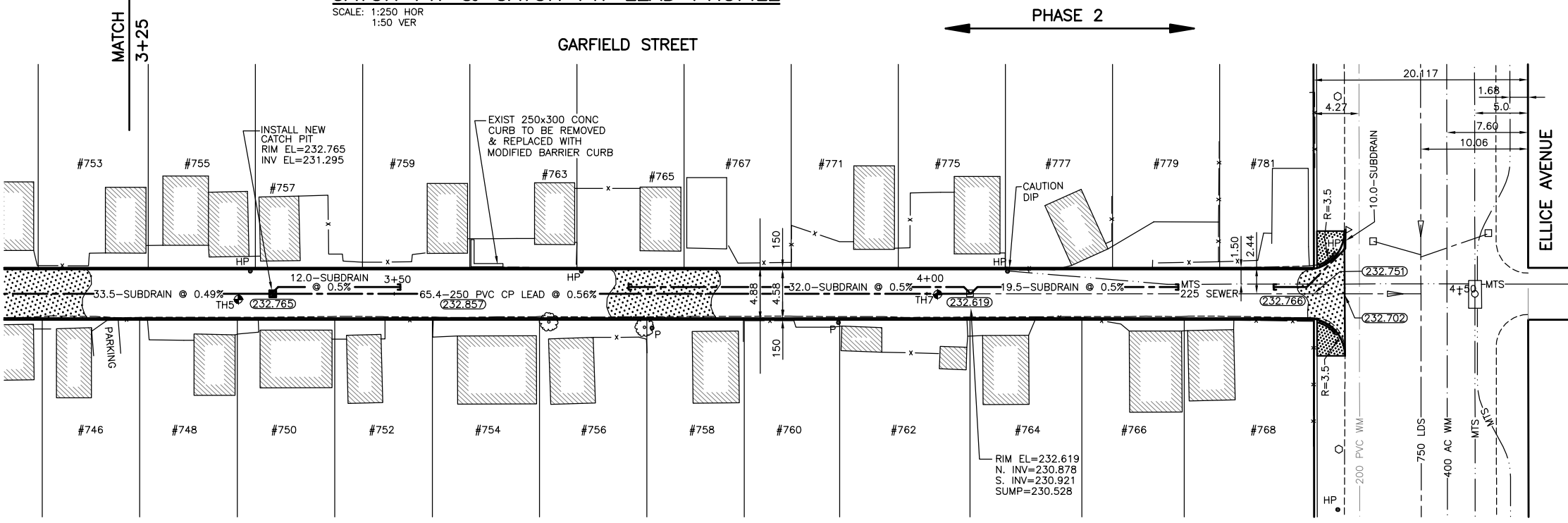
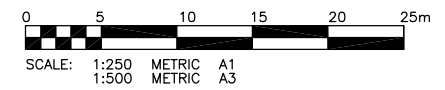
**TYPICAL CROSS SECTION**  
SCALE: 1:50



**SUBDRAIN DETAIL**  
SCALE: 1:20



- NOTE:**
1. STATION CHAINAGE IS BASED ON CENTERLINE OF ALLEY RIGHT OF WAY.
  2. ADJUST MH AND CB RIMS TO NEW GRADES.
  3. PLUG SUBDRAINS AT TERMINAL ENDS.
  4. REGRADE EXISTING PRIVATE SIDEWALKS AS REQUIRED.
  5. INSTALLATION OF LIP CURBS AND THEIR EXTENTS TO BE DETERMINED BY THE CONTRACT ADMINISTRATOR
  6. LIGHT STANDARDS, HYDRO POLES AND ANCHORS MAY REQUIRE TEMPORARY SUPPORT/REMOVAL OR REPLACEMENT AT THE CONTRACTOR'S EXPENSE.
  7. ISOLATE ALL POLES, BASES AND PILES WITHIN ALLEY RIGHT OF WAY (SD-228C)
  8. AVOID DAMAGE TO EXISTING TREES WITHIN THE LIMITS OF CONSTRUCTION.



**ALLEY PAVEMENT PLAN**  
SCALE: 1:250 HOR  
1:10 VER

**WARNING**

IF POWER EQUIPMENT OR EXPLOSIVES ARE TO BE USED FOR EXCAVATION ON THIS PROJECT THE CONTRACTOR MUST:  
1) NOTIFY THE GAS COMPANY OF THE PROPOSED LOCATION OF EXCAVATION.  
2) TAKE PRECAUTION TO AVOID DAMAGE TO GAS COMPANY INSTALLATIONS.  
SEE PROVINCIAL REGULATION 210/72 FOR DETAILS.

**METRIC**

WHOLE NUMBERS INDICATE MILLIMETRES  
DECIMALIZED NUMBERS INDICATE METRES

**APEGM**  
Certificate of Authorization  
KGS Group  
No. 245 Expiry: April 30, 2007

300 LBS	LAND DRAINAGE SEWER	300 LBS							
250 WWS	WASTE WATER SEWER	250 WWS	+	TEST HOLE					
---	GAS	---	-	GUY WIRE					
---	HYDRO	---	+	LIGHT STANDARD					
---	M.T.S.	---	+	BACK OF CURB					
150 WM	WATERMAIN	150 WM	+	CONCRETE					
+	HYDRANT	+	+	ASPHALT					
+	VALVE	+	+	SIDEWALK					
+	MANHOLE	+	+	PROPERTY LINE					
+	CATCH BASIN	+	+	SURVEY BAR					
+	CURB INLET	+	+	GEODETIC BENCHMARK					
+	POLES	+	+	ELEVATION					
+	EXISTING	+	+						
---	LEGEND-PLAN	---	---	LEGEND-PROFILE					
---	PROPOSED	---	---	PROPOSED					
---	EXISTING	---	---	EXISTING					

**LOCATION APPROVED UNDERGROUND STRUCTURES**

SUPV. U/G STRUCTURES DATE COMMITTEE

**NOTE:**  
LOCATION OF UNDERGROUND STRUCTURES AS SHOWN ARE BASED ON THE BEST INFORMATION AVAILABLE BUT NO GUARANTEE IS GIVEN THAT ALL EXISTING UTILITIES ARE SHOWN OR THAT THE GIVEN LOCATIONS ARE EXACT. CONFIRMATION OF EXISTENCE AND EXACT LOCATION OF ALL SERVICES MUST BE OBTAINED FROM THE INDIVIDUAL UTILITIES BEFORE PROCEEDING WITH CONSTRUCTION.

B.M.	37-033	N.W. COR. ST. MATTHEWS AVE. & DOMINION ST. TBLT.
ELEV.	233.716m	N. S. TYPICAL STONE FOUNDATION OF MINTO AMBURY
		0.7m W. & 1.5m BELOW BRICK OF S.E. COR. OF BLDG.
NO.	REVISIONS	DATE BY
0	ISSUED FOR TENDER	06/05/25 CR
A	ISSUED FOR REVIEW	06/04/28 CR

**KGS GROUP** CONSULTING ENGINEERS & PROJECT MANAGERS  
WINNIPEG (204) 896-1299  
THUNDER BAY (807) 345-2233

DESIGNED BY: RO  
DRAWN BY: DW  
CHECKED BY: CR  
APPROVED BY: [Signature]

HOR. SCALE: 1:250  
VERTICAL: 1:50  
RELEASED FOR CONSTRUCTION: [Date]  
DATE: 09/02/06

ENGINEER'S SEAL  
**M.C. ROWBOTHAM**  
REGISTERED PROFESSIONAL ENGINEER

CONSULTANT DRAWING NO.  
**06-0107-05**

**THE CITY OF WINNIPEG**  
PUBLIC WORKS DEPARTMENT  
ENGINEERING SERVICES DIVISION

PROJECT TITLE  
**2006 ALLEY RENEWAL PROGRAM**  
GARFIELD ST./SHERBURN ST.  
ALLEY  
ST. MATTHEW AVE. TO ELLICE AVE.  
STA. 3+25.0 TO STA. 4+39.37

SHEET OF  
**08** OF **14**

COMPUTER FILE NAME  
**06-0107-05**

CITY DRAWING NUMBER  
**0008**

P:\PROJ\2006\06-107-05\MUN\DWG\GARFIELD-SHERBURN-ALLEY\GARFIELD-SHERBURN-ALLEY-PLOT.DWG