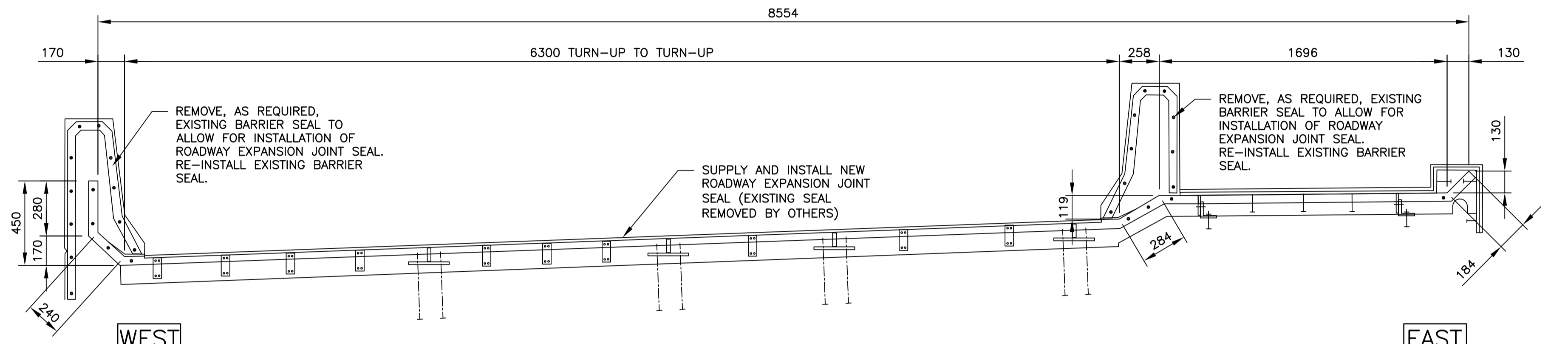
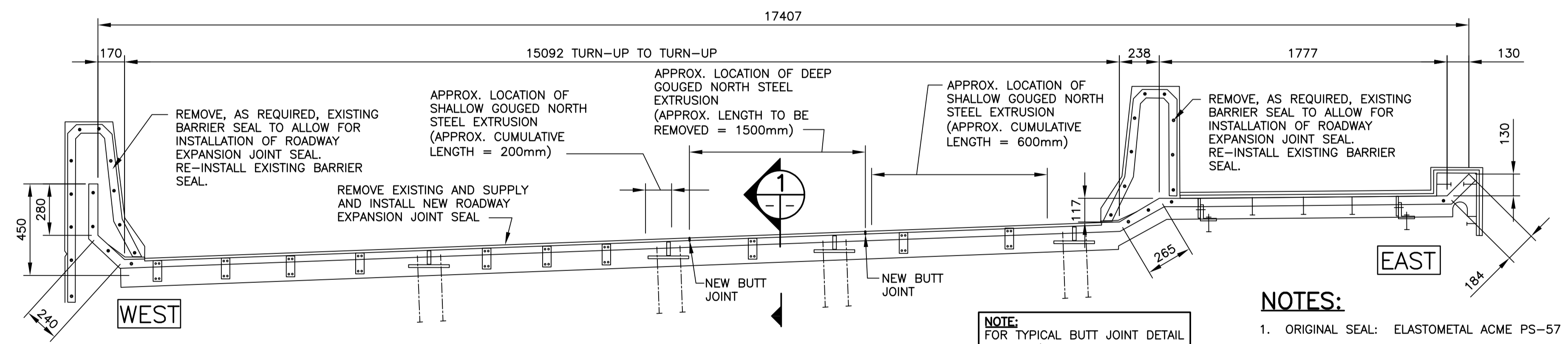


**ELEVATION - PIER 2 EXPANSION JOINT**  
N.T.S. (LOOKING NORTH)

**NOTE:**  
FOR TYPICAL BUTT JOINT DETAIL OF NEW/EXISTING STEEL EXTRUSION SEE DWG. NO. B116-06-03B



**ELEVATION - PIER 8 EXPANSION JOINT**  
N.T.S. (LOOKING NORTH)

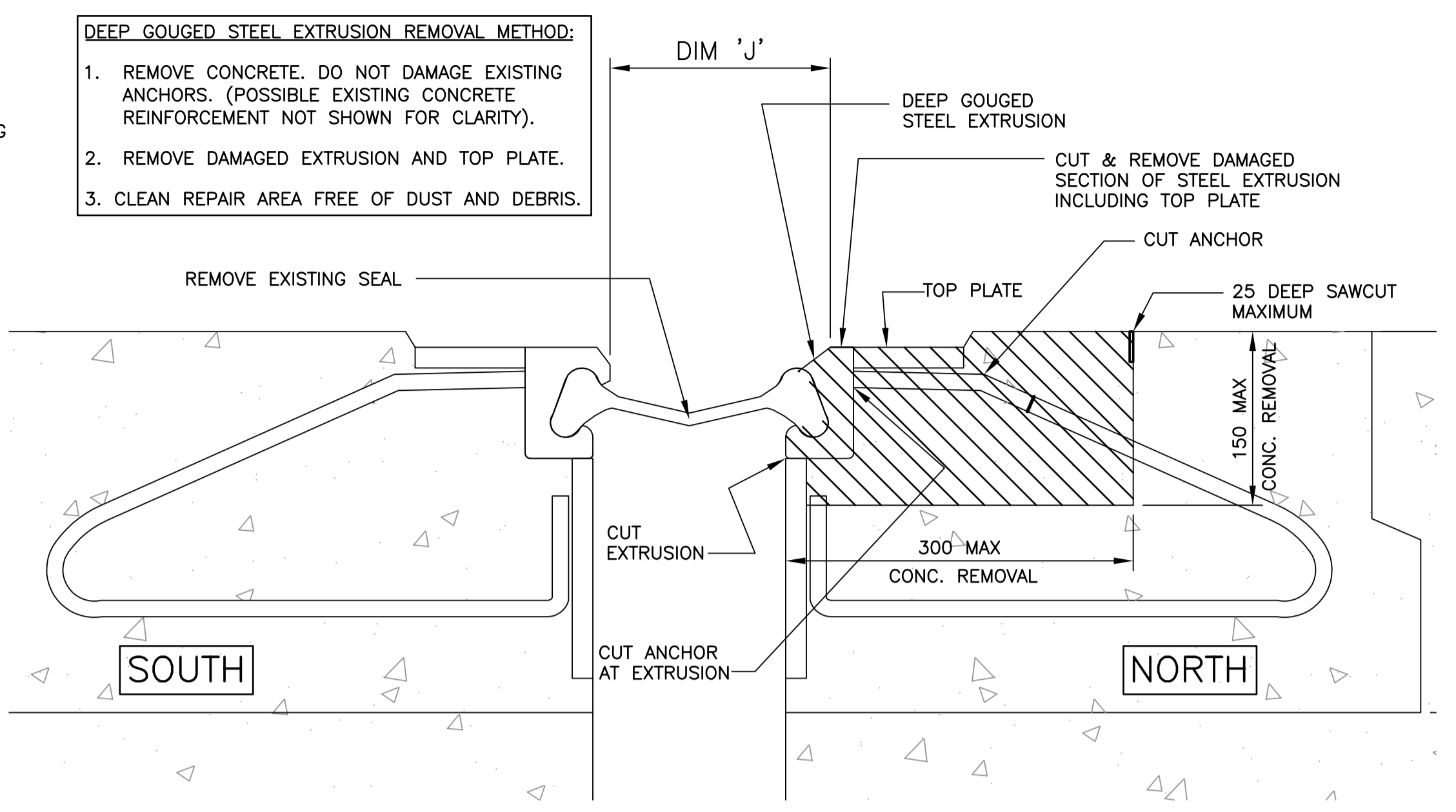


**ELEVATION - PIER 17 EXPANSION JOINT**  
N.T.S. (LOOKING NORTH)

**NOTE:**  
FOR TYPICAL BUTT JOINT DETAIL OF NEW/EXISTING STEEL EXTRUSION SEE DWG. NO. B116-06-03B

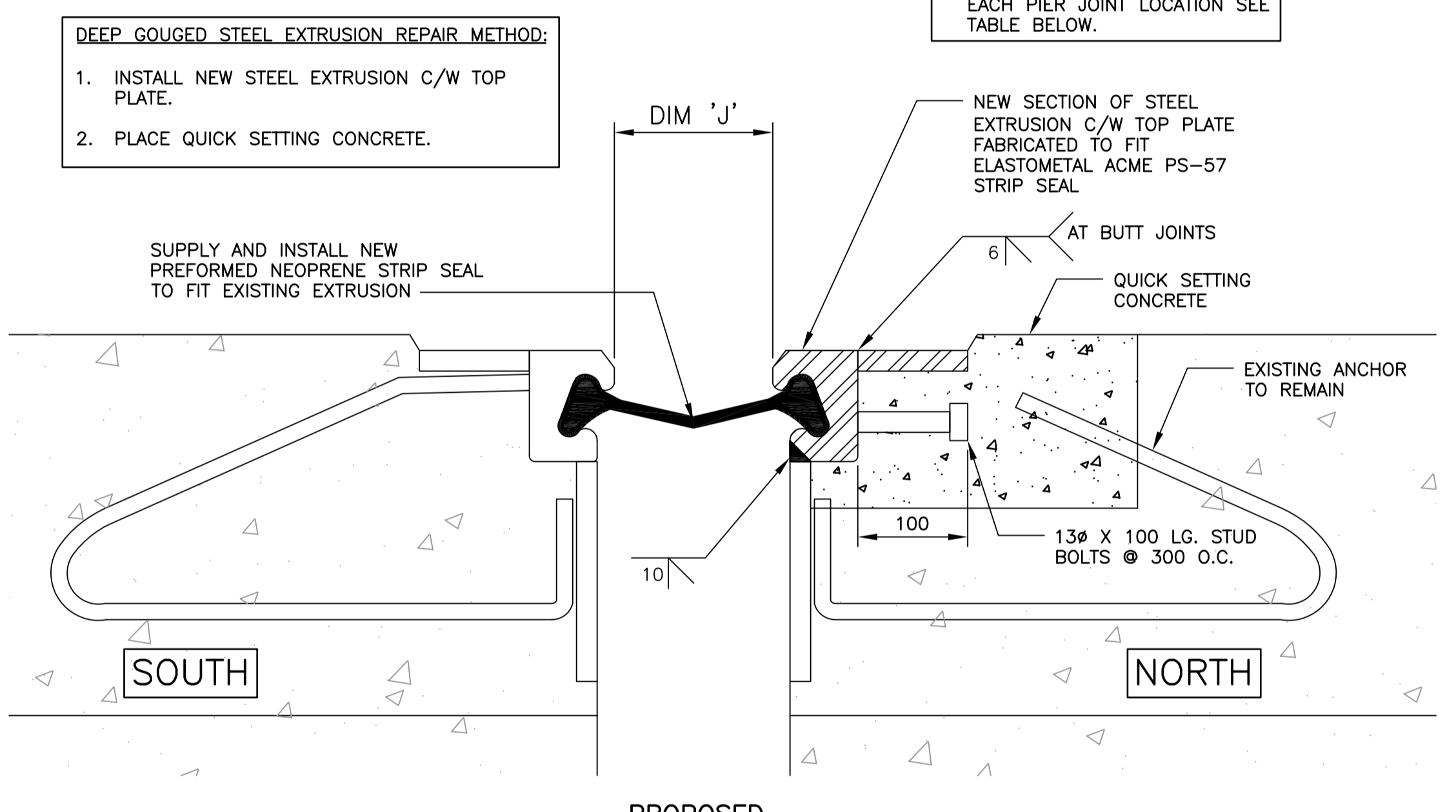
**NOTES:**

1. ORIGINAL SEAL: ELASTOMETAL ACME PS-57 STRIP SEAL.
2. EACH EXPANSION JOINT STRIP SEAL SHALL BE INSTALLED AS ONE CONTINUOUS PIECE, TO THE SATISFACTION OF THE CONTRACT ADMINISTRATOR.
3. AREAS WITH DEEP GOUGED STEEL AS DETERMINED WITH THE CONTRACT ADMINISTRATOR TO BE REPAIRED BY CUTTING OUT THE DAMAGED STEEL EXTRUSION AND TOP PLATE AND REPLACING IT WITH NEW STEEL TO MATCH EXTRUSION SHAPE.
4. AREAS OF SHALLOW GOUGED STEEL AS DETERMINED WITH THE CONTRACT ADMINISTRATOR TO BE REPAIRED BY FILLING WITH WELD MATERIAL AND GRINDING SMOOTH.
5. WELDING SHALL BE DONE IN ACCORDANCE WITH CSA W59, "WELDED STEEL CONSTRUCTION." COAT ALL WELDS WITH FIELD-APPLIED GALVANIZING.
6. NEW STEEL EXTRUSION AND TOP PLATE SHALL BE HOT DIP GALVANIZED.



**EXISTING**

**NOTE:**  
FOR DESCRIPTION OF WORK AT EACH PIER JOINT LOCATION SEE TABLE BELOW.



**PROPOSED**

**SECTION 1**  
N.T.S.

1987 EXPANSION JOINT GAP DESIGN						
LOCATION	DIM 'J'					
	5'	10'	15'	20'	25'	30'
PIER 2	83	79	75	71	67	63
PIER 8	83	79	75	71	67	63
PIER 17	84	79	75	70	65	61

MAY 2006 EXPANSION JOINT GAP	
LOCATION	DIM 'J'
PIER 2	77
PIER 8	68
PIER 17	80

DESCRIPTION OF WORKS ON EXPANSION JOINT				
JOINT LOCATION	REPLACE EXPANSION JOINT STRIP SEAL	REPAIR DEEP GOUGED STEEL EXTRUSION	REPAIR SHALLOW GOUGED STEEL EXTRUSION	REMARKS
PIER 2	CENTRE	NORTH		SEE SECTION 1 THIS SHEET
PIER 8	CENTRE			SEE SECTION 1 THIS SHEET
PIER 17	CENTRE	NORTH	NORTH	SEE SECTION 1 THIS SHEET

B.M. ELEV.	DESIGNED BY: M.R.D.		
	DRAWN BY: M.R.D.		
	CHECKED BY: R.A.W.		
	REVIEWED BY: R.A.W.		
	SCALE: HORZ. AS SHOWN VERT.	DATE: JUNE 2006	
2 ISSUED FOR TENDER 06/06/19 NBG			
1 ISSUED FOR CITY REVIEW 06/06/13 MRD			
0 ISSUED FOR CITY REVIEW 06/05/19 MRD			
NO. REVISIONS	DATE	BY	

<p><b>THE CITY OF WINNIPEG</b> PUBLIC WORKS DEPARTMENT</p>		<p>2006 BRIDGE MAINTENANCE ST. JAMES BRIDGE</p> <p>EXPANSION JOINT REPAIRS</p>	<p>CITY DRAWING NUMBER B102-06-02</p> <p>SHEET 2 OF 2</p>
<p>CONSULTANT PROJECT NO. 06-5919-1002</p>			
<p>ORIGINAL SIGNED BY B. NEIRINCK, P.Eng.</p>			<p>BID OPP NO. 353-2006</p>