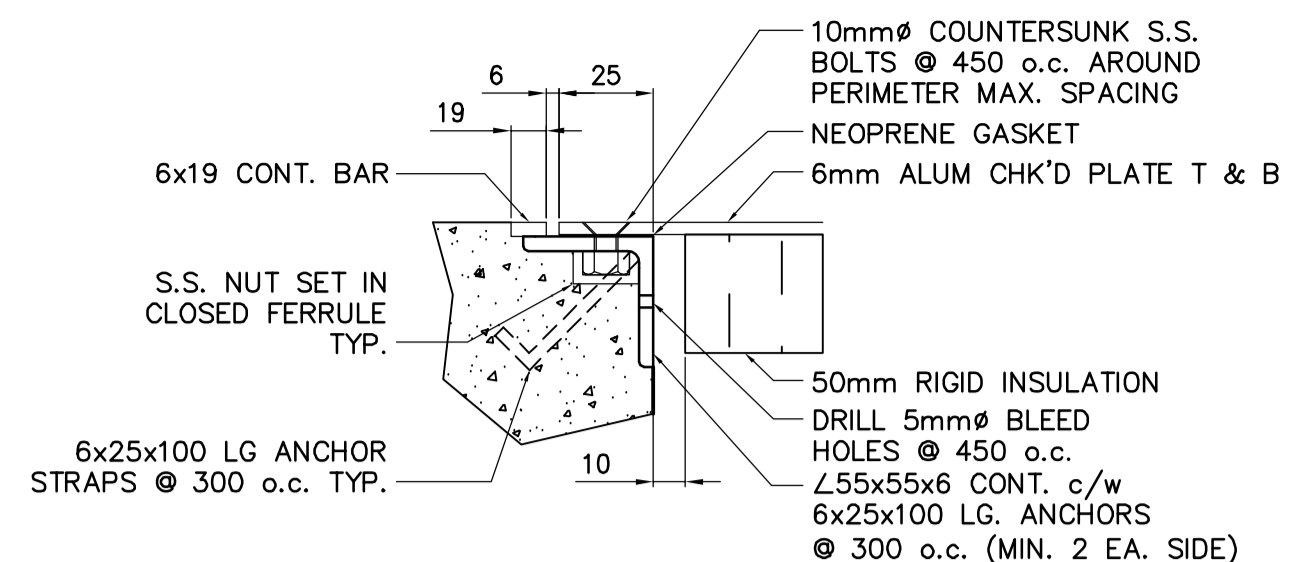
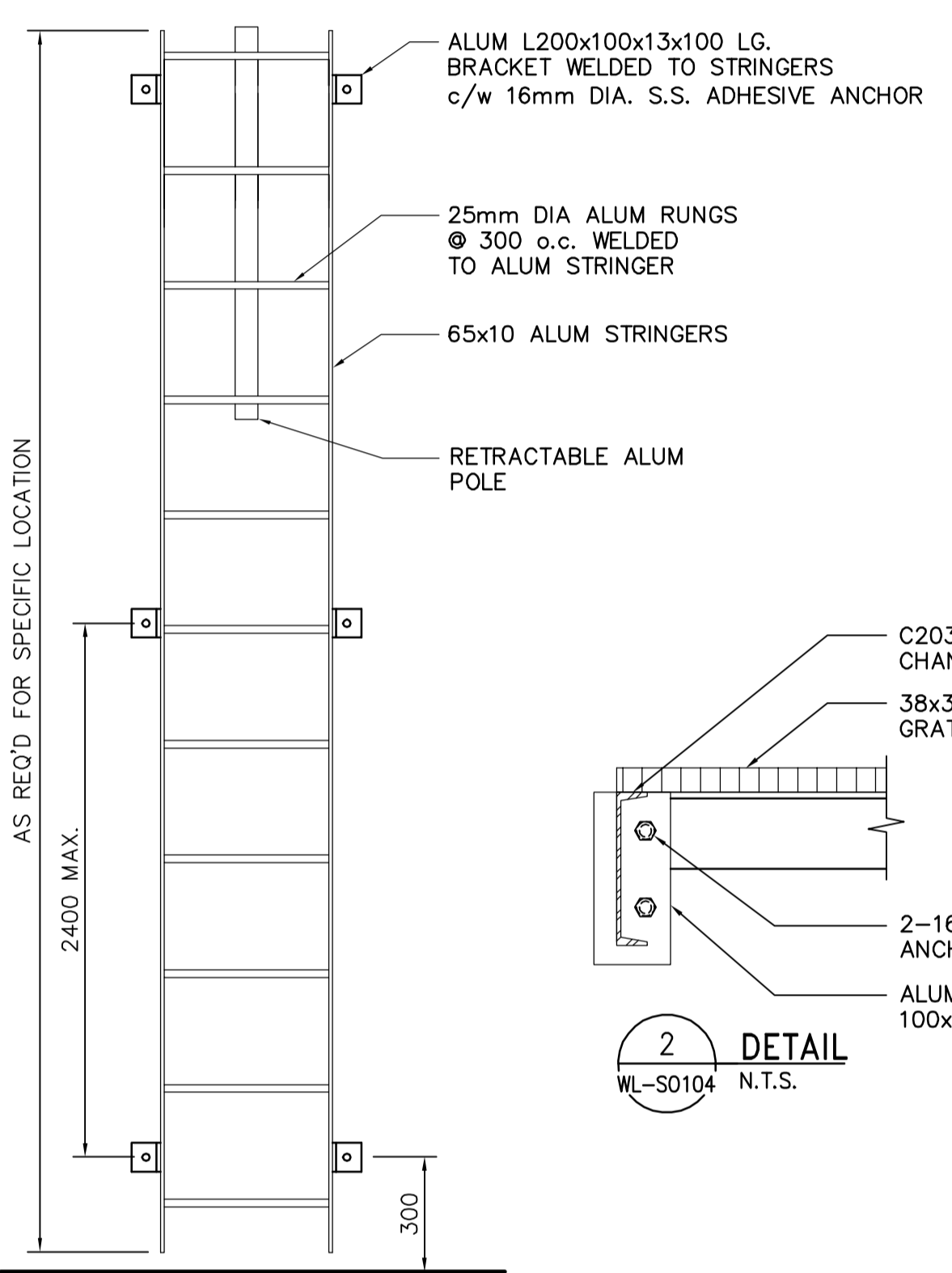
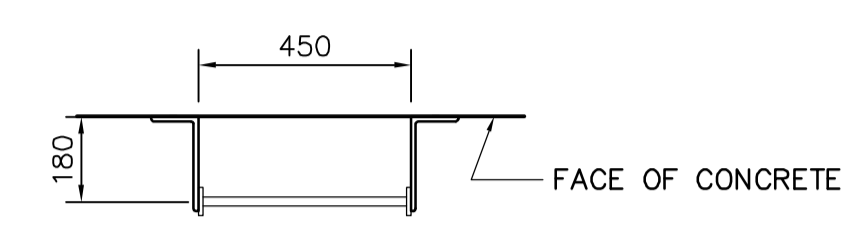


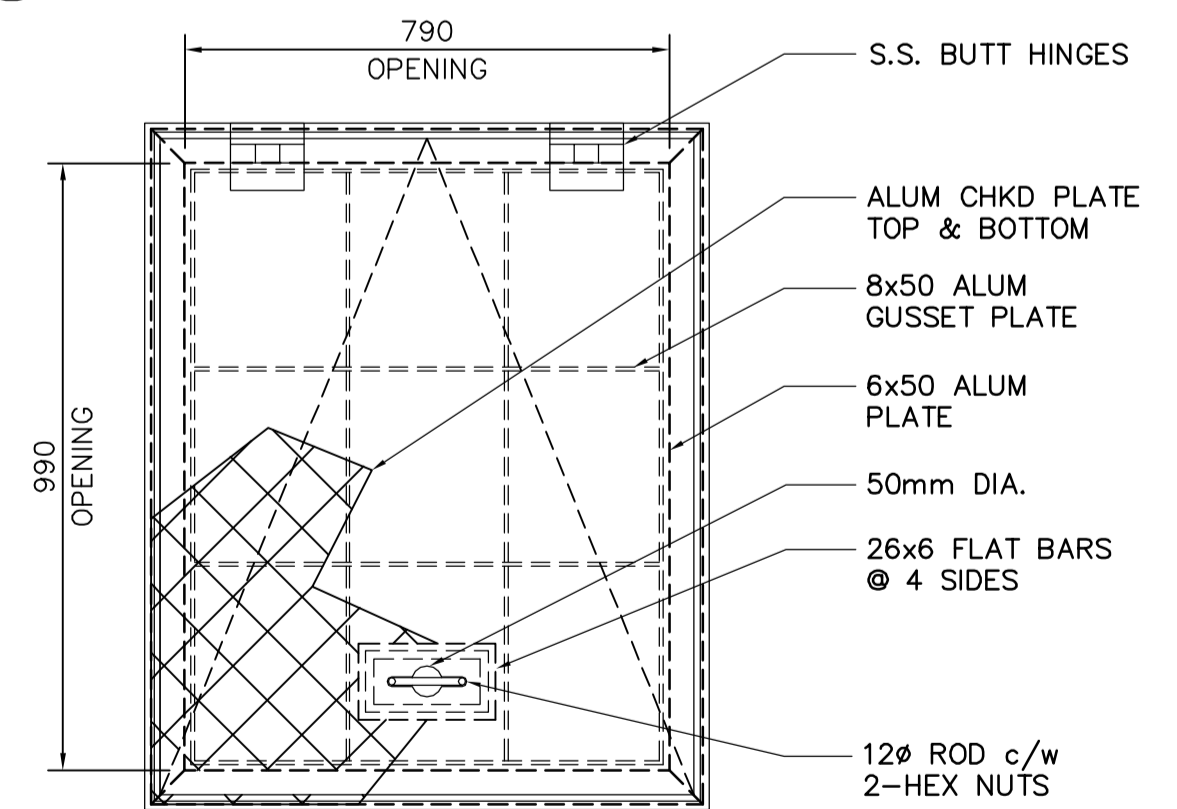
B SECTION
WL-S0103 1:40



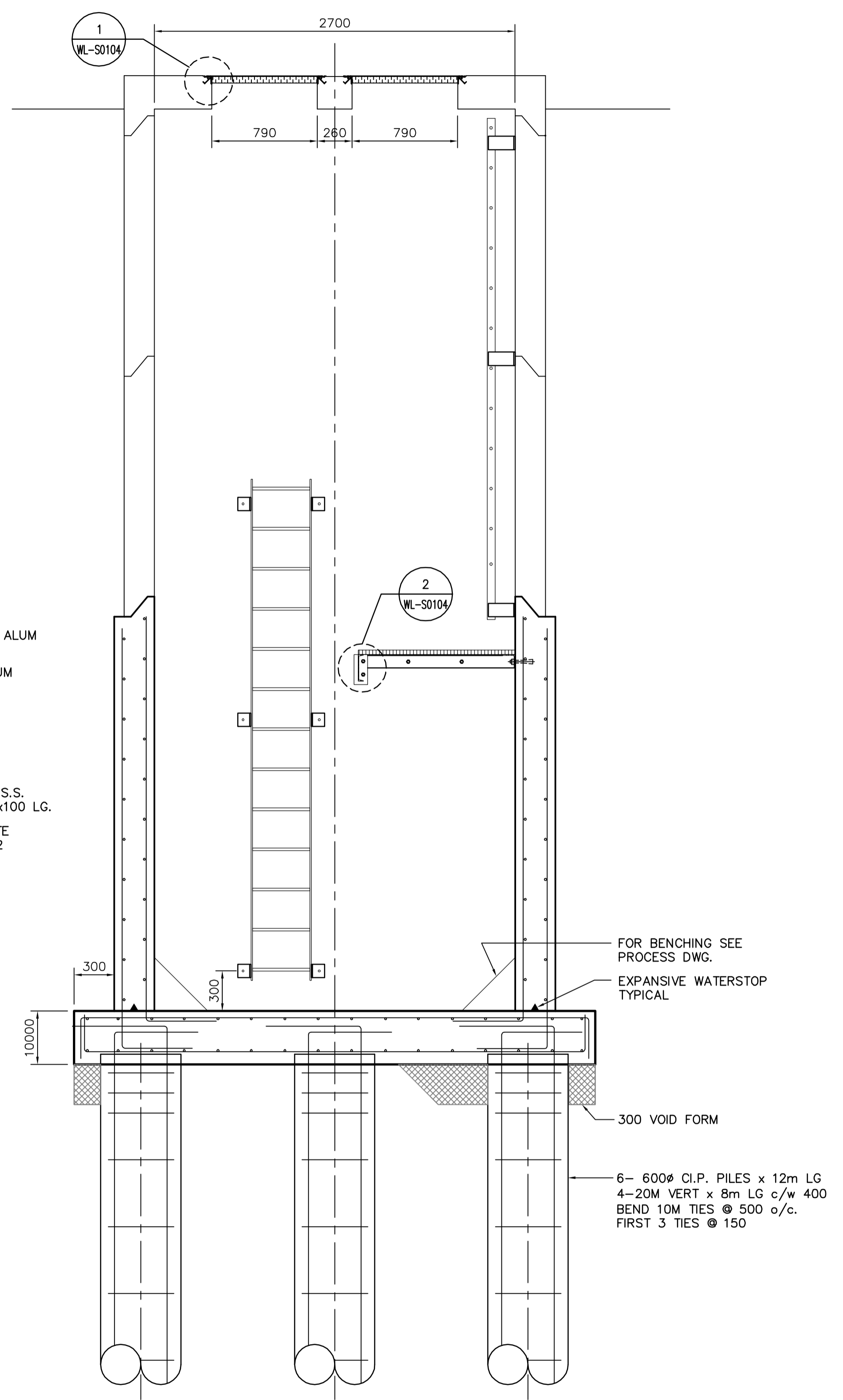
1 PERIMETER FRAME DETAIL
WL-S0104 N.T.S.



D TYP. ALUMINUM LADDER DETAIL
SCALE: NTS

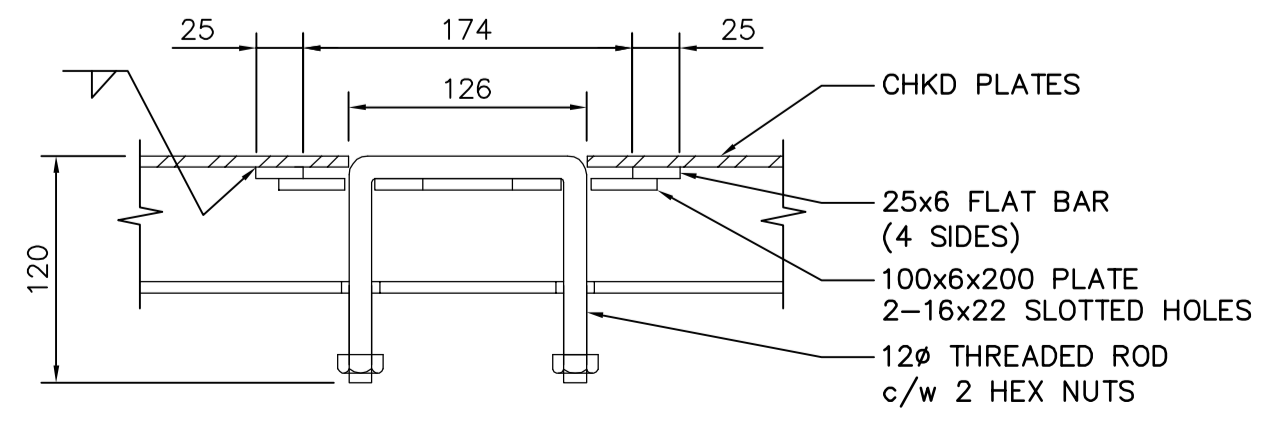


E ALUMINUM FRAME AND COVER DETAIL
SCALE: NTS



C SECTION
WL-S0103 1:40

F ALUM LIFTING HANDLE DETAIL
WL-S0104 SCALE: NTS



APECA
Certificate of Authorization
Earth Tech Canada Inc.
No. 730 Expiry: April 30, 2006

B.M. ELEV.			
DESIGNED BY	FK	CHECKED BY	MK
DRAWN BY	WDB	APPROVED BY	DJT
SCALE:	AS NOTED	RELEASED FOR CONSTRUCTION BY:	RON SOROKOWSKI
NO.	ISSUED FOR TENDER	DATE	06/03/07
NO.	REVISIONS	DATE	2006/03/02

CH2M HILL	EarthTech
Frederickson Cooper ARCHITECTS	A Tech International Ltd. Company
ENGINEER'S SEAL	
ORIGINAL SIGNED BY	M. KLASSEN
	2006/03/07
CONSULTANT DRAWING NO.	WL-S0104

THE CITY OF WINNIPEG
WATER AND WASTE DEPARTMENT
ENGINEERING DIVISION

WATER TREATMENT PLANT
CONSTRUCTION OF DEWATERING CELLS

STRUCTURAL
DEWATERING PUMP STATION
SECTIONS AND DETAILS

CITY FILE NUMBER
SHEET OF
CITY DRAWING NUMBER
1-0601L-A-S0104-001-000