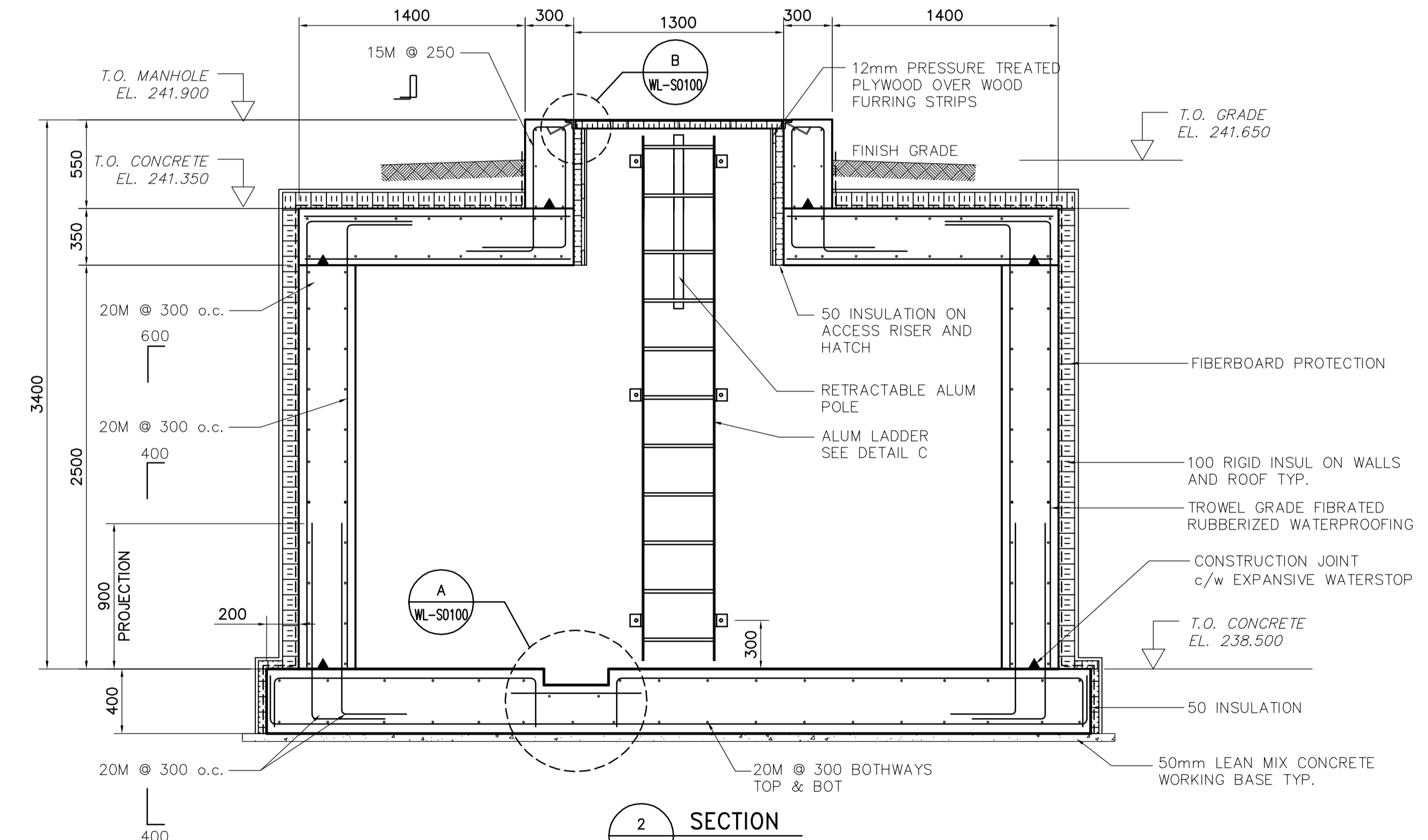
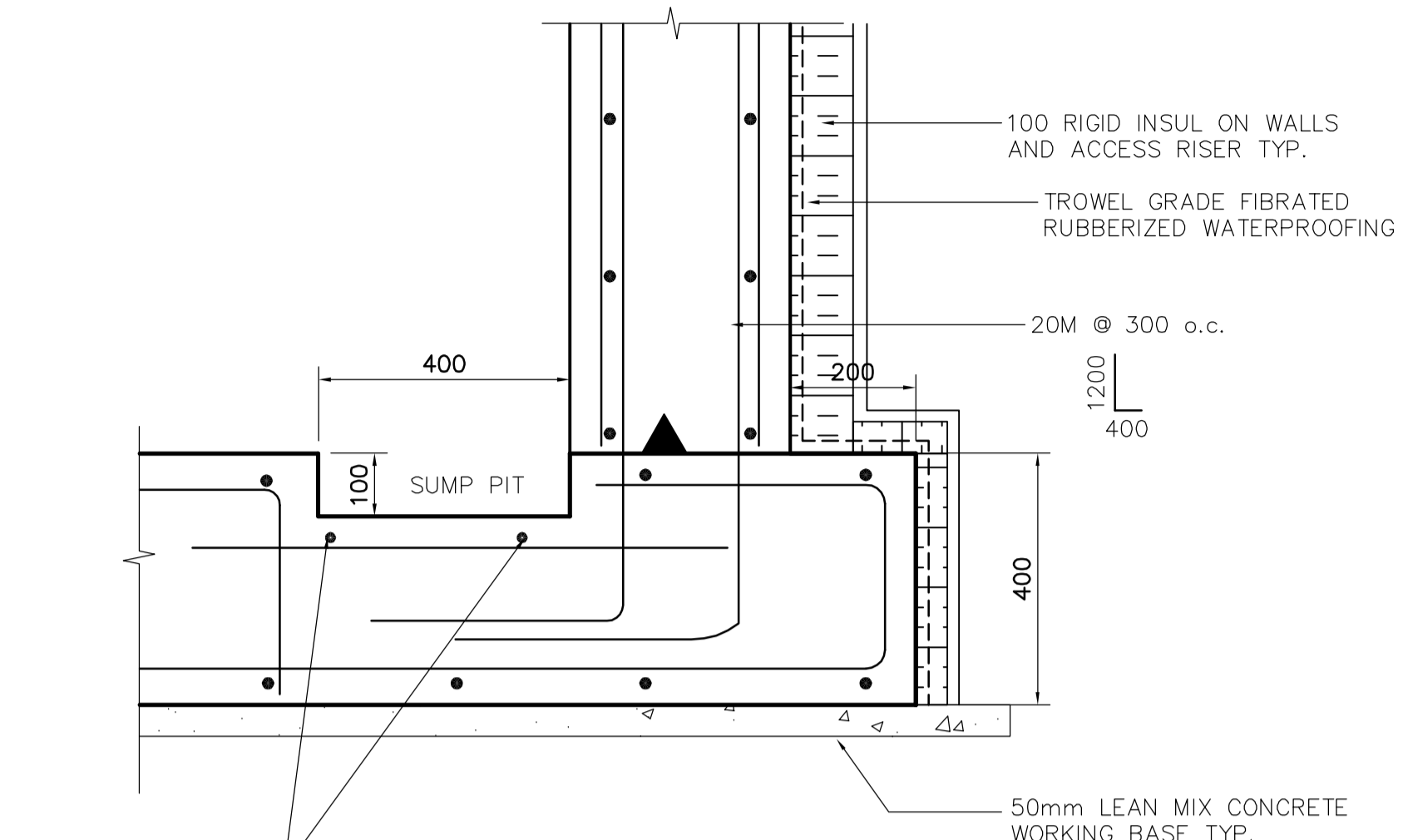


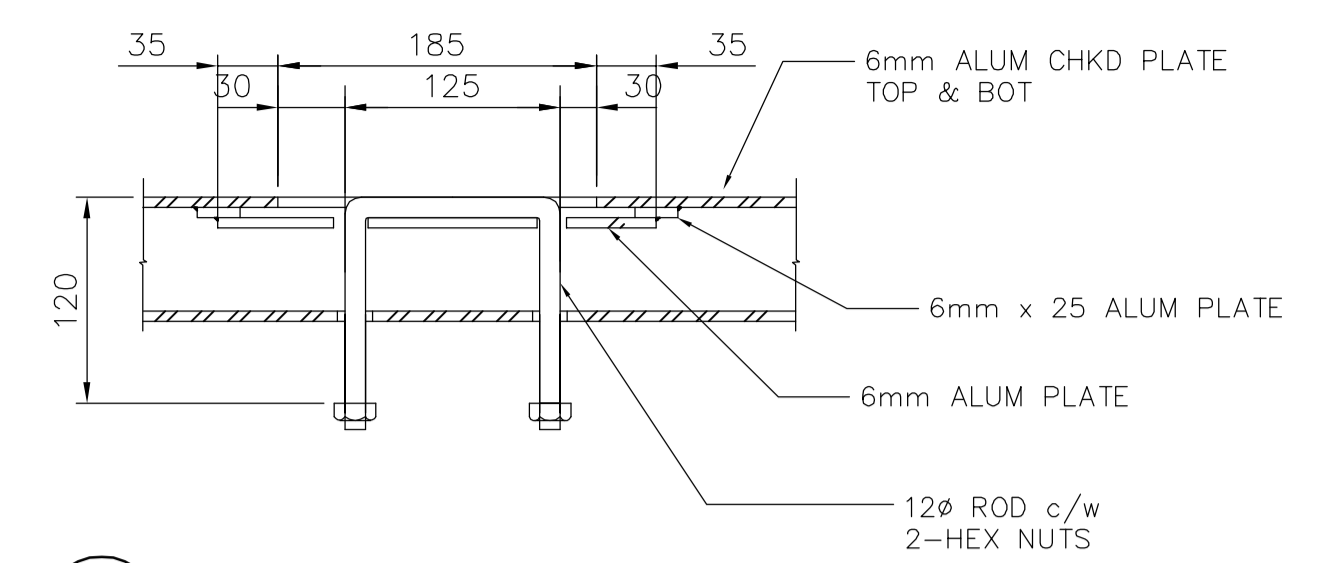
1 PLAN
WL-S0100 SCALE: 1:25



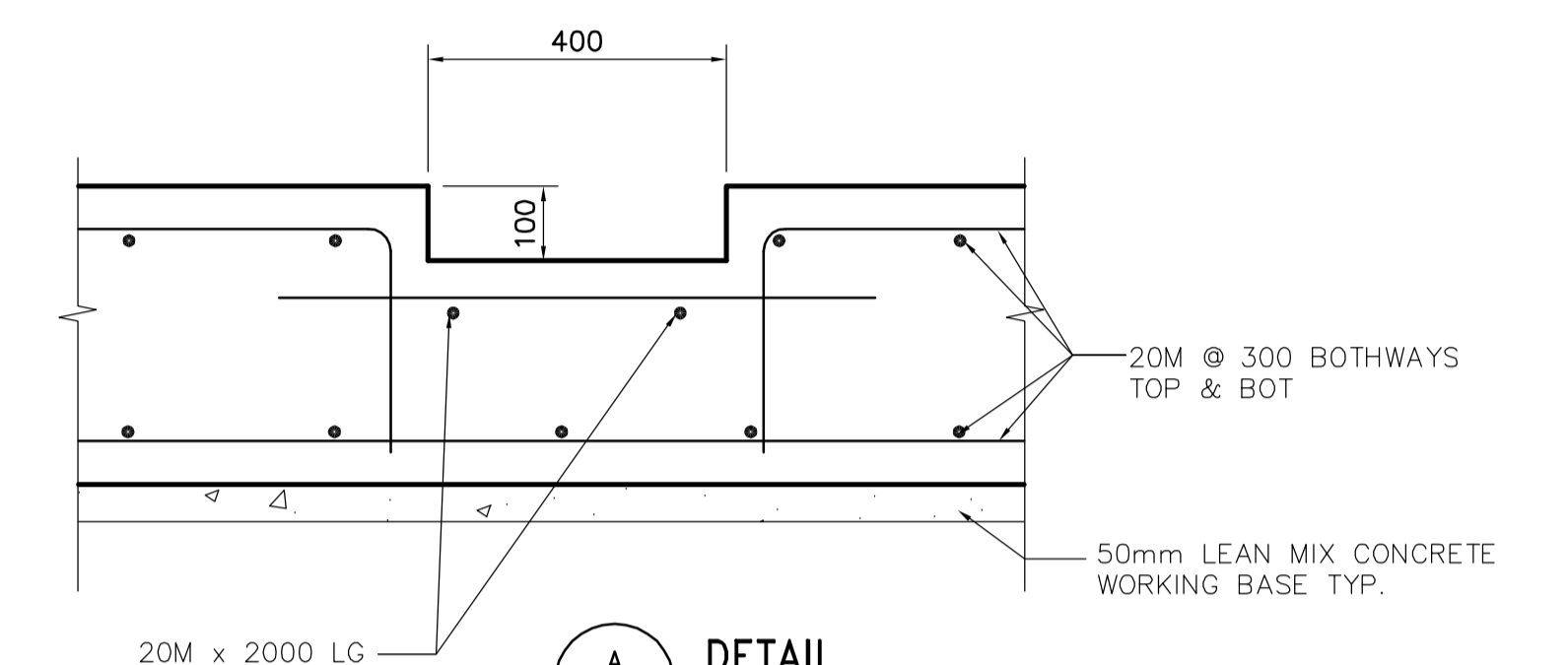
2 SECTION
WL-S0100 SCALE: 1:25



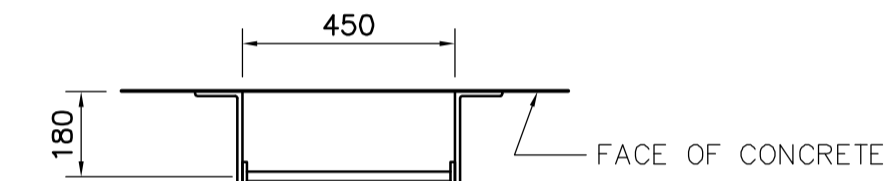
3 SECTION
WL-S0100 SCALE: 1:10



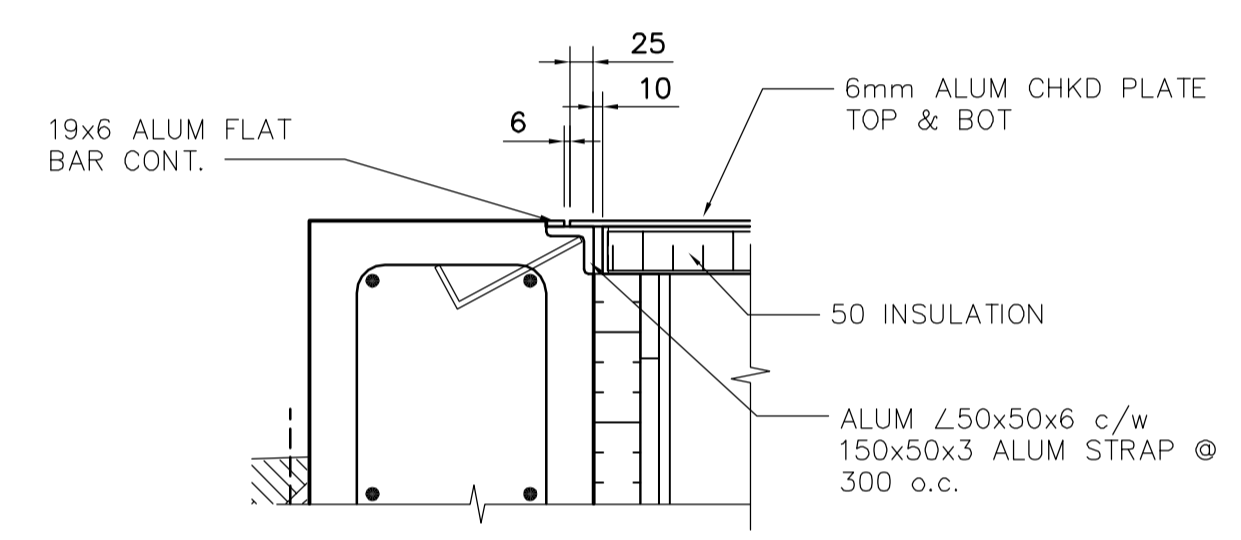
4 SECTION
WL-S0100 SCALE: NTS



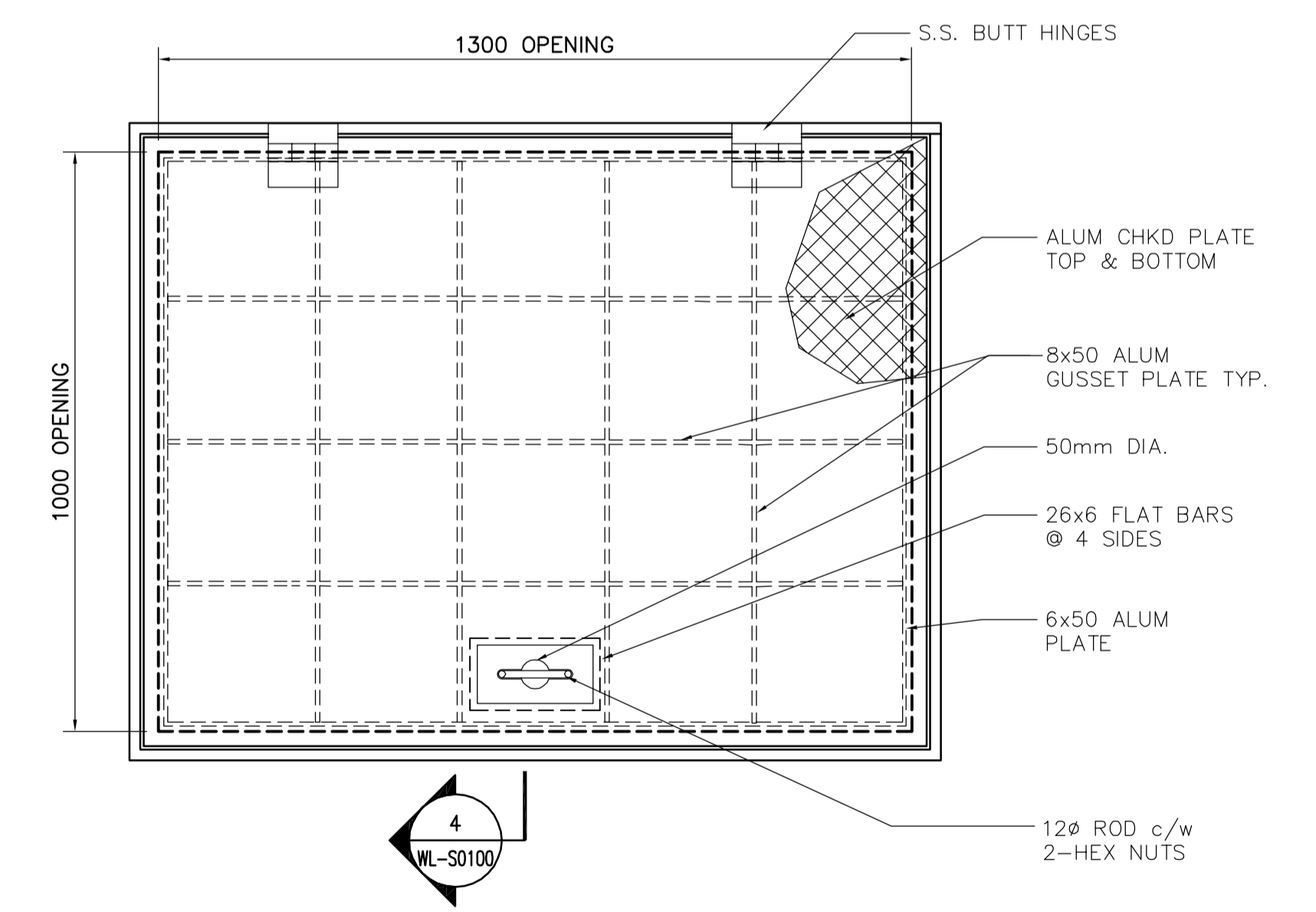
A DETAIL
WL-S0100 SCALE: 1:10



C TYP. ALUMINUM LADDER DETAIL
WL-S0100 SCALE: NTS



B DETAIL
WL-S0100 SCALE: N.T.S.



D ALUM COVER AND FRAME DETAIL
WL-S0100 SCALE: 1:10

APECA
Certificate of Authorization
Earth Tech Canada Inc.
No. 730 Expiry: April 30, 2006

B.M. ELEV.			
DESIGNED BY	FK	CHECKED BY	MK
DRAWN BY	WDB	APPROVED BY	DJT
SCALE:	AS SHOWN	RELEASED FOR CONSTRUCTION BY:	RON SOROKOWSKI
NO.	ISSUED FOR TENDER	DATE	06/03/07
NO.	REVISIONS	DATE	2005/01/11

CH2MHILL
Frederickson Cooper ARCHITECTS

EarthTech
A Tech International Ltd. Company

DESIGNED BY: FK
CHECKED BY: MK
DRAWN BY: WDB
APPROVED BY: DJT
SCALE: AS SHOWN
RELEASED FOR CONSTRUCTION BY: RON SOROKOWSKI
DATE: 2006/03/07

ENGINEER'S SEAL
ORIGINAL SIGNED BY
M. KLASSEN
2006/03/07
CONSULTANT DRAWING NO.
WL-S0100

THE CITY OF WINNIPEG
WATER AND WASTE DEPARTMENT
ENGINEERING DIVISION

WATER TREATMENT PLANT
CONSTRUCTION OF DEWATERING CELLS

STRUCTURAL
METERING CHAMBER
PLANS, SECTIONS AND DETAILS

CITY FILE NUMBER
SHEET OF
CITY DRAWING NUMBER
1-0601L-A-S0100-001-000