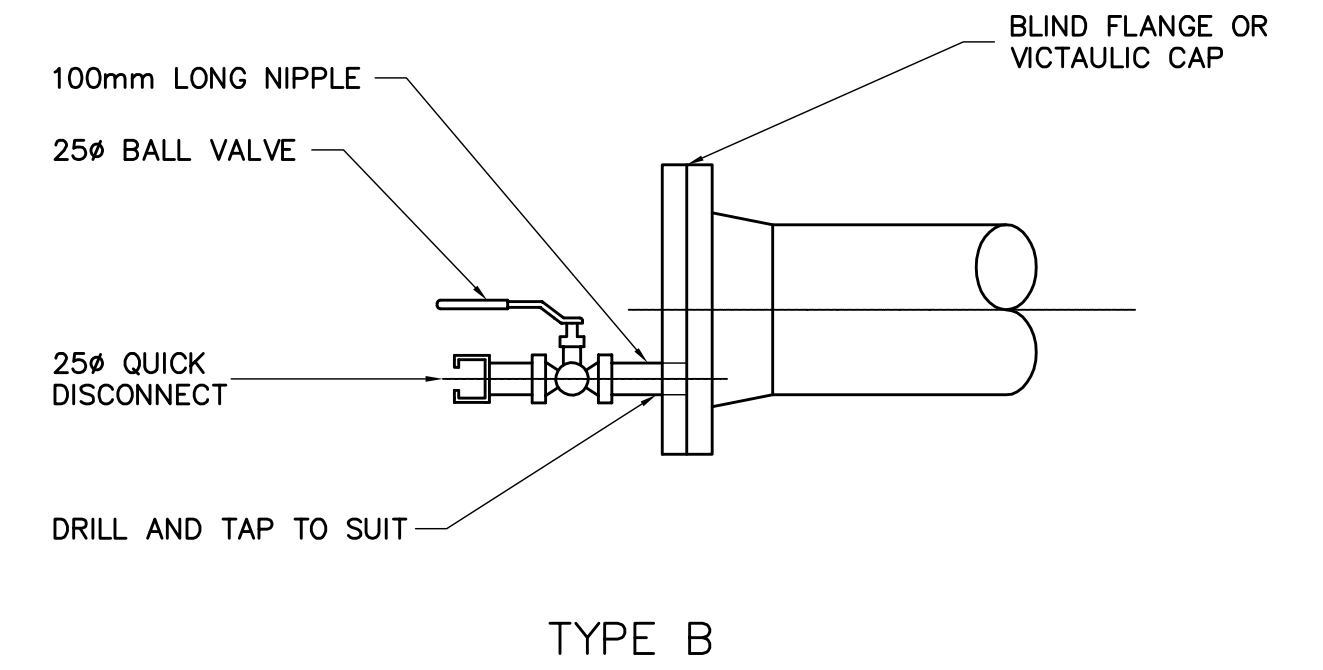
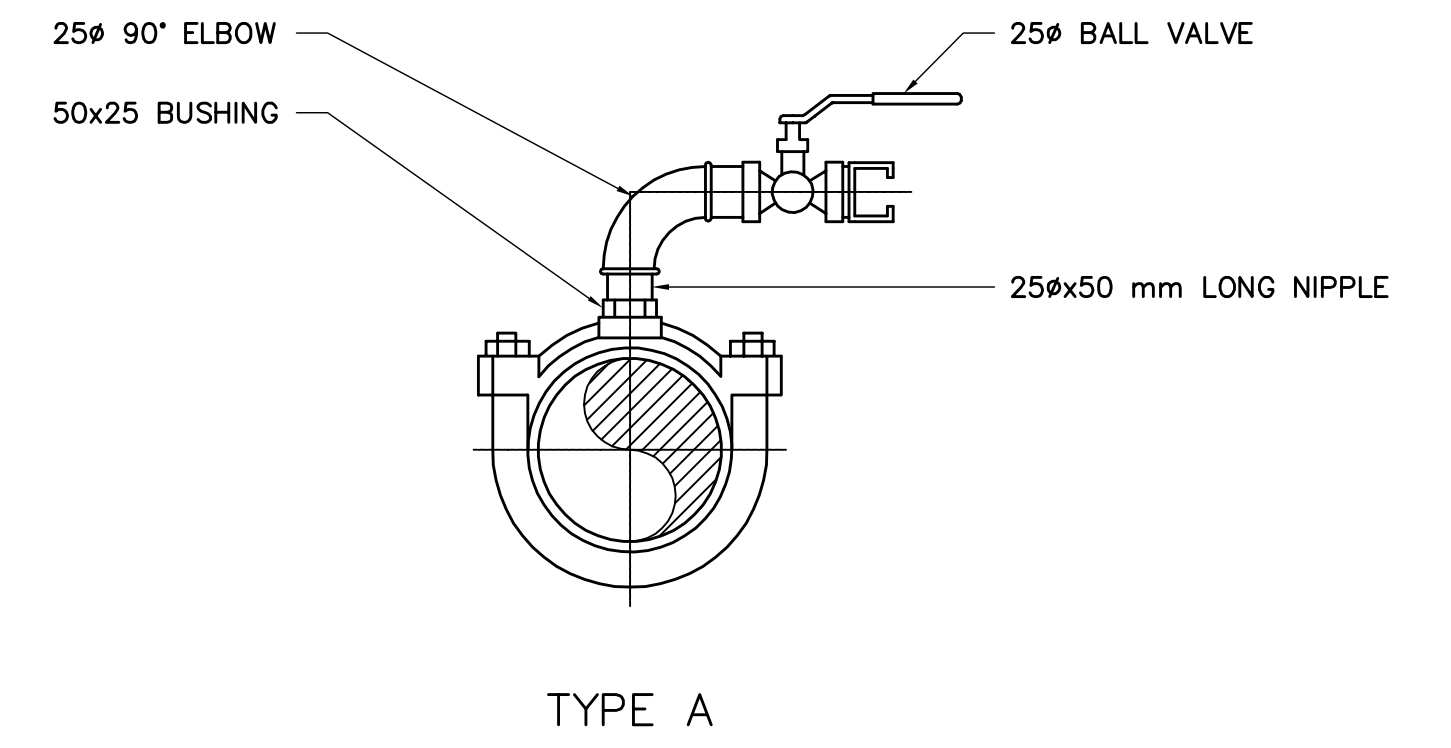
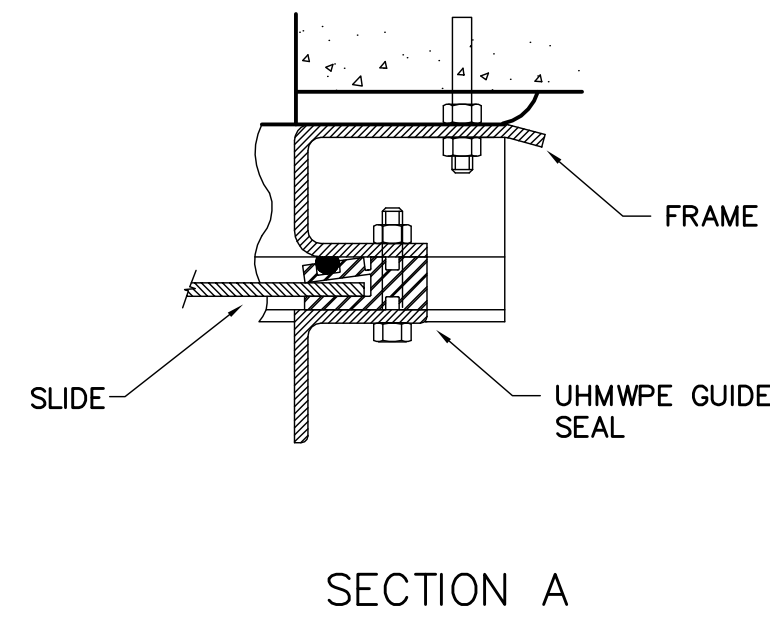
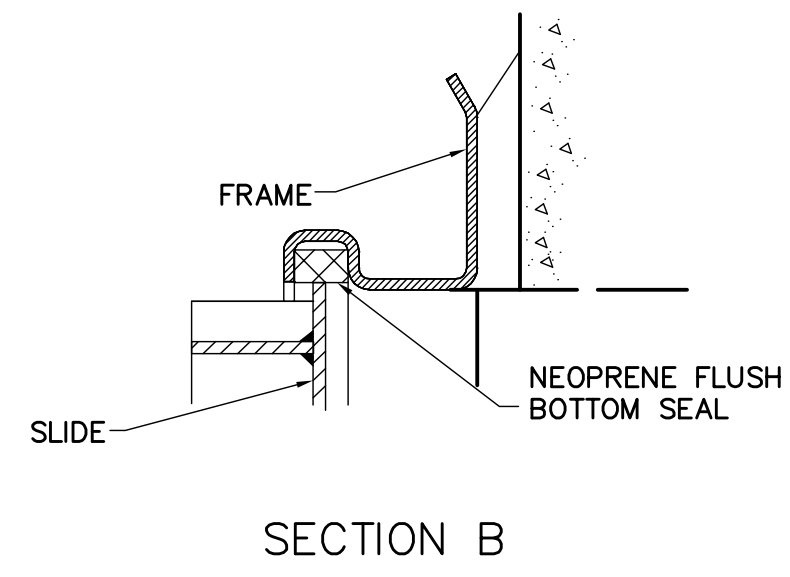


1 1200x600 SLUICE GATE DETAIL
NTS



2 FLUSHING CONNECTION
NTS

APECA
Certificate of Authorization
Earth Tech Canada Inc.
No. 730 Expiry: April 30, 2006

B.M. ELEV.	NO.	REVISIONS	DATE	BY
	00	ISSUED FOR TENDER	06/03/07	JBC

CH2M HILL Frederickson Cooper ARCHITECTS		EarthTech A Tyco International Ltd. Company	
DESIGNED BY: SM	CHECKED BY: SRB	APPROVED BY: DJT	RELEASED FOR CONSTRUCTION BY: R. SOROKOWSKI
DRAWN BY: JBC	SCALE: NONE		

ENGINEER'S SEAL
ORIGINAL SIGNED BY
S.R. BILEVICIUS
2006/03/07
CONSULTANT DRAWING NO.
WL-C0456

THE CITY OF WINNIPEG
WATER AND WASTE DEPARTMENT
ENGINEERING DIVISION

WATER TREATMENT PLANT
CONSTRUCTION OF DEWATERING CELLS

CIVIL
STANDARD DETAILS
SHEET 6

CITY FILE NUMBER
SHEET OF
CITY DRAWING NUMBER
1-0601L-A-C0456-001-000