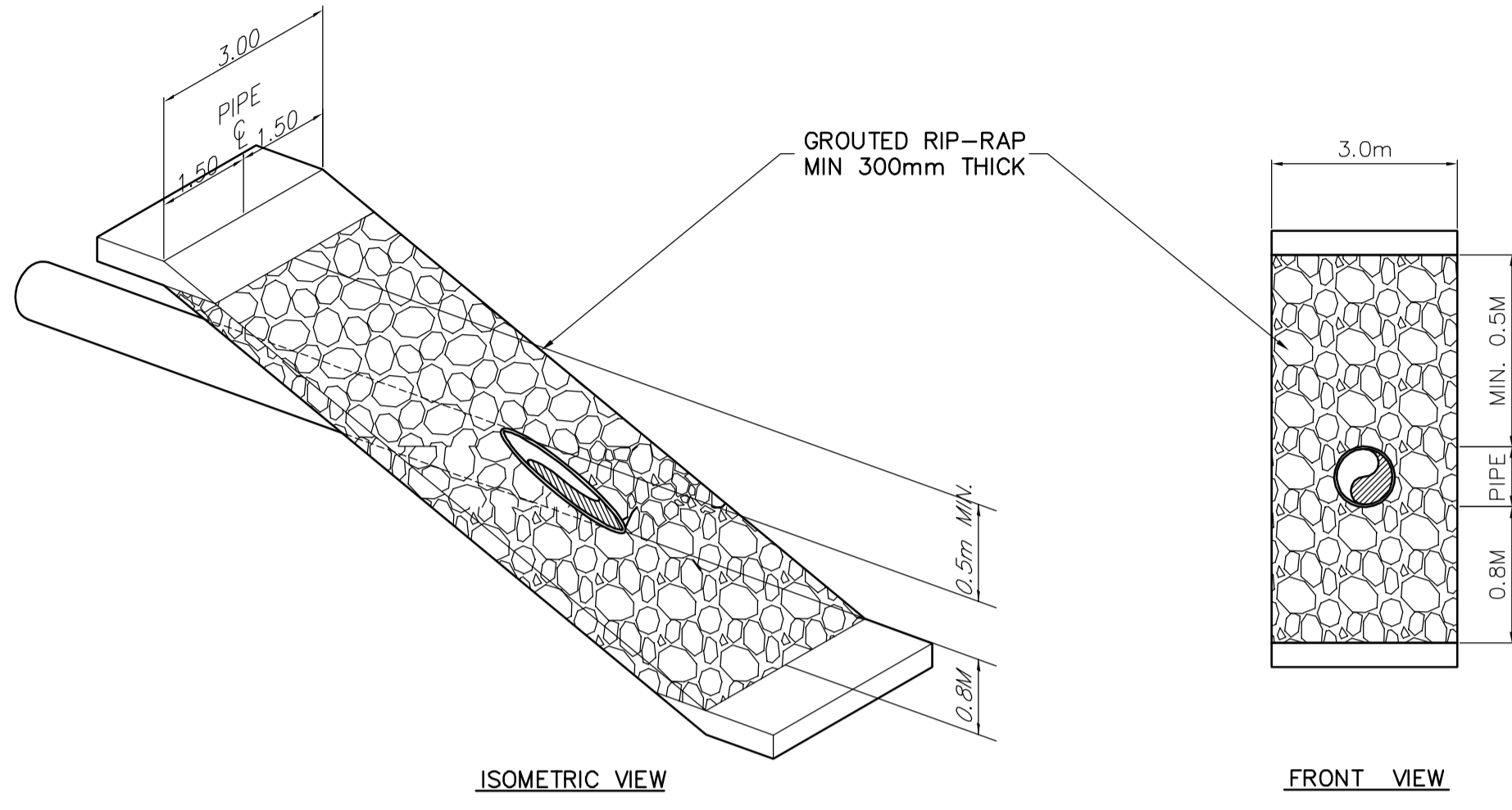
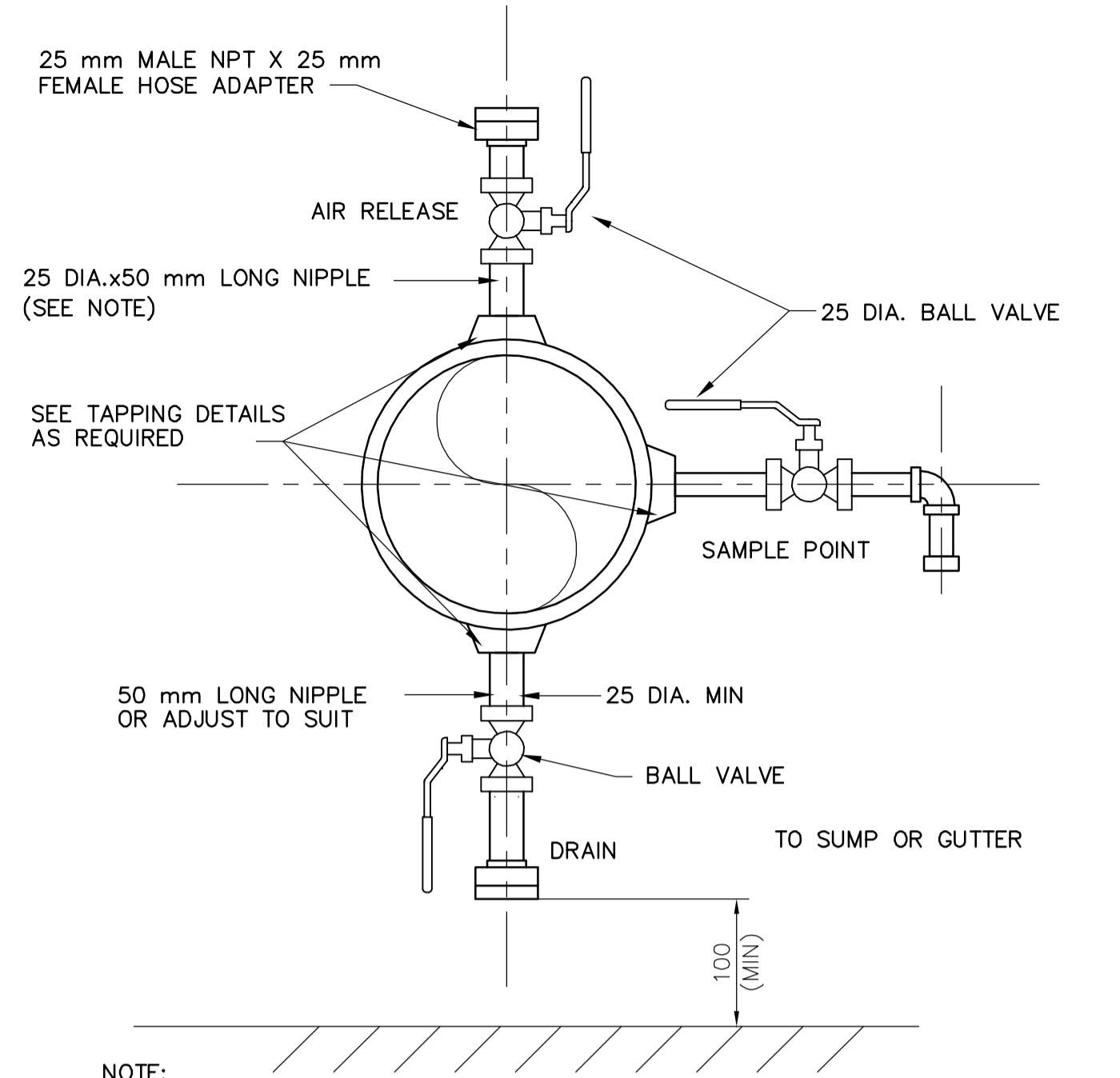


1 WINCH SUPPORT DETAIL

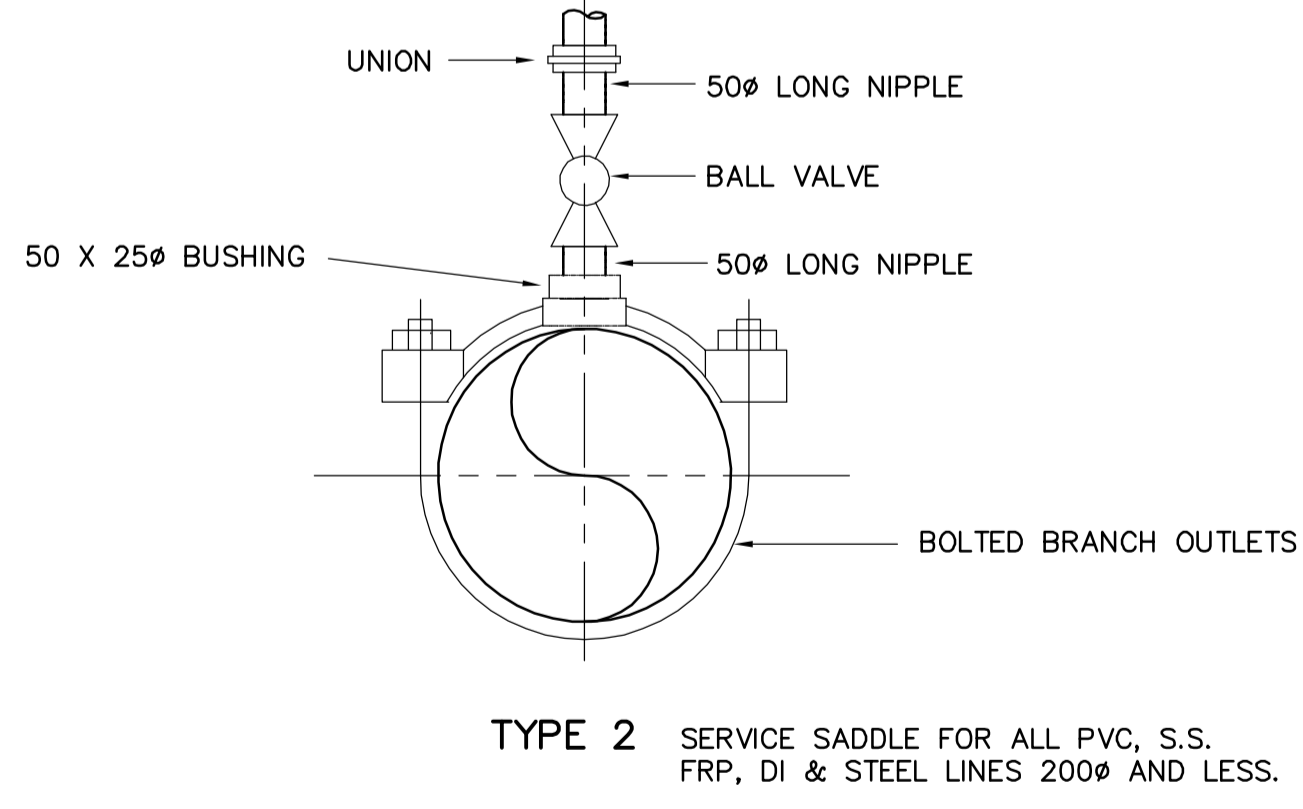
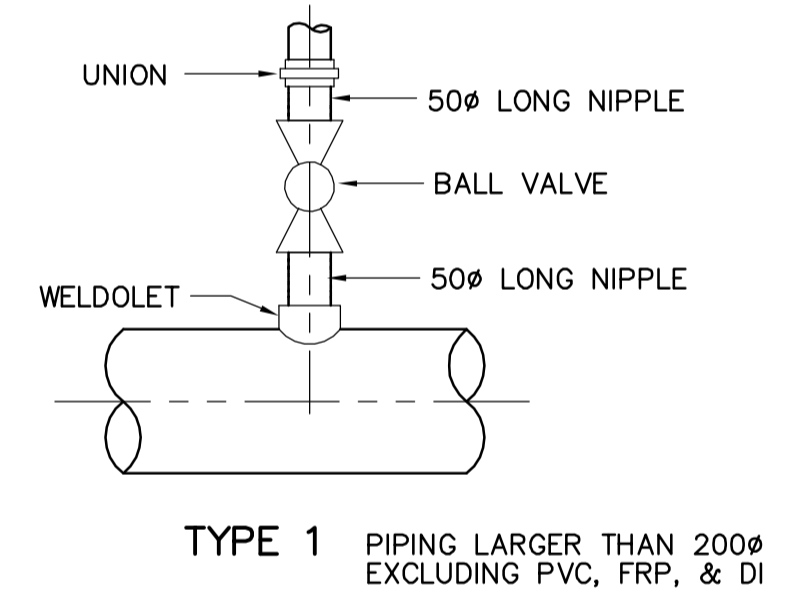


2 PIPE/RIP-RAP DETAIL

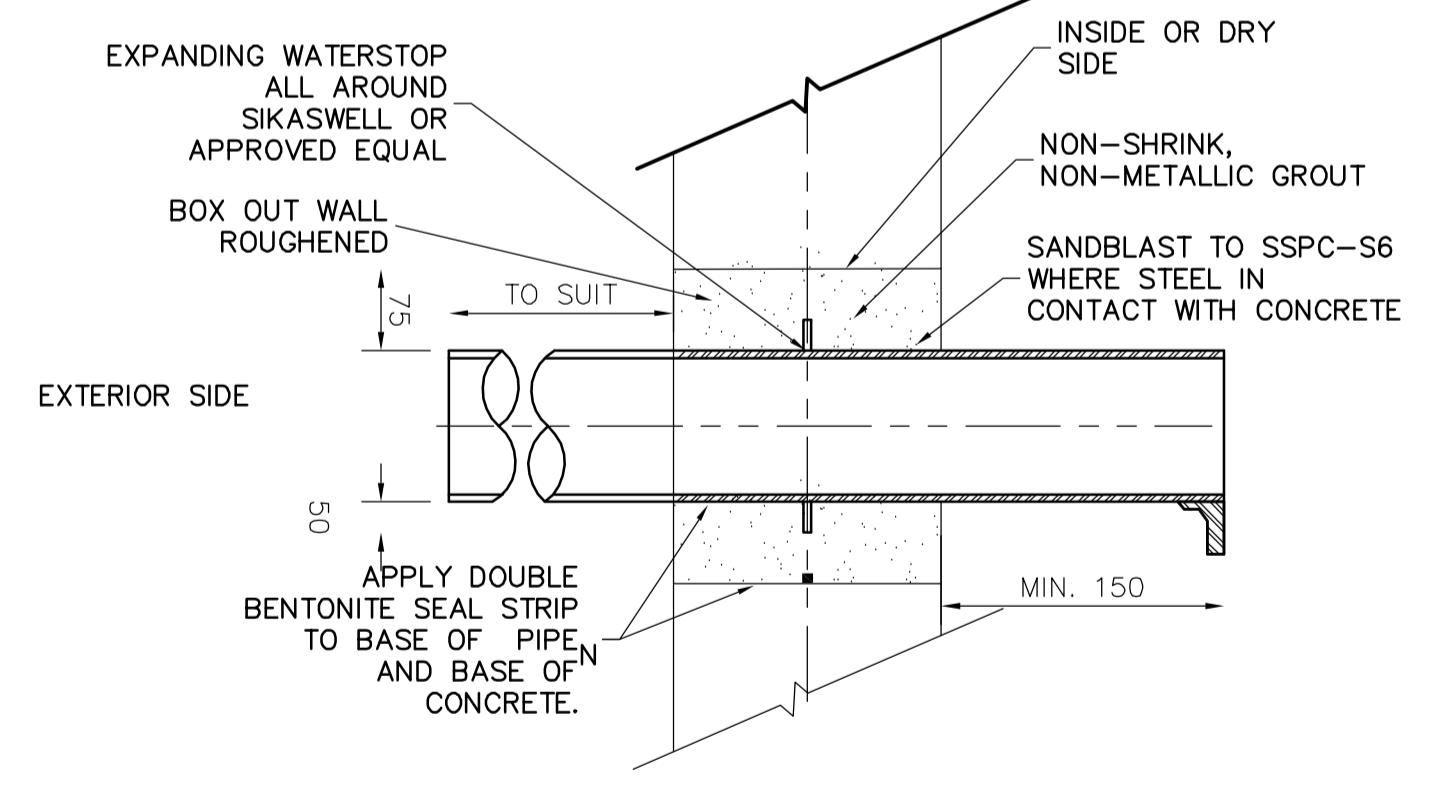


NOTE:
1. WHEN SERVICE PIPE IS MORE THAN 1800 mm ABOVE FLOOR, DRAIN (AIR RELEASE) SHALL BE PIPED DOWN NEAREST WALL WITH A VALVE 1200 mm ABOVE FINISHED FLOOR.

3 25mm AIR RELEASE, SAMPLE AND DRAIN CONNECTION DETAILS

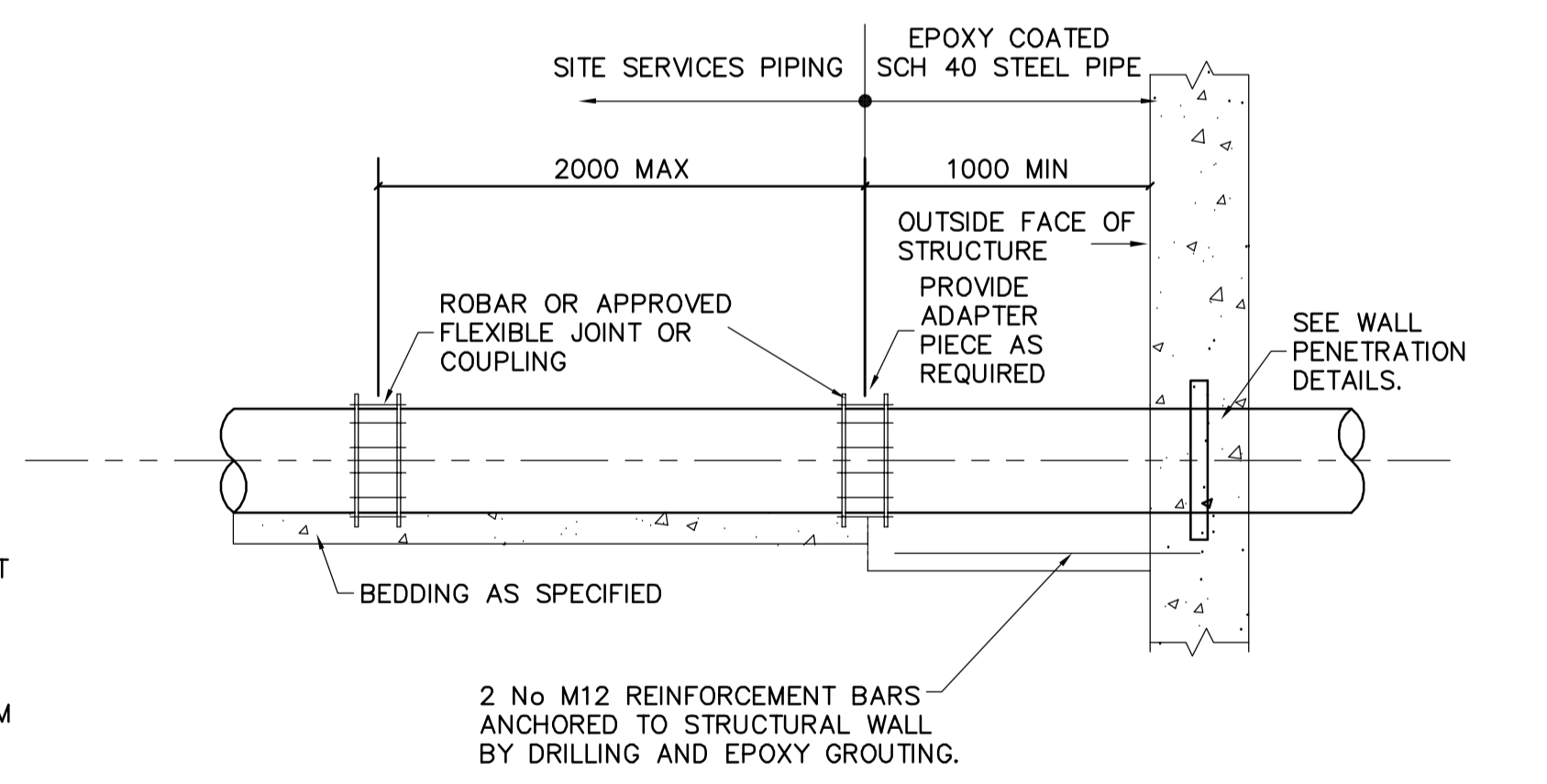


4 TYPE 1 AND 2 TAPPINGS



APPLICATION NOTES
1. CONCRETE WALL
2. STEEL OR STAINLESS STEEL PIPE.
3. CONDITION
a) WET TO DRY
b) WET TO WET
c) INTERIOR TO EXTERIOR
4. NO TRANSVERSE MOVEMENT ALLOWED
5. LIQUID SIDE MUST PASS LEAKAGE TEST TO WHICH STRUCTURE IS SUBJECTED.
6. SAME DETAIL FOR VERTICAL OR HORIZONTAL WALL.
7. PIPE MAY BE CAST IN PLACE WITHIN THE FORMWORK, WITH APPROVAL FROM THE CONTRACT ADMINISTRATOR.

5 TYPE 1 WALL PENETRATION



6 SUPPORTED UNDERGROUND PIPE CONNECTION TO STRUCTURE

APECA
Certificate of Authorization
Earth Tech Canada Inc.
No. 730 Expiry: April 30, 2006

B.M. ELEV.			
DESIGNED BY	SM	CHECKED BY	SRB
DRAWN BY	JBC	APPROVED BY	DJT
SCALE:	NONE	RELEASED FOR CONSTRUCTION BY:	R. SOROKOWSKI
NO.	ISSUED FOR TENDER	DATE	06/03/07
NO.	REVISIONS	DATE	BY
		2006/01/11	

CH2M HILL
Frederickson Cooper ARCHITECTS

EarthTech
A Tyco International Ltd. Company

DESIGNED BY: SM
CHECKED BY: SRB
DRAWN BY: JBC
APPROVED BY: DJT
SCALE: NONE
RELEASED FOR CONSTRUCTION BY: R. SOROKOWSKI

DATE: 2006/01/11
DATE: 06/03/07

ENGINEER'S SEAL
ORIGINAL SIGNED BY
S.R. BILEVICIUS
2006/03/07
CONSULTANT DRAWING NO.
WL-C0455

THE CITY OF WINNIPEG
WATER AND WASTE DEPARTMENT
ENGINEERING DIVISION

Winnipeg

WATER TREATMENT PLANT
CONSTRUCTION OF DEWATERING CELLS

CITY FILE NUMBER
SHEET OF
CITY DRAWING NUMBER
1-0601L-A-C0455-001-000

CIVIL
STANDARD DETAILS
SHEET 5