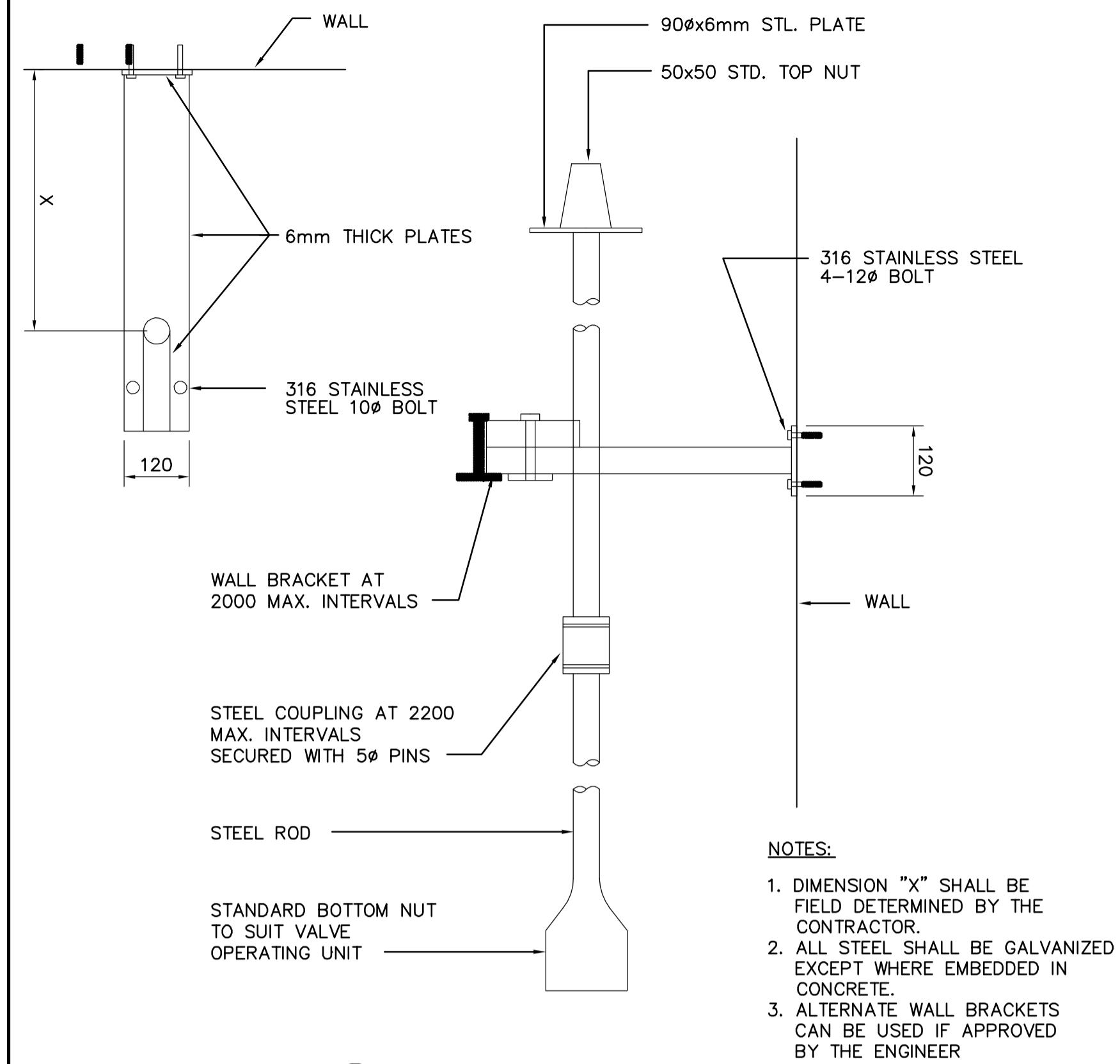
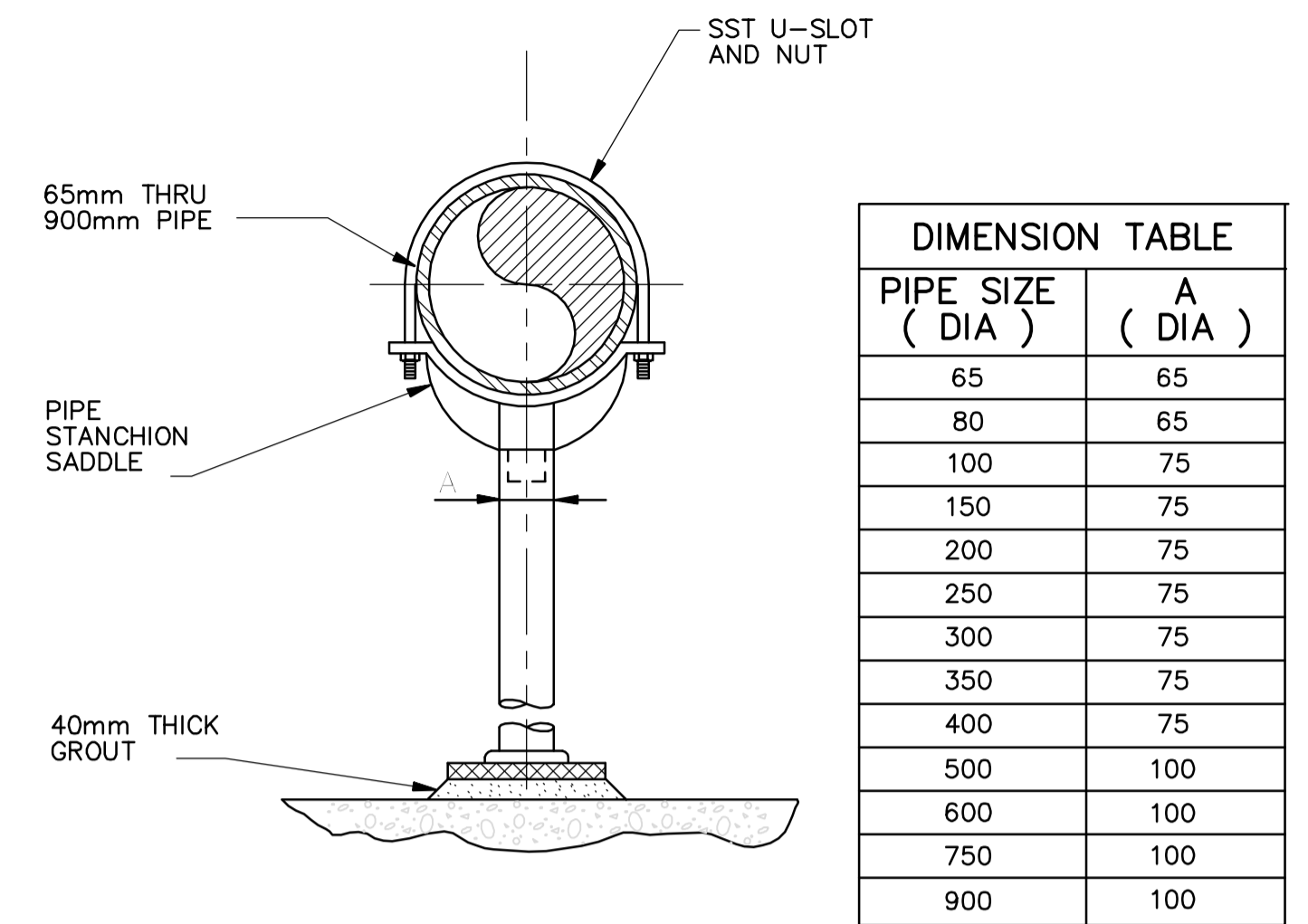


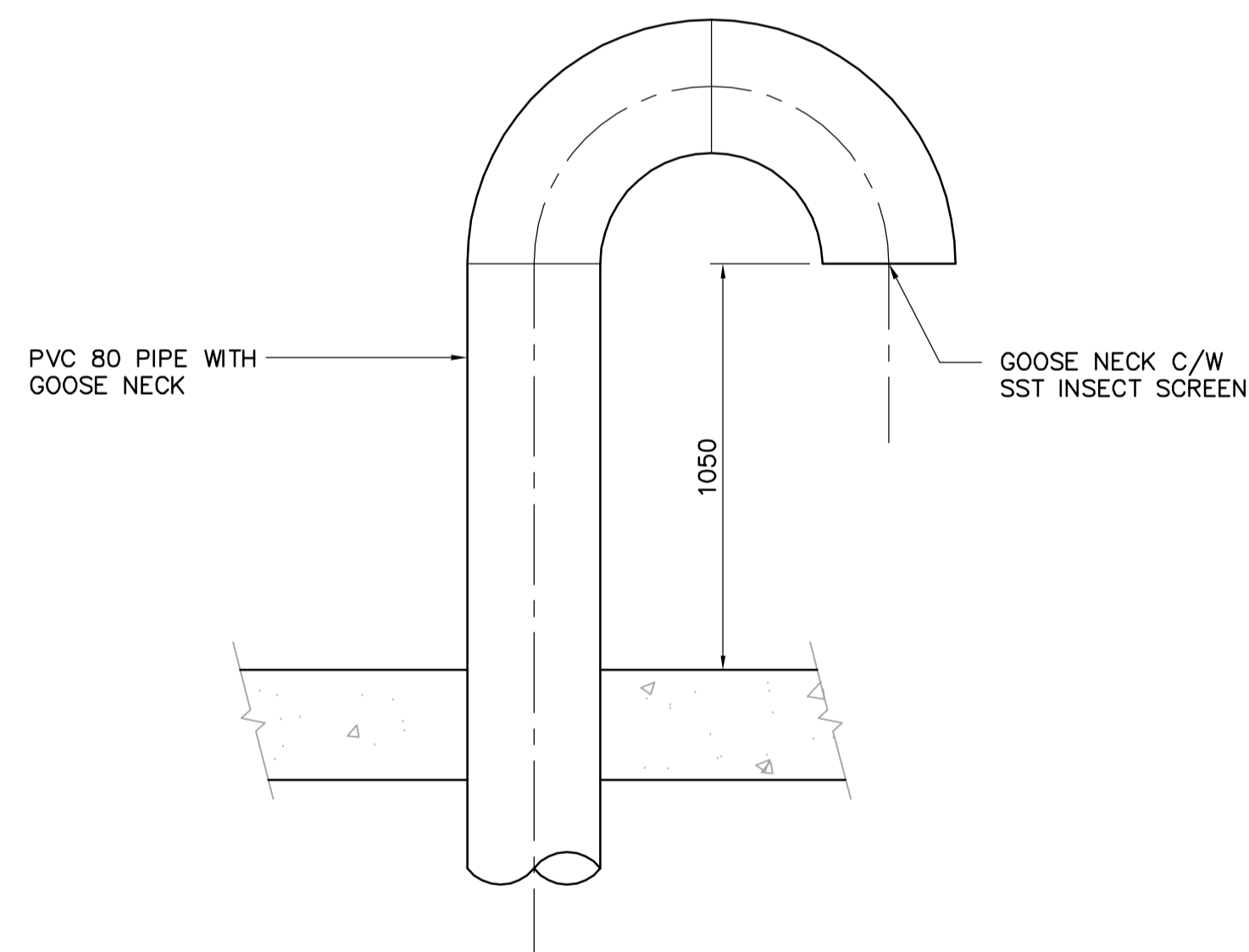
1 BURIED GATE DETAIL
N.T.S.



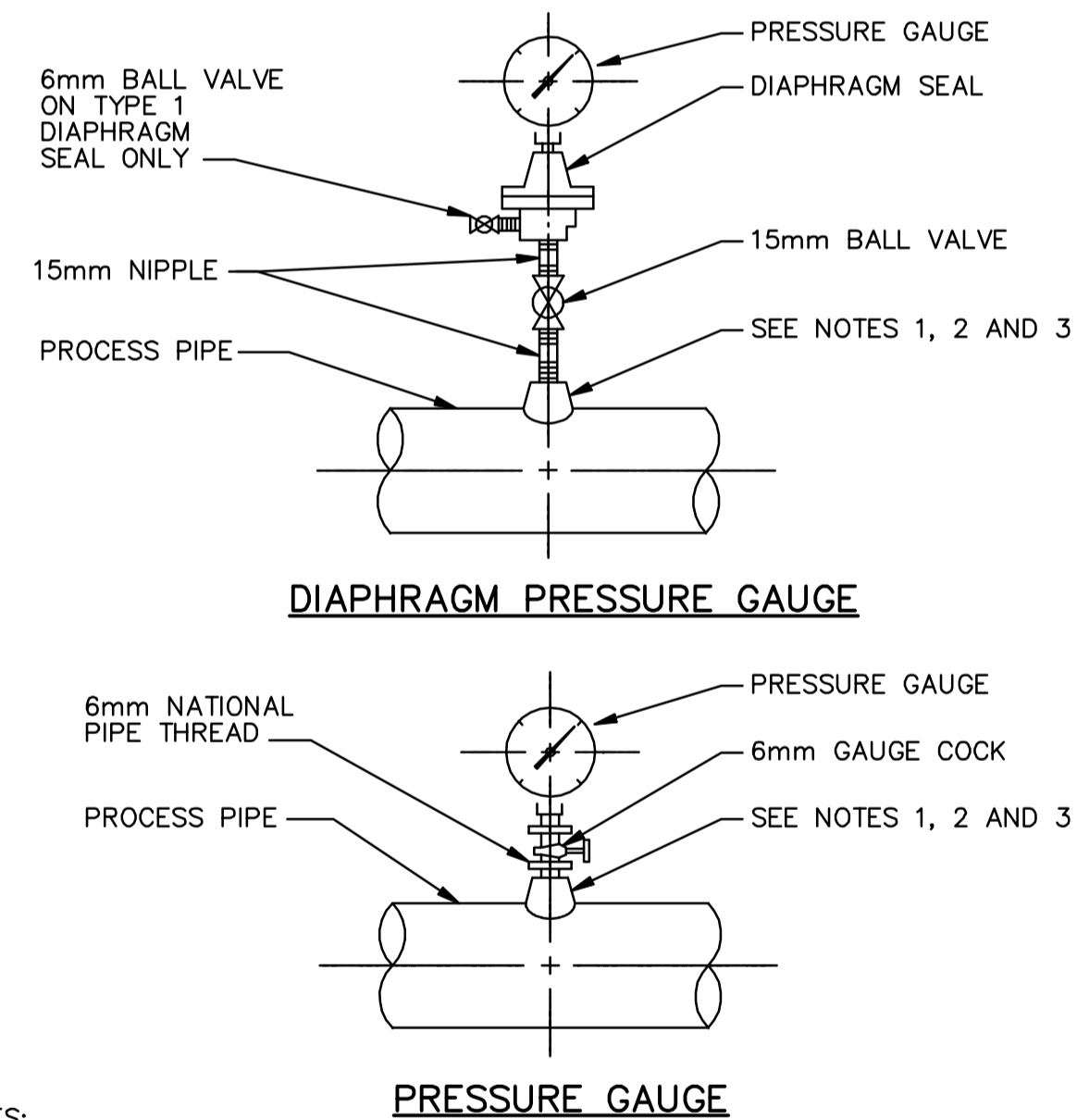
2 VALVE OPERATING ROD AND BRACKET
N.T.S.



3 PIPE SUPPORT
N.T.S.

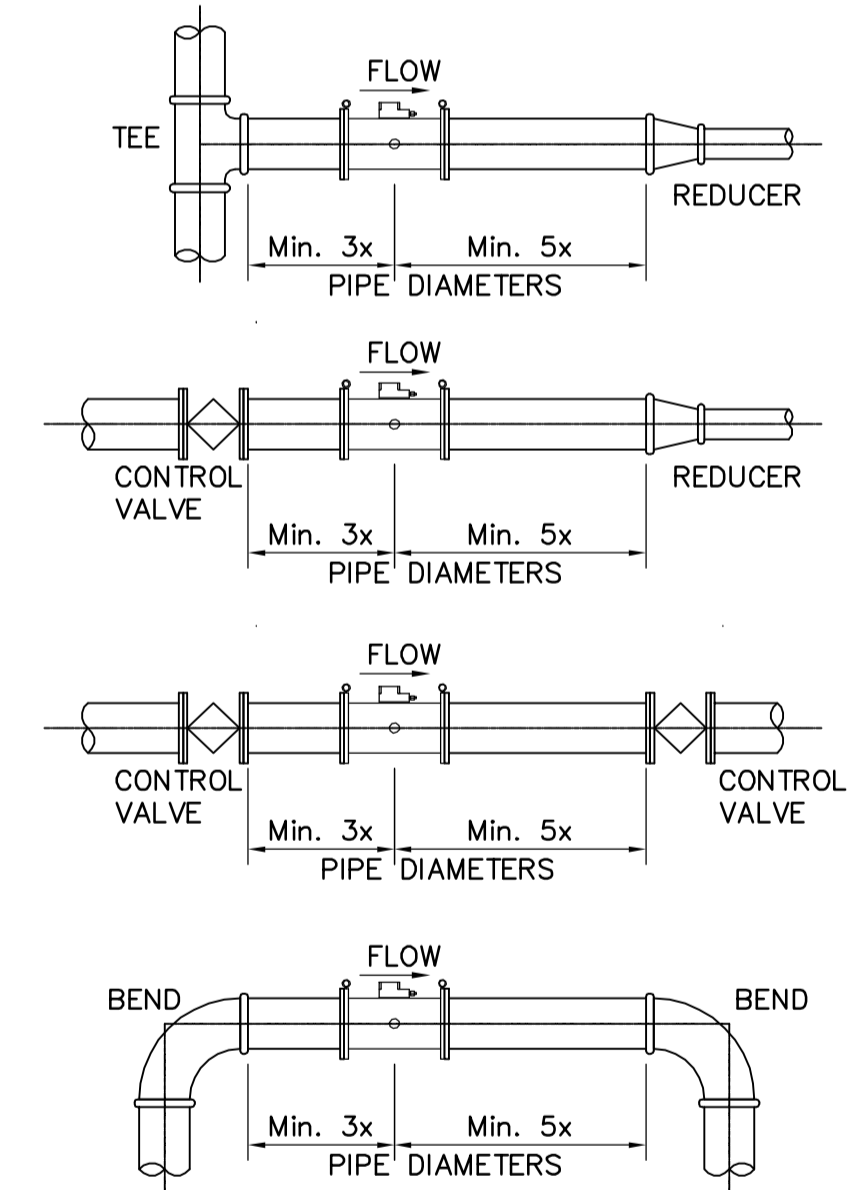


4 GOOSENECK ROOF INTAKE OR DISCHARGE
N.T.S.



5 PRESSURE GAUGE MOUNTING

NOTES:
 1. ALL DIMENSIONS IN MILLIMETERS, UNLESS OTHERWISE NOTED.
 2. FOR STEEL, GALVANISED STEEL, AND PVC 65mm AND SMALLER USE A BUSHING IN A TEE.
 3. FOR DUCTILE IRON AND FIBERGLASS REINFORCED PLASTIC PIPE, ALL SIZES, USE PIPE SADDLE WITH BUSHING.
 4. FOR STEEL AND STAINLESS STEEL PIPES 80mm AND LARGER, AND PRESSURE VESSELS, USE THRED-O-LET AS SHOWN.
 5. PROVIDE SNUBBER FOR POSITIVE DISPLACEMENT PUMP INSTALLATIONS.



6 MAGNETIC FLOWMETER
N.T.S.

NOTES: 1. REFER TO THE MANUFACTURER'S INSTALLATION INSTRUCTIONS IN CONJUNCTION WITH THESE INSTALLATION RECOMMENDATIONS.
 2. WHERE SPECIFIC INSTALLATION CONFLICTS ARISE THAT MIGHT PREVENT THESE INSTALLATION RECOMMENDATIONS FROM BEING COMPLIED WITH, CONSULT THE ENGINEER BEFORE PROCEEDING WITH THE INSTALLATION.
 3. WHERE THE DRAWINGS INDICATE DIMENSIONS THAT DIFFER FROM THESE DETAILS, THE DRAWINGS SHALL TAKE PRIORITY.

APECA
Certificate of Authorization
Earth Tech Canada Inc.
No. 730 Expiry: April 30, 2006

| NO. | REVISIONS | DATE | BY | DATE | BY |
|-----|-------------------|----------|-----|------------|----|
| 00 | ISSUED FOR TENDER | 06/03/07 | JBC | 2006/01/11 | |

| DESIGNED BY | | CHECKED BY | |
|-------------|--|-------------------------------|----------|
| SM | | SRB | |
| DRAWN BY | | APPROVED BY | |
| JBC | | DJT | |
| SCALE: | | RELEASED FOR CONSTRUCTION BY: | |
| NONE | | R. SOROKOWSKI | |
| | | DATE | DATE |
| | | 2006/01/11 | 06/03/07 |

ENGINEER'S SEAL
 ORIGINAL SIGNED BY
 S.R. BILEVICIUS
 2006/03/07
 CONSULTANT DRAWING NO.
 WL-C0454

THE CITY OF WINNIPEG
 WATER AND WASTE DEPARTMENT
 ENGINEERING DIVISION

WATER TREATMENT PLANT
 CONSTRUCTION OF DEWATERING CELLS

CIVIL
 STANDARD DETAILS
 SHEET 4

CITY FILE NUMBER
 SHEET OF
 CITY DRAWING NUMBER
 1-0601L-A-C0454-001-000