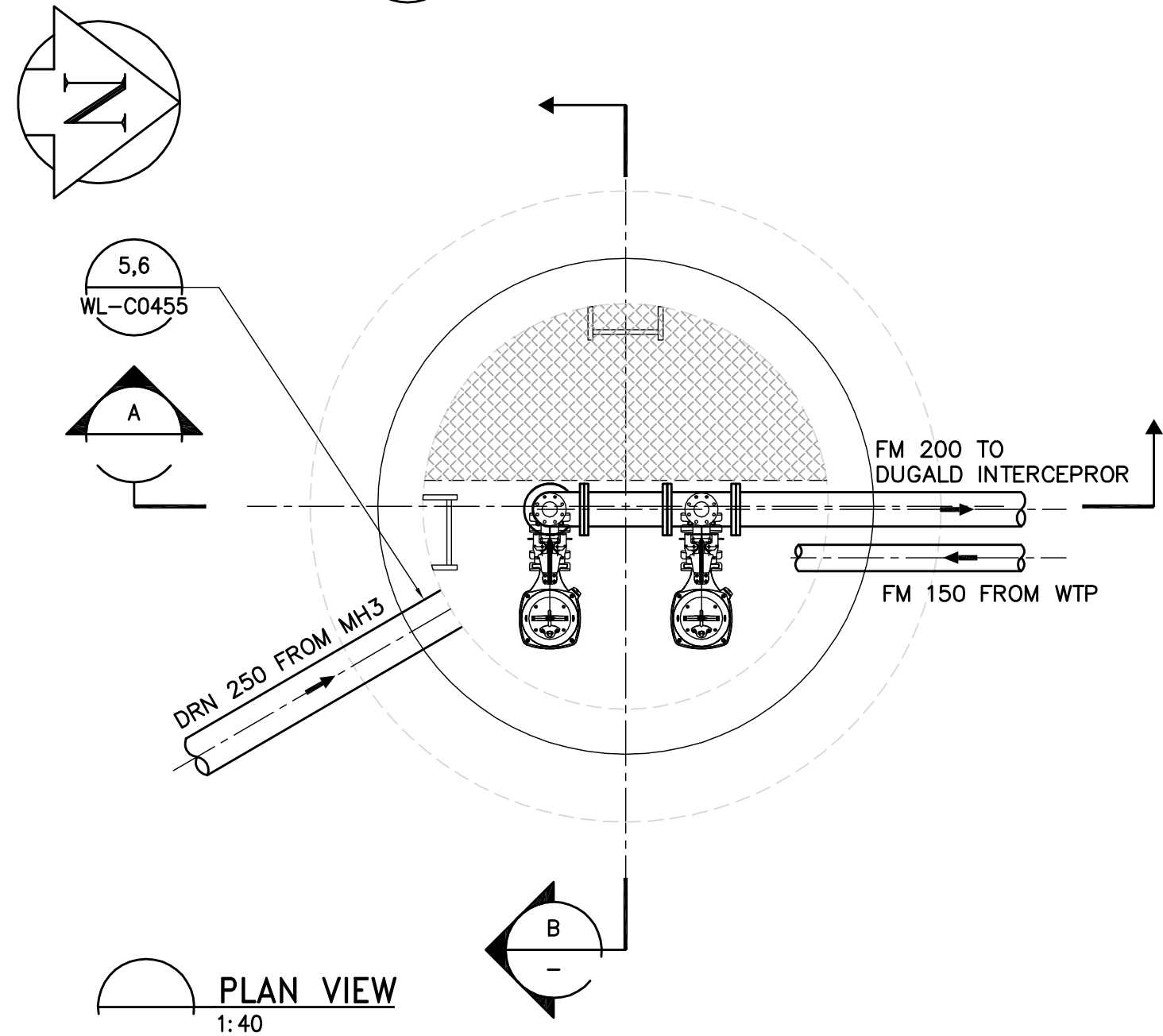
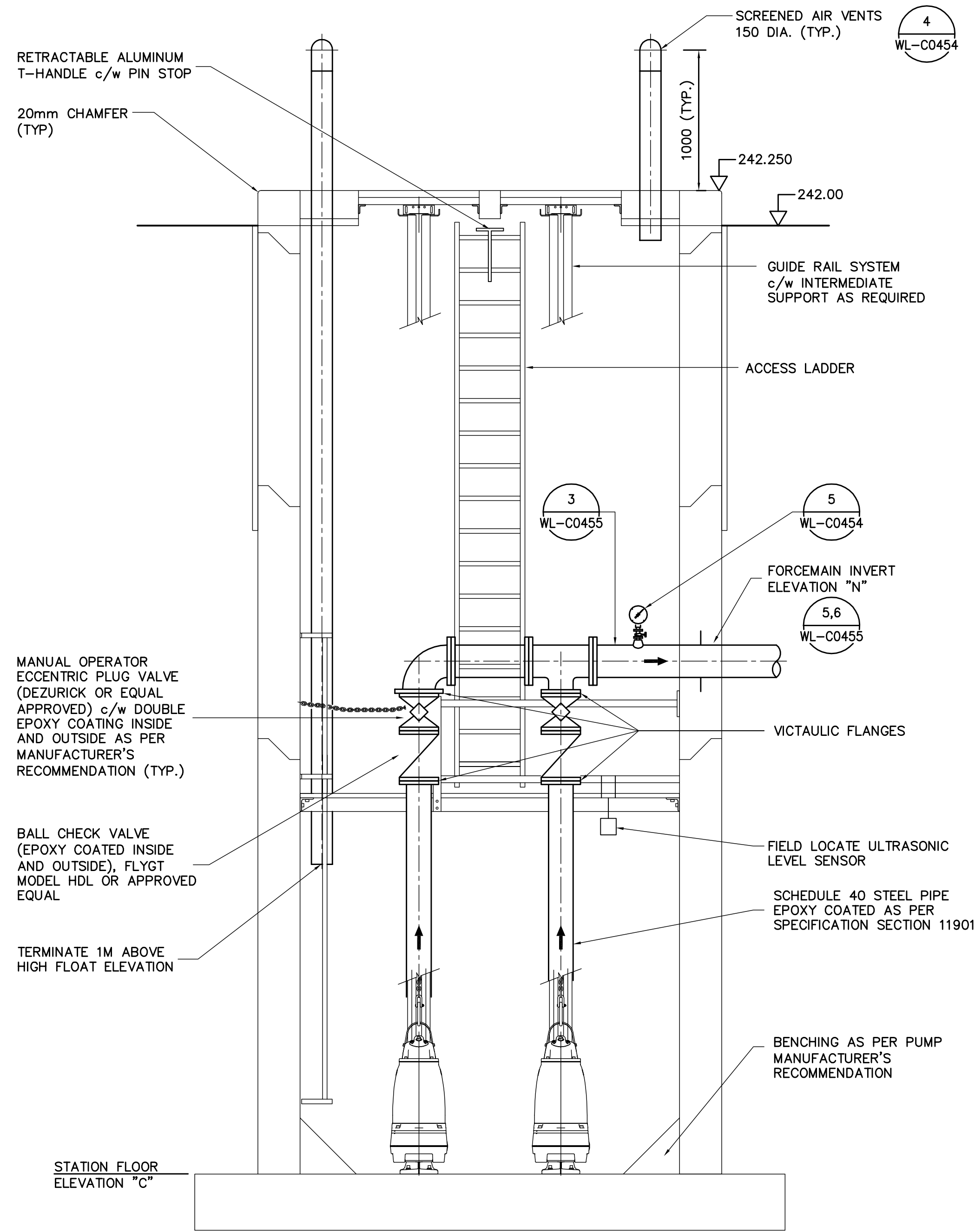


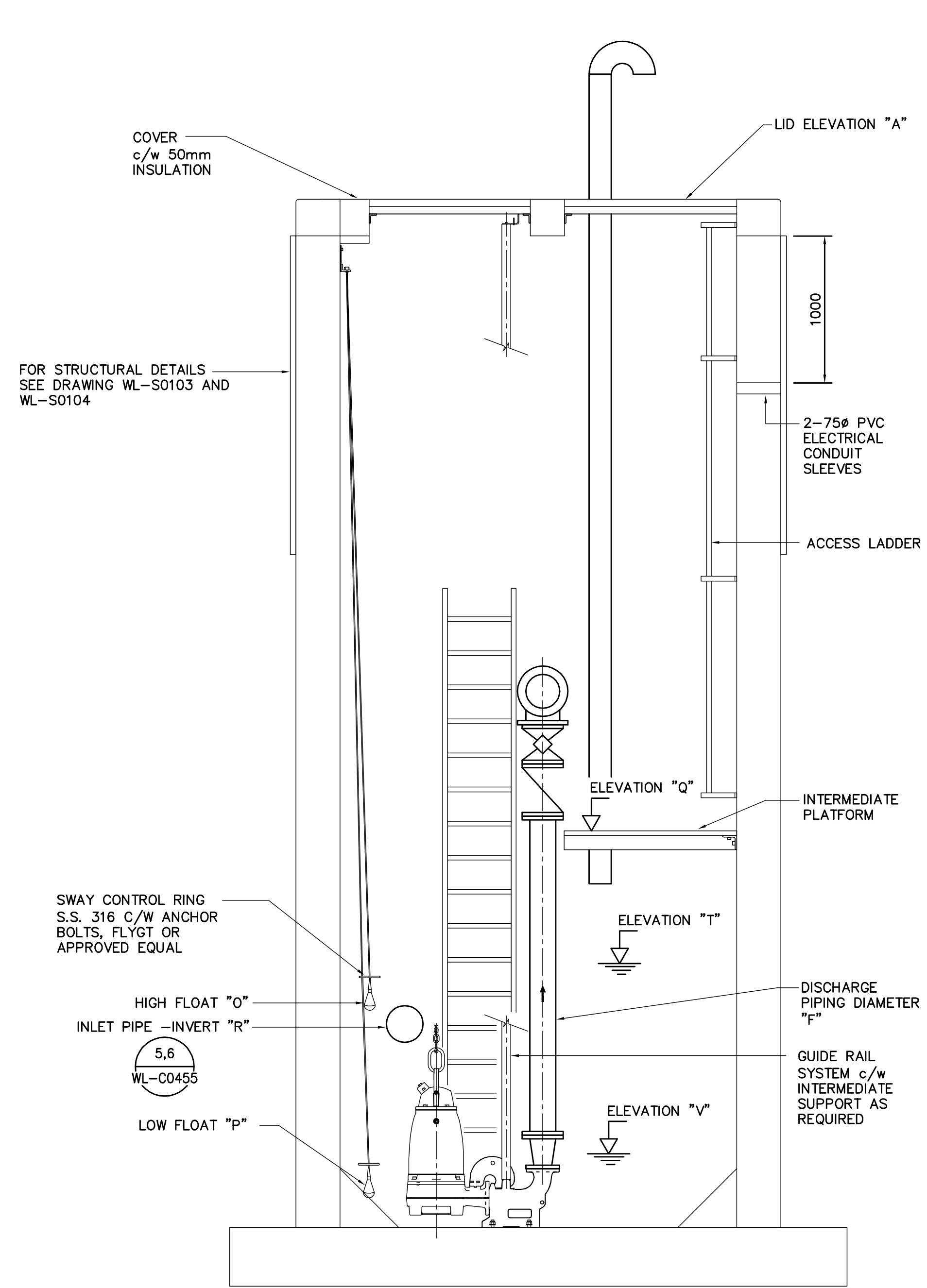
PLAN VIEW AT 242.25
1:40



PLAN VIEW
1:40



SECTION A
1:25



SECTION B
1:25

PARAMETERS	LETTER	DIAMETER	ELEVATION	OTHER NOTES
LID ELEVATION	A	N/A	242.25	
FINISHED GRADE ELEVATION	B		242.00	
STATION FLOOR ELEVATION	C		235.25	
STATION DIAMETER	D	2.7m		
TOTAL DEPTH	E			7.0M
INDIVIDUAL PUMP DISCHARGE PIPING DIA.	F	150mm	238.80	
NUMBER OF PUMPS	G			2
PUMP TYPE	H			FLYGT OR EQUAL
PUMP MODEL No.	I			NP3171 SH
POWER SUPPLY VOLTAGE	J			600V
POWER TYPE (NO. OF PHASES)	K			3
INVERT INLET PIPE FROM WTP	M	150mm	239.35	
FORCEMAIN INVERT ELEVATION & DIA.	N	200mm	239.35	
HIGH FLOAT ELEVATION	O		237.25	
LOW FLOAT ELEVATION	P		235.55	
INTERMEDIATE PLATFORM ELEVATION	Q		237.55	
INVERT INLET PIPE FROM MH3	R	250mm	236.45	
PUMP LEAD START ELEVATION	T		237.25	
PUMP LAG START ELEVATION	U	N/A	N/A	
ALL PUMPS OFF ELEVATION	V		235.75	
FLOW RATE AND HEAD	X			35.5 L/s @ 42m

- NOTES:
- CONTRACTOR TO FIELD VERIFY SURFACE ELEVATIONS IN CASE OF VARIATION. ALL ELEVATIONS SHALL BE ADJUSTED ACCORDINGLY.
 - FOR ALL FITTINGS BELOW GRADE, PROVIDE CONCRETE THRUST BLOCKS AS PER CITY OF WINNIPEG STANDARD CONSTRUCTION SPECIFICATIONS.
 - SECURE CONNECTIONS FOR PIPING TO PREVENT VIBRATIONS.
 - PROVIDE SUITABLE LENGTH CABLES.

<p>Certificate of Authorization Earth Tech Canada Inc. No. 730 Expiry: April 30, 2006</p>	<p>Frederickson Cooper ARCHITECTS</p>	<p>A Tyco International Ltd. Company</p>	<p>ENGINEER'S SEAL</p> <p>ORIGINAL SIGNED BY S.R. BILEVICIUS 2006/03/07</p>	<p>THE CITY OF WINNIPEG WATER AND WASTE DEPARTMENT ENGINEERING DIVISION</p> <p>WATER TREATMENT PLANT CONSTRUCTION OF DEWATERING CELLS</p> <p>CITY FILE NUMBER SHEET OF CITY DRAWING NUMBER 1-0601L-A-C0405-001-000</p>	
	<p>DESIGNED BY: SM</p> <p>CHECKED BY: SRB</p>	<p>DRAWN BY: JBC</p> <p>APPROVED BY: DJT</p>	<p>SCALE: AS NOTED</p> <p>RELEASED FOR CONSTRUCTION BY: R. SOROKOWSKI</p>		<p>CONSULTANT DRAWING NO. WL-C0405</p>
	<p>NO. REVISIONS</p>	<p>DATE BY</p>	<p>DATE</p>		<p>DATE</p>
	<p>00 ISSUED FOR TENDER 06/03/07 JBC</p>	<p>2005/12/23</p>	<p>06/03/07</p>		<p>06/03/07</p>