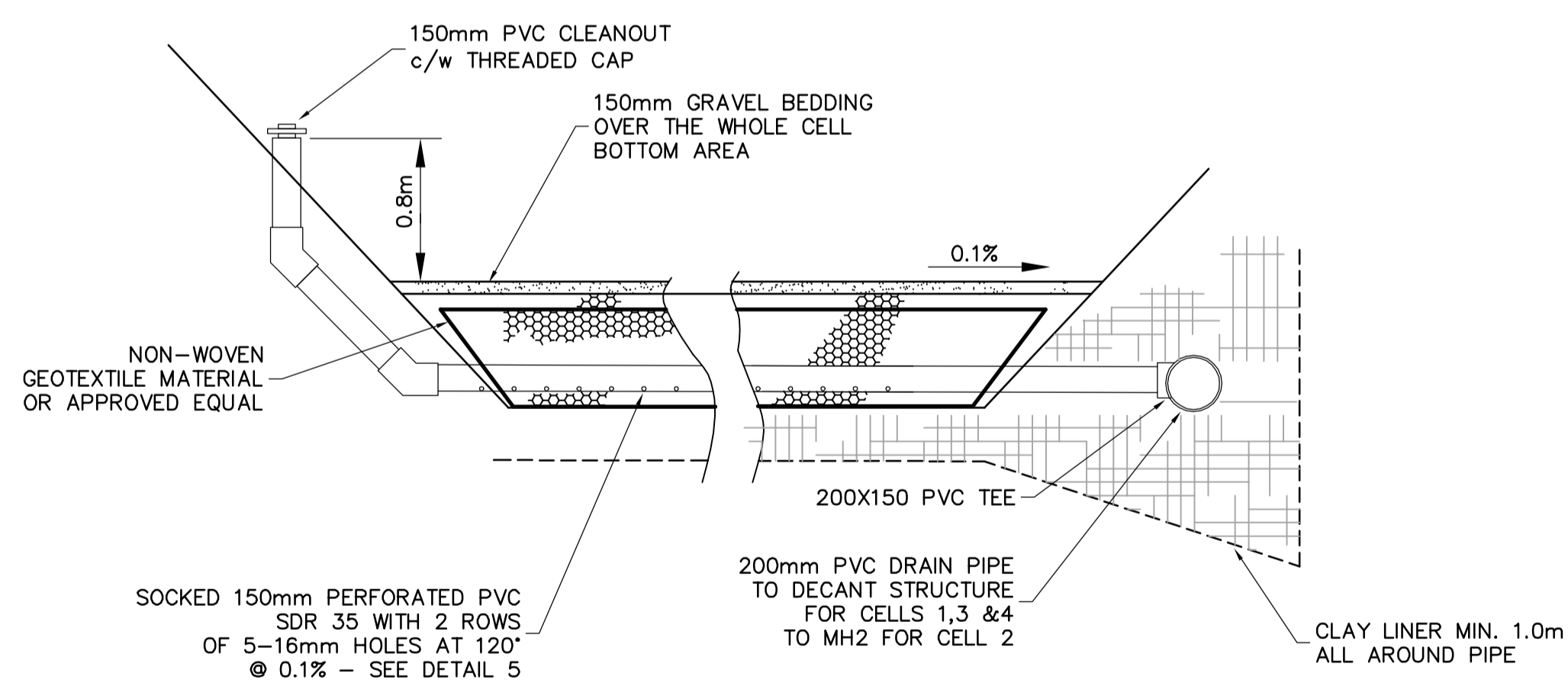
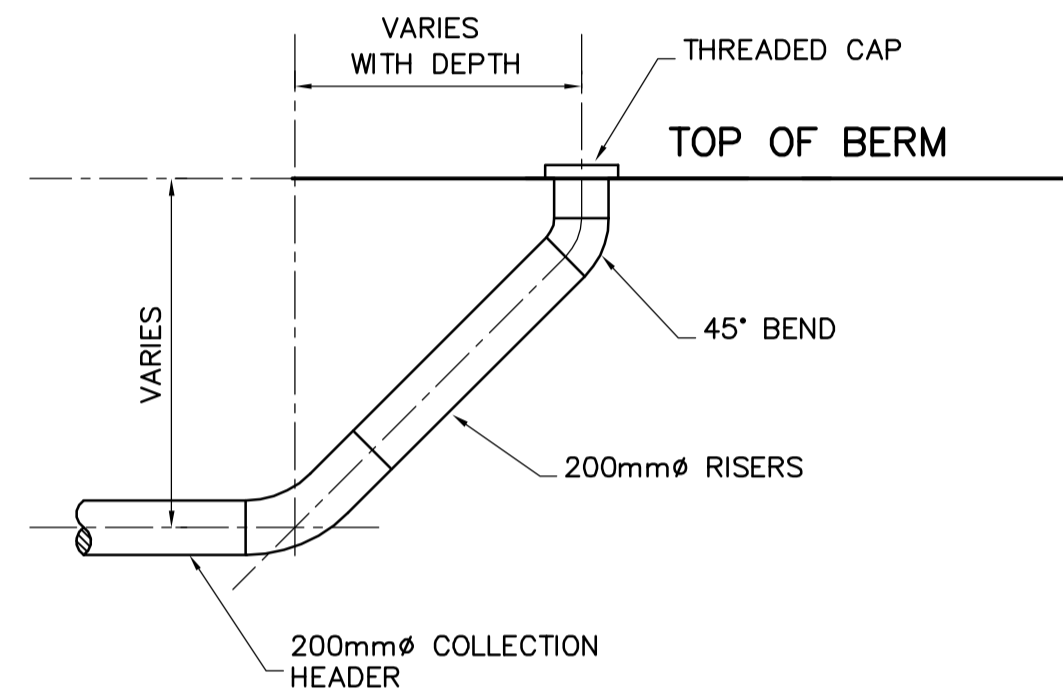


PROCEDURE FOR GEOTEXTILE-LINED UNDERDRAIN CONSTRUCTION

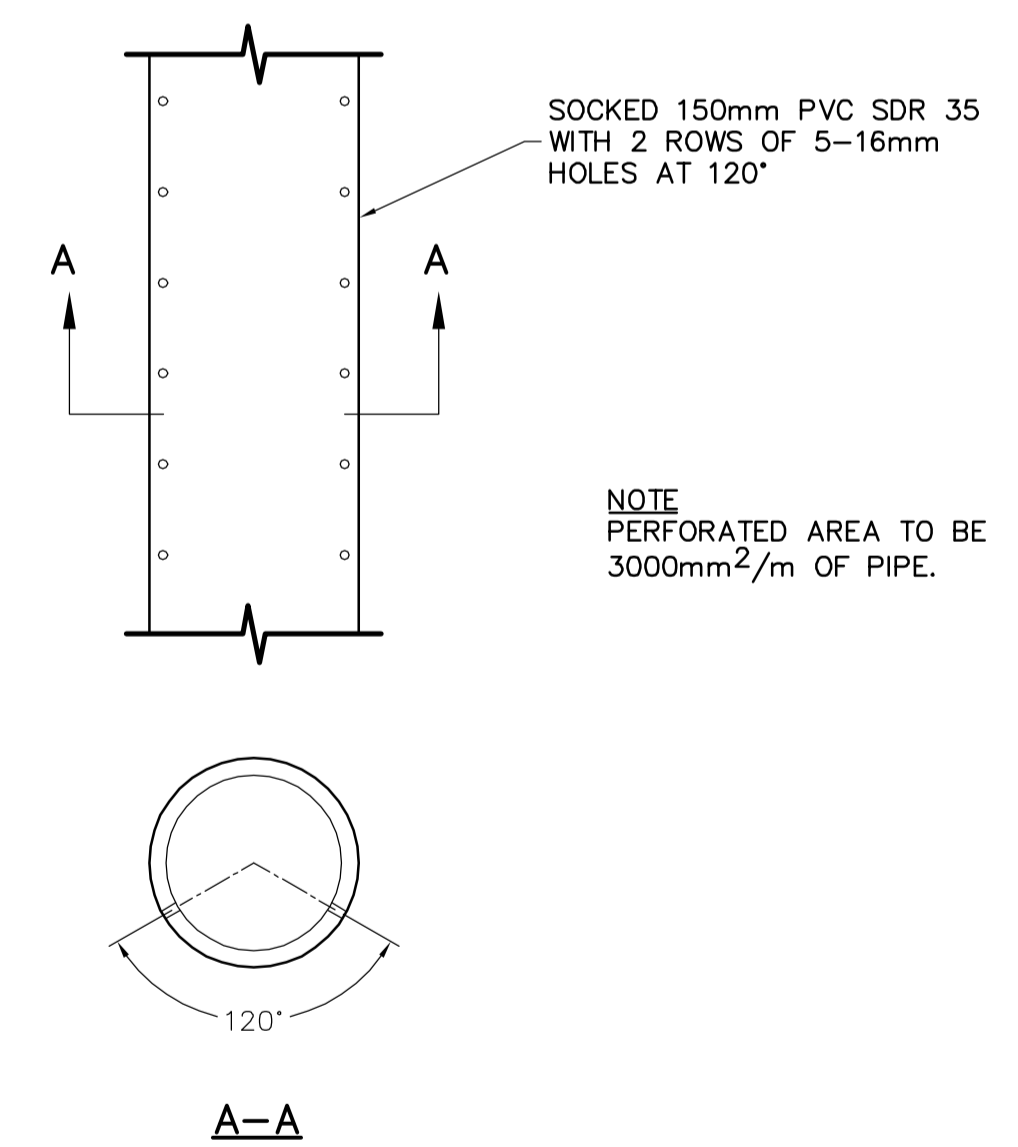
1 SUBDRAIN SECTION DETAIL



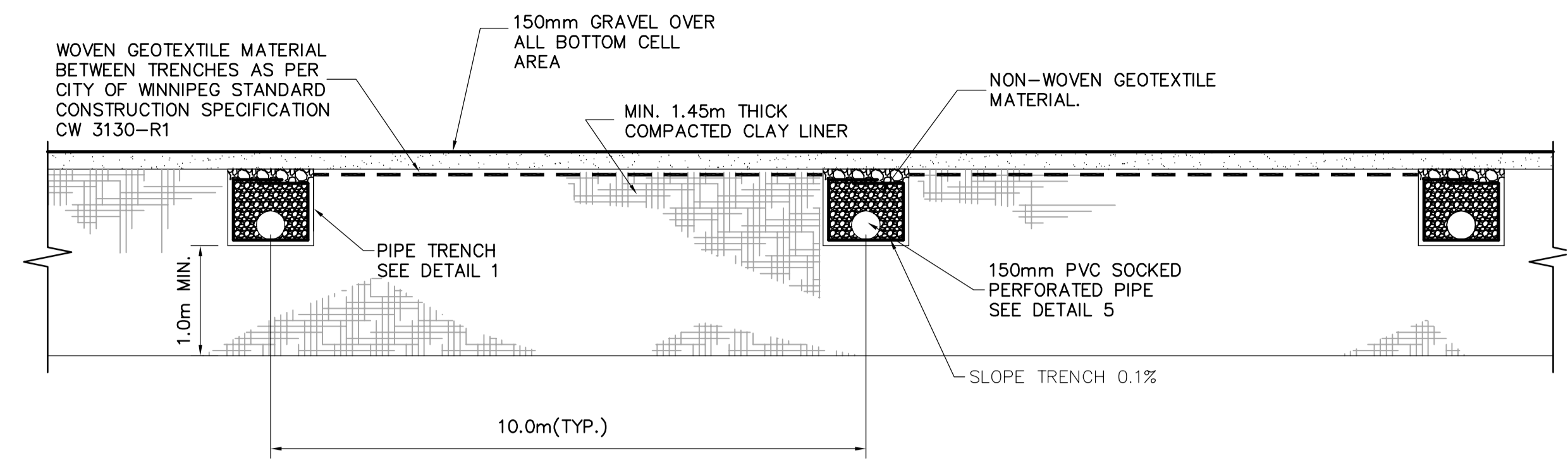
4 SUBDRAIN CLEANOUT WL-C0100



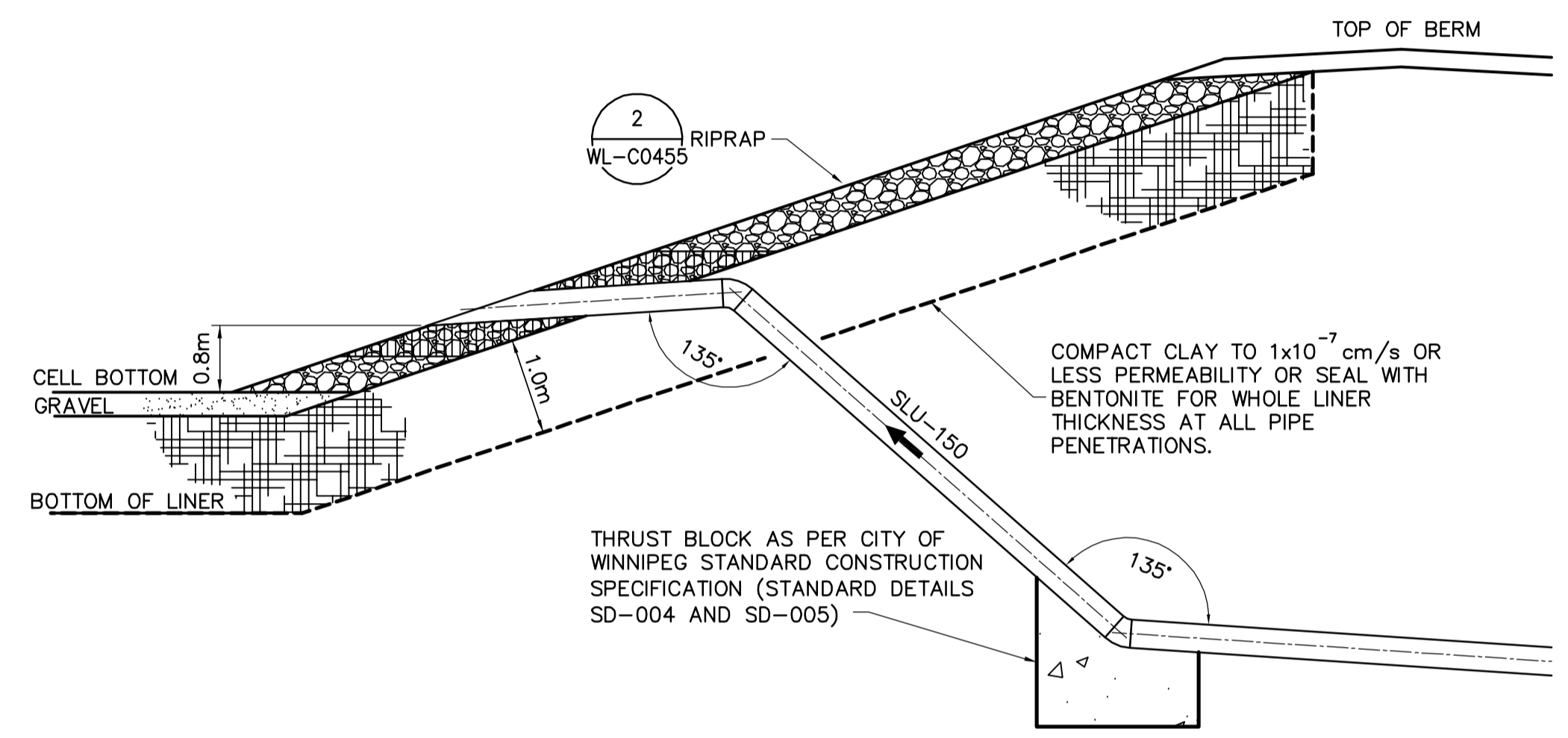
2 COLLECTION HEADER CLEANOUT



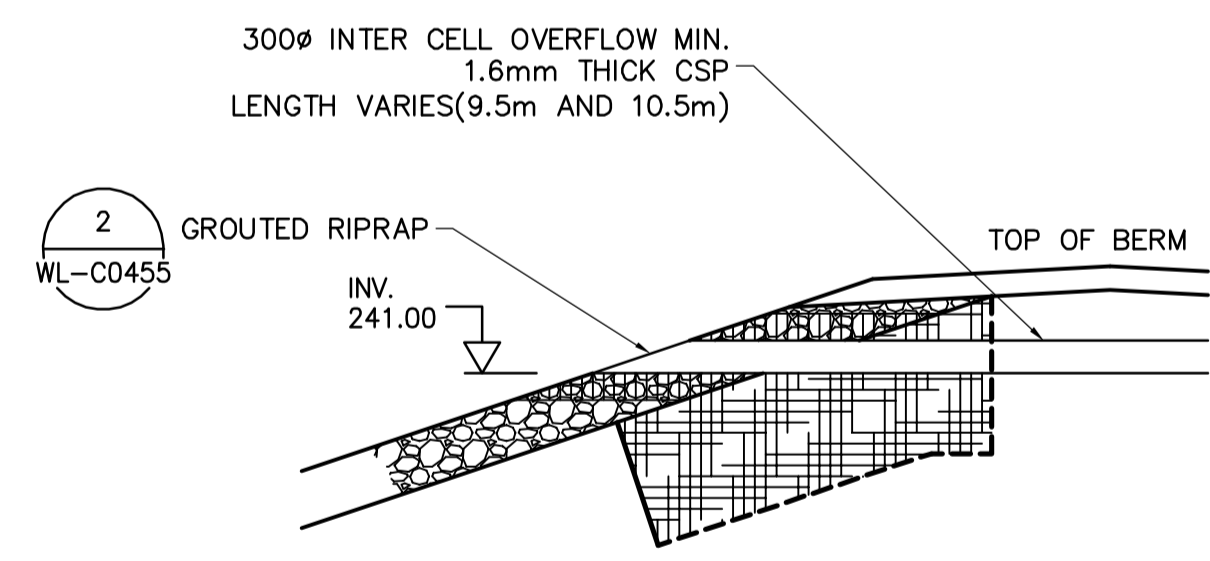
5 PERFORATED SUB DRAIN PIPE DETAIL



3 CELL SECTION (TYP)



6 INFLUENT PIPE DETAIL WL-C0100



7 INTERCELL OVERFLOW DETAIL

	B.M. ELEV.			ENGINEER'S SEAL		WATER TREATMENT PLANT CONSTRUCTION OF DEWATERING CELLS CIVIL SUBDRAIN AND INLET SYSTEMS SECTIONS AND DETAILS	CITY FILE NUMBER
	DESIGNED BY SM			CHECKED BY SRB			ORIGINAL SIGNED BY S.R. BILEVICIUS
	DRAWN BY JBC	APPROVED BY DJT	2006/03/07	CITY DRAWING NUMBER			
	SCALE: AS NOTED	RELEASED FOR CONSTRUCTION BY: R. SOROKOWSKI	CONSULTANT DRAWING NO. WL-C0105	1-0601L-A-C0105-001-000			
00 ISSUED FOR TENDER	06/03/07 JBC	DATE 2005/01/02	DATE 06/03/07				