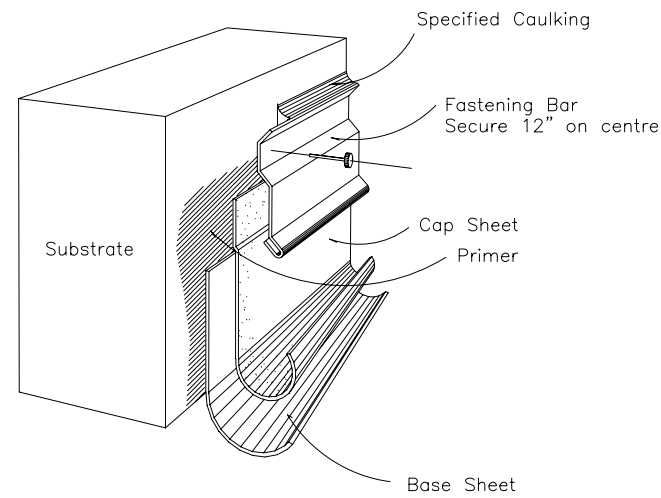
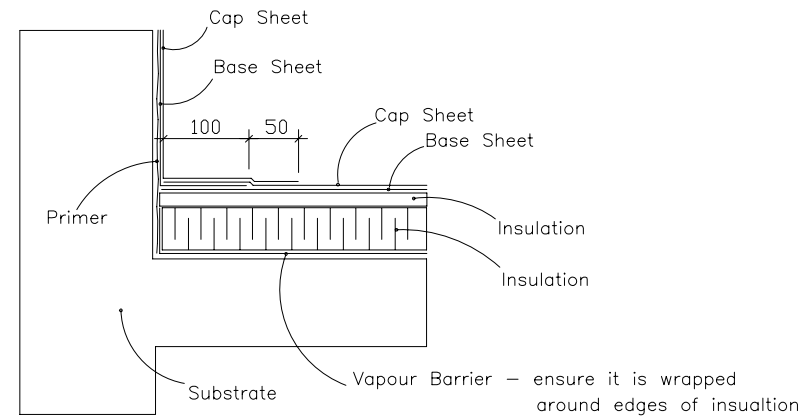


Typical Fastening Bar

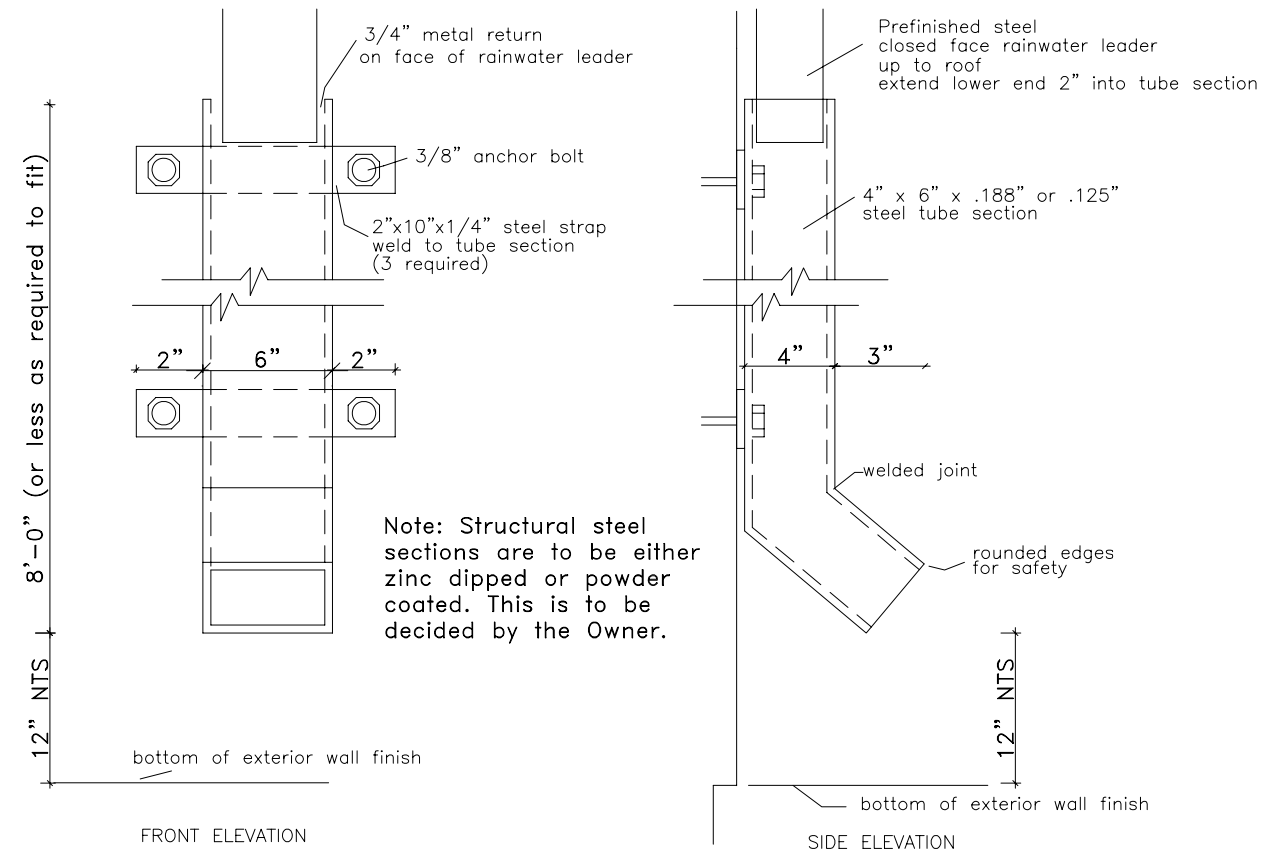


Typical Roof Edge Detail



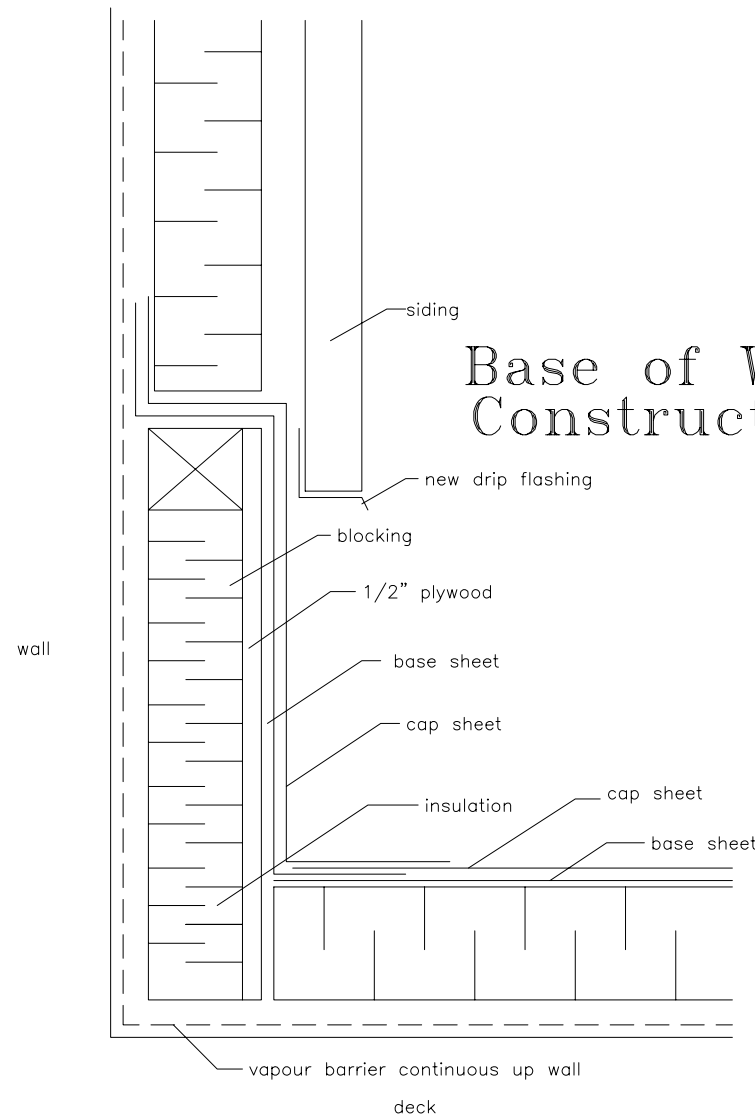
Note: Modified Bitumen stippling used in conjunction with 4 ply felt membrane is to have base sheet extend 12" onto flat and cap sheet 18" onto flat.

Structural Down Pipes

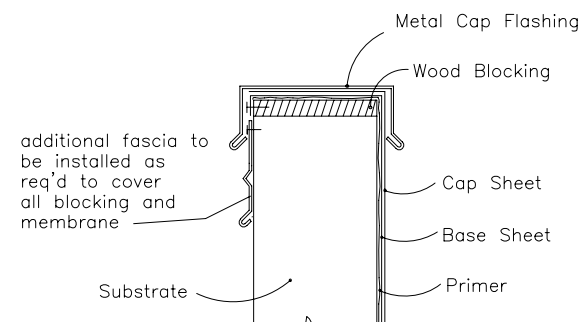


Note: Structural steel sections are to be either zinc dipped or powder coated. This is to be decided by the Owner.

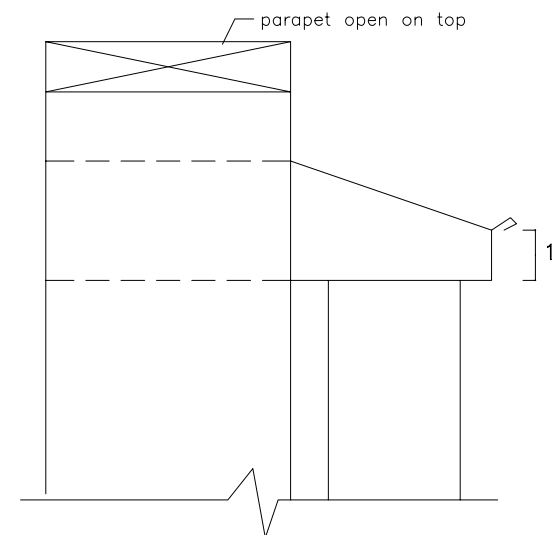
Base of Wall Construction



Typical Parapet Cap



Typical Scupper



Notes:
Scupper shall be 4 sided through parapet
Scupper shall be minimum 8" wide x 6" high

Note: Details are to be similar for inverted roof assemblies

AGASSIZ CONSULTING GROUP

809 Pipeline Road, Winnipeg, Manitoba
Phone: 697-8091 Fax: 697-8039

Project: Sir John Franklin CC
1 Sir John Franklin
Winnipeg, MB

Date: May 5, 2006

Drawing No. D-1

File no: 3132-06 Scale: N.T.S.