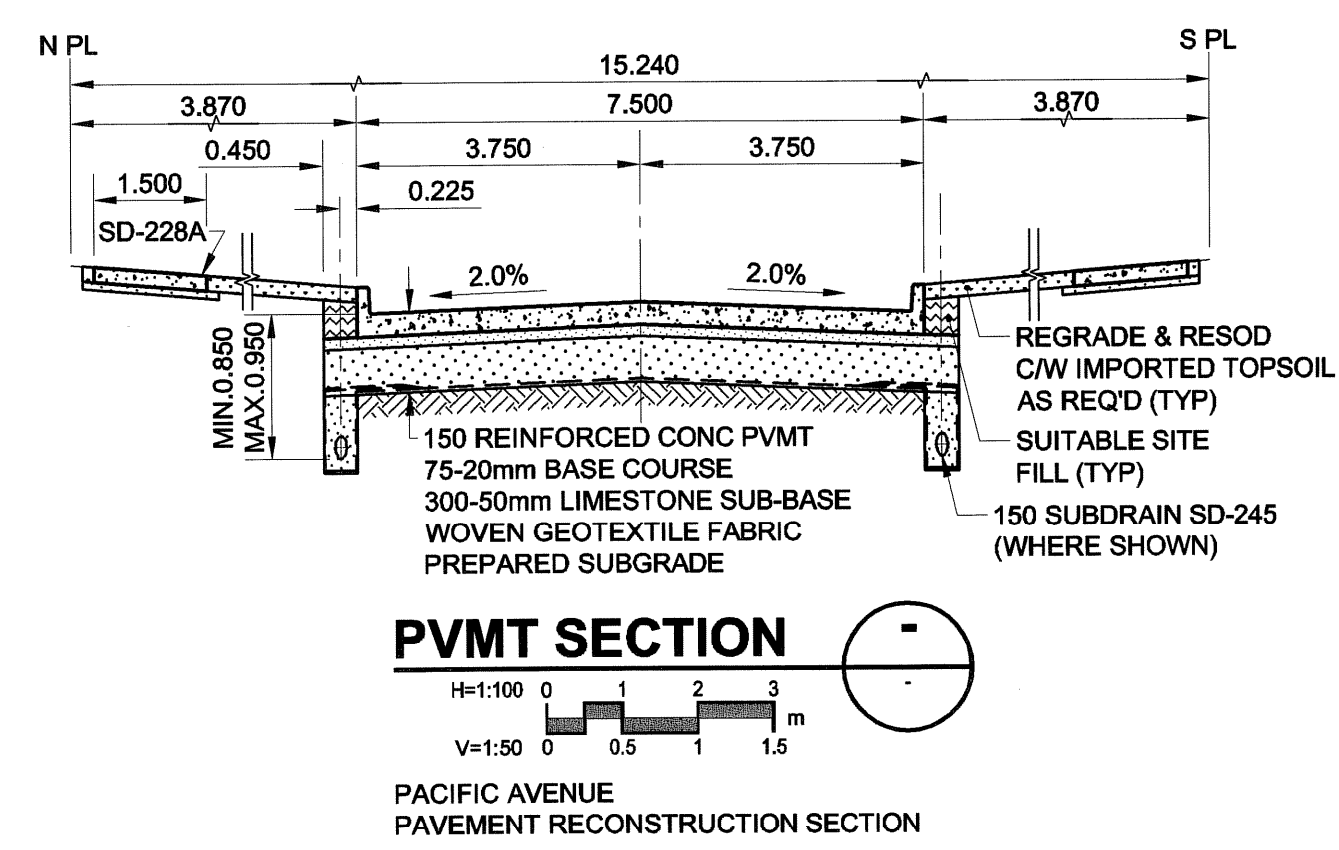
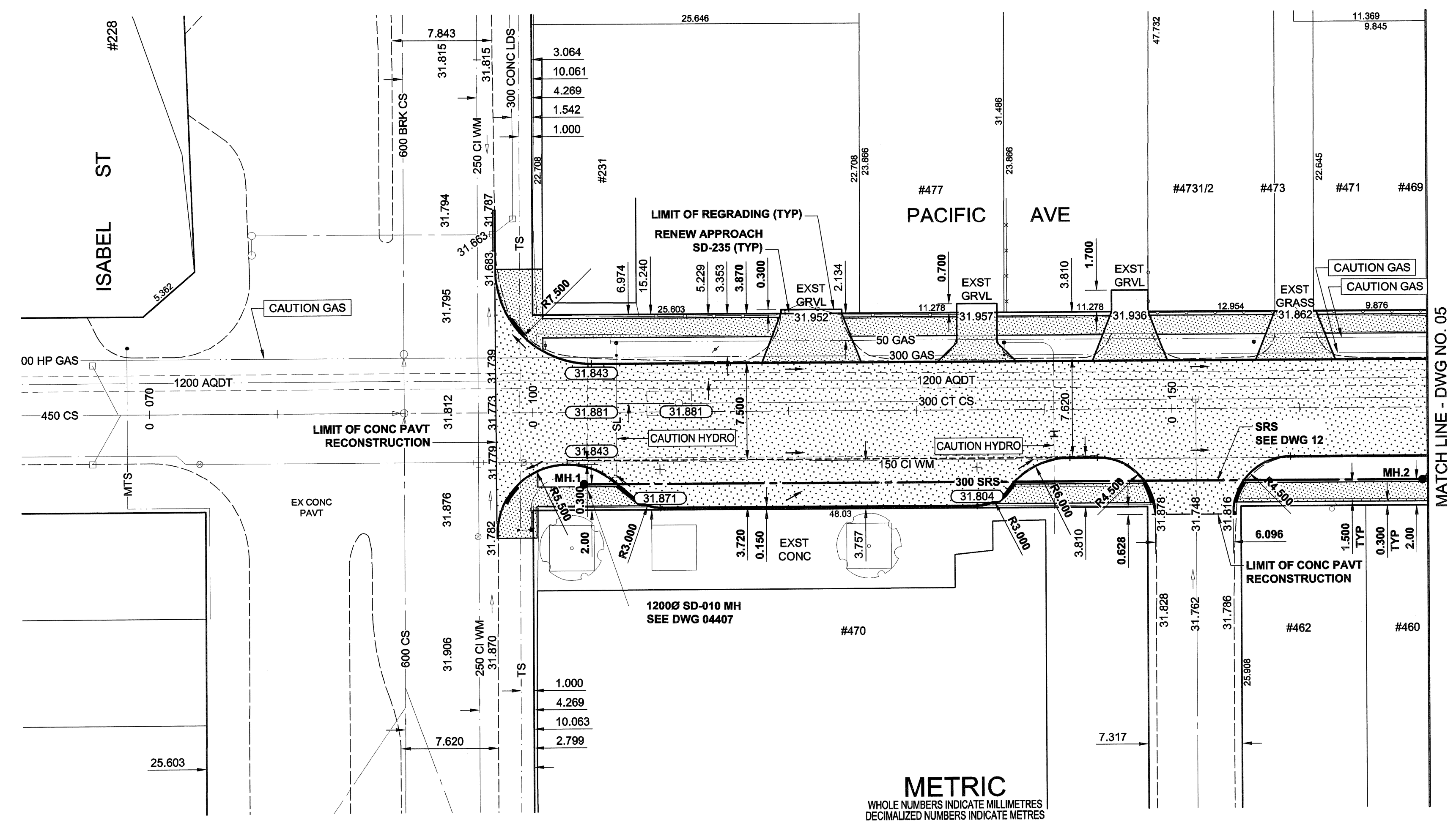
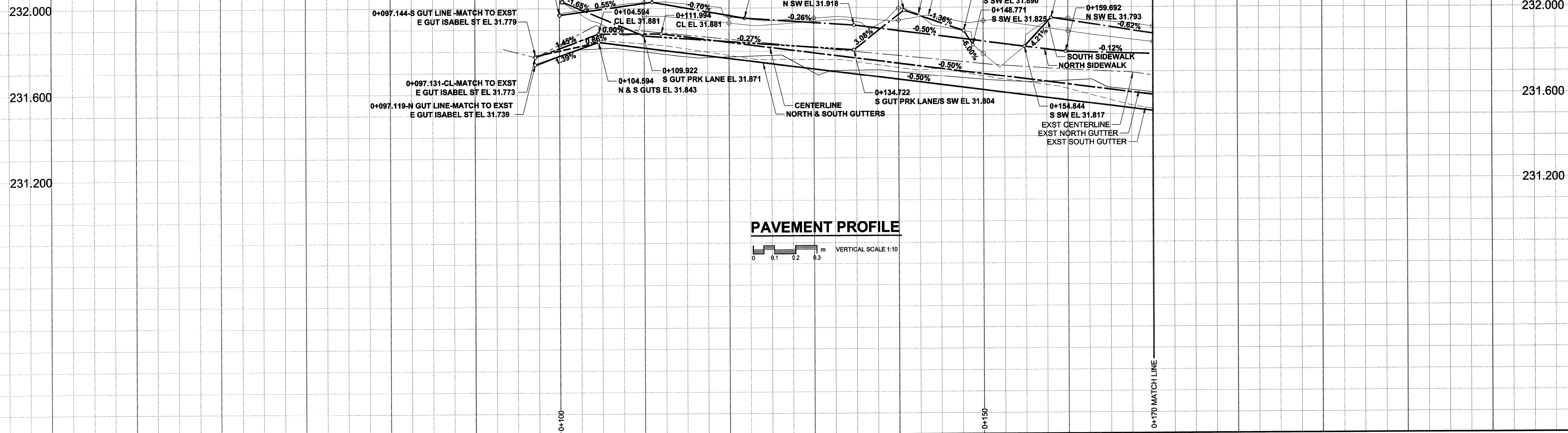


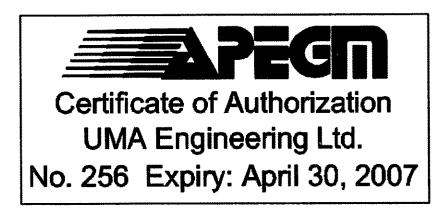
A1 SIZE 23.4" x 33.1" (594mm x 841mm)

PLOT: 5/31/2006 10:26:43 AM

UMA FILE NAME: 0265-379-00\_01-CT1004\_RX.dwg Saved By: coopertk



- NOTES**
- ADJUST MH AND CB RIMS TO NEW GRADES.
  - CONTRACTOR TO EXERCISE CAUTION WHEN INSTALLING 150 SUBDRAIN TO PREVENT CROSSING CONFLICTS WITH EXST. GAS SERVICES.
  - LAMP STANDARDS, HYDRO POLES, AND ANCHORS MAY REQUIRE TEMPORARY SUPPORT/REMOVAL OR REPLACEMENT AT THE CONTRACTOR'S EXPENSE.
  - CONTRACTOR SHALL TAKE PRECAUTIONARY STEPS TO AVOID DAMAGE FROM CONSTRUCTION ACTIVITIES TO EXISTING BOULEVARD TREES WITHIN THE LIMITS OF CONSTRUCTION AS OUTLINED IN THE SPECIFICATIONS.
  - CONTRACTOR SHALL REGRADE EXST. PRIVATE SIDEWALKS. LIMITS TO BE DETERMINED.
  - THE LOCATION OF ALL SERVICES TO BE CONFIRMED IN THE FIELD BY THE CONTRACTOR.
  - ADD 200.000m TO ABBREVIATED ELEVATIONS TO OBTAIN GEODETIC ELEVATIONS.
  - SIDEWALK GRADES SHOWN AS NORTH SIDE NORTH SIDEWALK & SOUTH SIDE SOUTH SIDEWALK.
  - AQUEDUCT MANHOLE UMH106-0064 TO BE INSTALLED UNDER THE SHOAL LAKE AQUEDUCT, BRANCH 1 AQUEDUCT UNDERDRAIN, ACCESS MANHOLES, CLEANING & INSPECTION, MANHOLE INSTALLATION PROGRAM.
  - EXST 1200Ø AQUEDUCT TIMBER SHORING MAY STILL EXIST. REFER TO SPECIFICATIONS FOR REMOVAL AND PAYMENT CLAUSES. (TYP).



BID OPPORTUNITY NO. 299-2006

○	MANHOLE	●	CONCRETE PAVEMENT
□	CATCH BASIN / CATCH PIT	■	ASPHALT PAVEMENT
△	C & G INLET WITH BOX	▨	CONC. SIDEWALK/MEDIAN
○	TREE	▩	PAVING STONE
⊕	TEST HOLE	▧	TOPSOIL & SOD
⊕-12	PROPERTY LINE	▦	GRAVEL
⊕	SURVEY BAR	▥	RAMP CURB
⊕	FENCE	▤	REMOVAL
⊕	BOC/EOPAVT	▣	PLANNING
⊕	ELEVATION	⊕	
33.000		33.100	

**LOCATION APPROVED**  
UNDERGROUND STRUCTURES

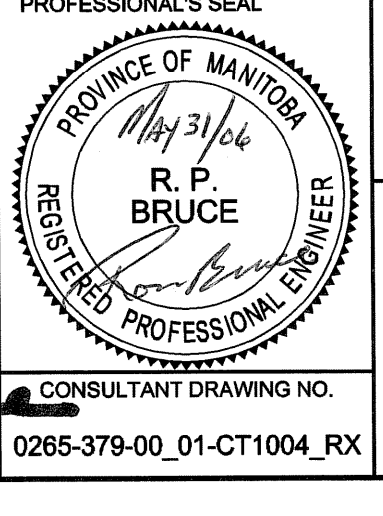
DATE: \_\_\_\_\_

NOTE: LOCATION OF UNDERGROUND STRUCTURES AS SHOWN ARE BASED ON THE BEST INFORMATION AVAILABLE. BUT NO GUARANTEE IS GIVEN THAT ALL EXISTING UTILITIES ARE SHOWN OR THAT THE GIVEN LOCATIONS ARE EXACT. CONFIRMATION OF EXISTENCE AND EXACT LOCATION OF ALL SERVICES MUST BE OBTAINED FROM THE INDIVIDUAL UTILITIES BEFORE PROCEEDING WITH CONSTRUCTION.

UMA | AECOM

DESIGNED BY: RPB  
DRAWN BY: DID  
HOR. SCALE: AS SHOWN  
VERT. SCALE: 1:250  
DATE: 06/05/05

CHECKED BY: JJK  
APPROVED BY: [Signature]  
DATE: JUNE 1, 2006



**THE CITY OF WINNIPEG**  
PUBLIC WORKS DEPARTMENT  
ENGINEERING DIVISION

**PACIFIC AVENUE ISABEL ST TO ELLEN ST RECONSTRUCTION**

HORIZONTAL AND VERTICAL ALIGNMENT FROM ISABEL ST TO STA 0+170

CITY DRAWING NUMBER: N/A  
SHEET: 4 OF 14  
DRAWING No.: 04  
REV: 0