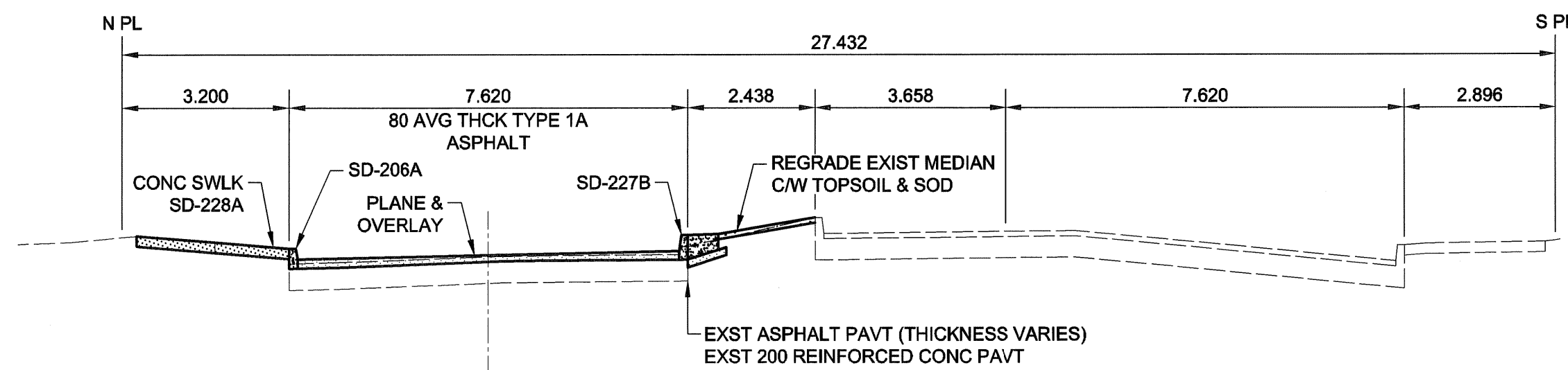
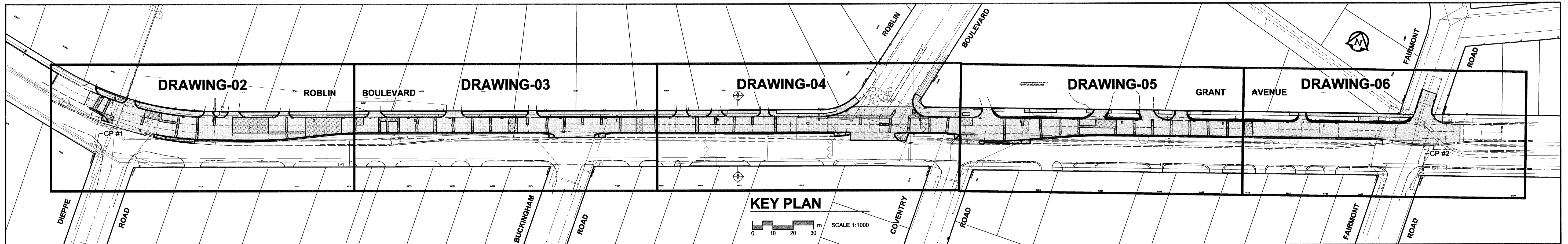


ABBREVIATIONS - GENERAL

ABANDON (ED)	ABAN	CURB INLET	CI	FENCE	F	ON CENTER	O/C	REINFORCING	REINF
APPROXIMATE	APROX	CURB & GUTTER INLET	C & GI	FRAME & COVER	FRME & CVR	ORIGINAL GROUND	OG	REVISED/REVISION	REV
ASPHALT	ASPH	CRESCENT	CRES	GATE VALVE	GV	OUTSIDE DIAMETER	OD	RIGHT	RGHT
BEGINNING OF CURVE	BC	CROSS SECTION	XSEC	GRASS	GRSS	PAVEMENT	PAVT	RIGHT-OF-WAY	ROW
BEGINNING OF VERTICAL CURVE	BVC	DEGREE	DEG	GRAVEL	GRVL	POINT OF COMPOUND CURVE	PCC	STANDARD	STD
BACK OF CURB	BOC	DETOUR	DET	HIGHWAY	HWY	POINT OF CURVE	PC	STATION	STA
BOTTOM	BOT	DIAMETER	DIA	HORIZONTAL	HORZ	POINT OF INTERSECTION	PI	STORM RELIEF SEWER	SRS
BOULEVARD	BLVD	DRAWING	DWG	HYDRANT	HYD	PI OF VERTICAL CURVE	PIVC	STREET	ST
BUILDING	BLDG	EAST	E	HYDRO	H	POINT OF TANGENT	PT	SWALE	SWL
CATCH BASIN	CB	EDGE OF PAVEMENT	EOPAVT	INVERT ELEVATION	INV. EL	POINT OF VERTICAL INTERSECTION	PVI	TANGENT	TAN
CATCH PIT	CP	ELEVATION	EL	IRON BAR	IB	POINT ON CURVE	POC	TAPER	TPR
CENTERLINE	CL	END OF CURVE	EC	JUNCTION	JCT	POINT ON REVERSE CURVE	PRC	TRAFFIC SIGNAL	TS
CENTER RADIUS	CTR	END OF TAPER	ET	LAND DRAINAGE SEWER	LDS	POINT ON TANGENT	POT	VERTICAL	VERT
CHECKED	CHKD	END OF VERTICAL CURVE	EVC	LENGTH OF VERTICAL CURVE	LVC	POINT ON VERTICAL CURVE	PVC	WASTE WATER SEWER	WWS
COMBINED SEWER	CS	ENTRANCE	ENT	LEFT	LFT	PROPERTY LINE	PL	WATERMAIN	WM
CONCRETE	CONC	EQUALLY SPACED	ES	MANHOLE	MH	PROPOSED	PROP		
CONCRETE CURB	CC	EXCAVATION	EXC	MAXIMUM	MAX	RADIUS	R		
COORDINATE	COORD	EXISTING	EXST	MONUMENT	MON	RED LIGHT CAMERA	RLC		
CORRUGATED STEEL PIPE	CSP	FEEDERMAIN	FM	NORTH	N	REINFORCED CONCRETE	RC		



DRAWING LIST

PART B - ROBLIN BOULEVARD

No.	CITY DWG.No.	REV.	DESCRIPTION
01	P-3269-01	0	ABBREVIATIONS, KEY PLAN, DRAWING LIST, HORIZONTAL AND VERTICAL CONTROL
02	P-3269-02	0	HORIZONTAL AND VERTICAL ALIGNMENT FROM DIEPPE ROAD TO STA. 0+220
03	P-3269-03	0	HORIZONTAL AND VERTICAL ALIGNMENT FROM STA. 0+220 TO STA. 0+370
04	P-3269-04	0	HORIZONTAL AND VERTICAL ALIGNMENT FROM STA. 0+370 TO STA. 0+520
05	P-3269-05	0	HORIZONTAL AND VERTICAL ALIGNMENT FROM STA. 0+520 TO STA. 0+660
06	P-3269-06	0	HORIZONTAL AND VERTICAL ALIGNMENT FROM STA. 0+660 TO FAIRMONT ROAD

SURVEY BAR-HORIZONTAL CONTROL POINTS-PROJECT COORDINATES					NAD83 DATUM		
CONTROL POINT	LOCATION	NORTHING	EASTING	ELEVATION	NORTHING	EASTING	ELEVATION
#1	IB @ PI of S PL of Roblin Blvd & W PL of Dieppe Road	10000.000	10000.000	235.162	5524203.967	623426.055	-
#2	IB @ PI of S PL of Grant Ave & E PL of Fairmont Road	10181.619	10631.046	235.888	5524385.703	624057.311	-

NOTE: THE PROJECT DRAWINGS HAVE A SCALE FACTOR OF 0.999642 APPLIED TO LBS INFORMATION TO MATCH LOCAL PROJECT COORDINATES

GEODETIC BENCH MARK-VERTICAL CONTROL POINTS		
GBM.	LOCATION	ELEVATION
49-015	Tb1t in most Nly Conc foundation of Assiniboine Park Community Offices, #5006 Roblin Blvd, 0.5m W of main entrance to Bldg & 0.3m below window sill	238.012m

LOCATION APPROVED
UNDERGROUND STRUCTURES

SUPR. U/G STRUCTURES DATE COMMITTEE

NOTE: LOCATION OF UNDERGROUND STRUCTURES AS SHOWN ARE BASED ON THE BEST INFORMATION AVAILABLE. BUT NO GUARANTEE IS GIVEN THAT ALL EXISTING UTILITIES ARE SHOWN OR THAT THE GIVEN LOCATIONS ARE EXACT. CONFIRMATION OF EXISTENCE AND EXACT LOCATION OF ALL SERVICES MUST BE OBTAINED FROM THE INDIVIDUAL UTILITIES BEFORE PROCEEDING WITH CONSTRUCTION.

BM 49-015 ELEV 238.012m			
DESIGNED BY	RPB	CHECKED BY	URS
DRAWN BY	DID	APPROVED BY	BRUCE
HOR. SCALE	AS SHOWN	RELEASED FOR CONSTRUCTION	BRUCE
VERT. SCALE	AS SHOWN	DATE	JUNE 20/2006
NO. REVISIONS	YYMMDD	BY	DATE
0	ISSUED FOR CONSTRUCTION	06/06/20	DID

METRIC
WHOLE NUMBERS INDICATE MILLIMETRES
DECIMALIZED NUMBERS INDICATE METRES

UMA | AECOM

© 2008 UMA ENGINEERING LTD. ALL RIGHTS RESERVED.

PROFESSIONAL'S SEAL

PROVINCE OF MANITOBA
REGISTERED PROFESSIONAL ENGINEER
R. P. BRUCE

CONSULTANT DRAWING NO.
0265-384-00_01-CT1020_RX.dwg

THE CITY OF WINNIPEG
PUBLIC WORKS DEPARTMENT
ENGINEERING DIVISION

**ROBLIN BOULEVARD/GRANT AVENUE
DIEPPE ROAD TO
FAIRMONT ROAD
STREET RENEWAL**
ABBREVIATIONS, KEY PLAN, DRAWING LIST,
HORIZONTAL AND VERTICAL CONTROL

CITY DRAWING NUMBER
P-3269-01

SHEET 1 OF 6

DRAWING No. 01 REV 0

BID OPPORTUNITY NO. 298-2006