

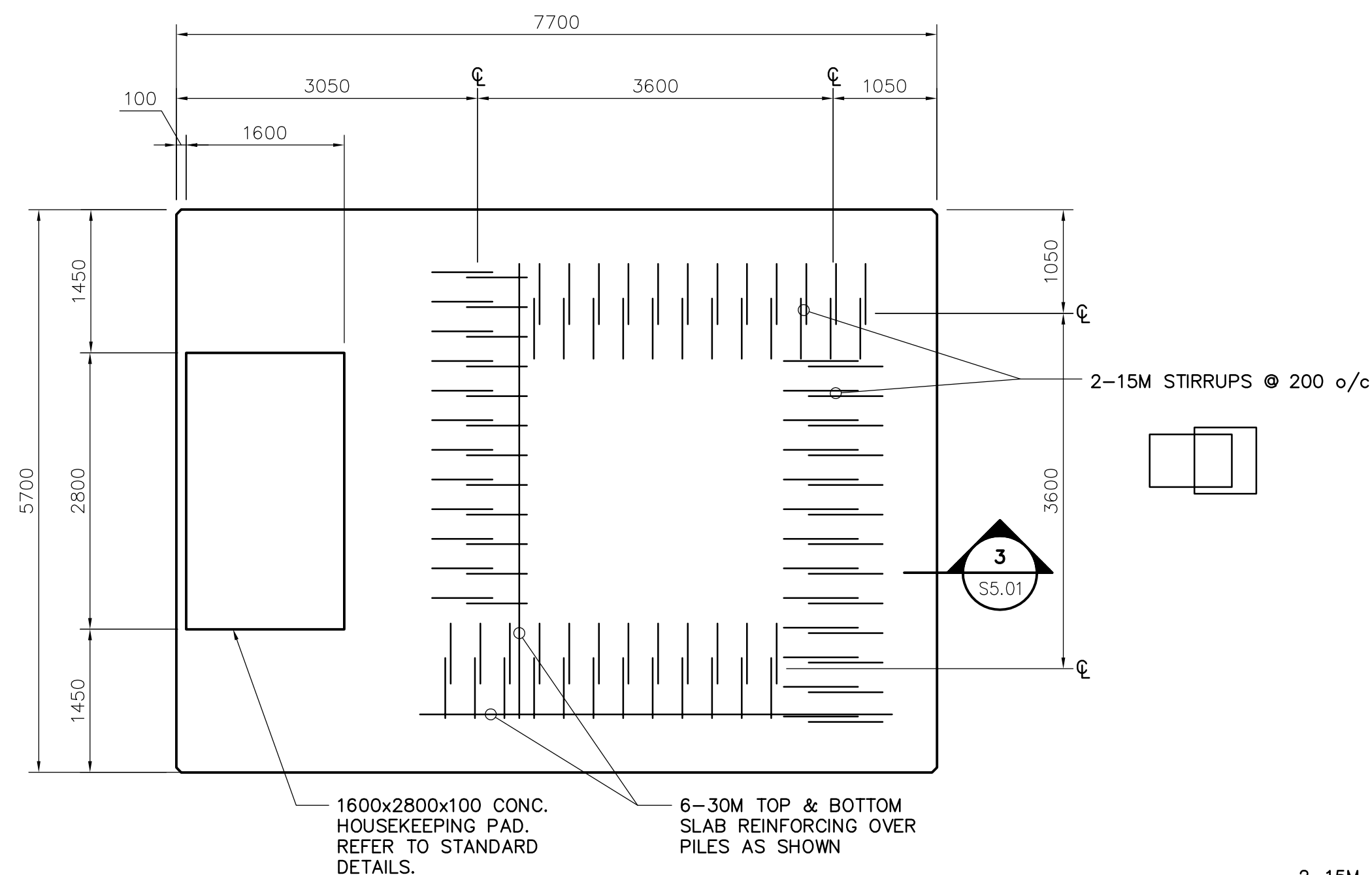
**PILING/FOUNDATION PLAN**

SCALE : 1:50

**DESIGN NOTES:**

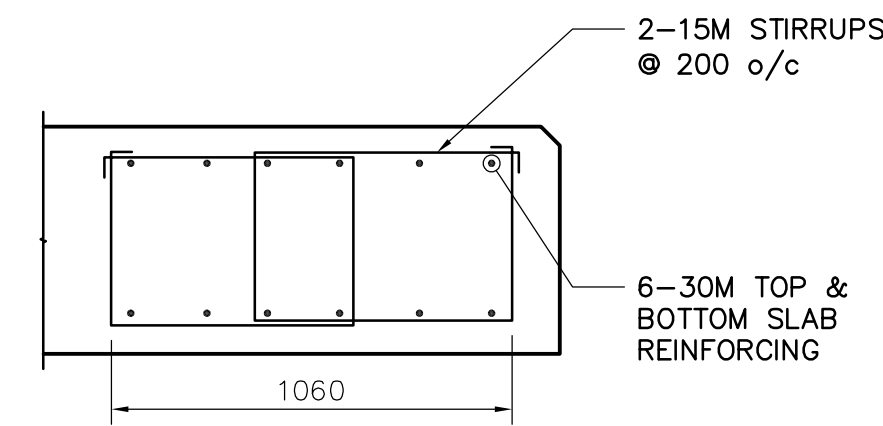
**DEAD LOADS:**  
SILO = 92kN  
SLAB = SELF WEIGHT

**LIVE LOADS:**  
BASE MOMENT = 325kN-M  
BASE SHEAR = 40kN  
SHOWER = 4.0kPa  
SILO = 870kN

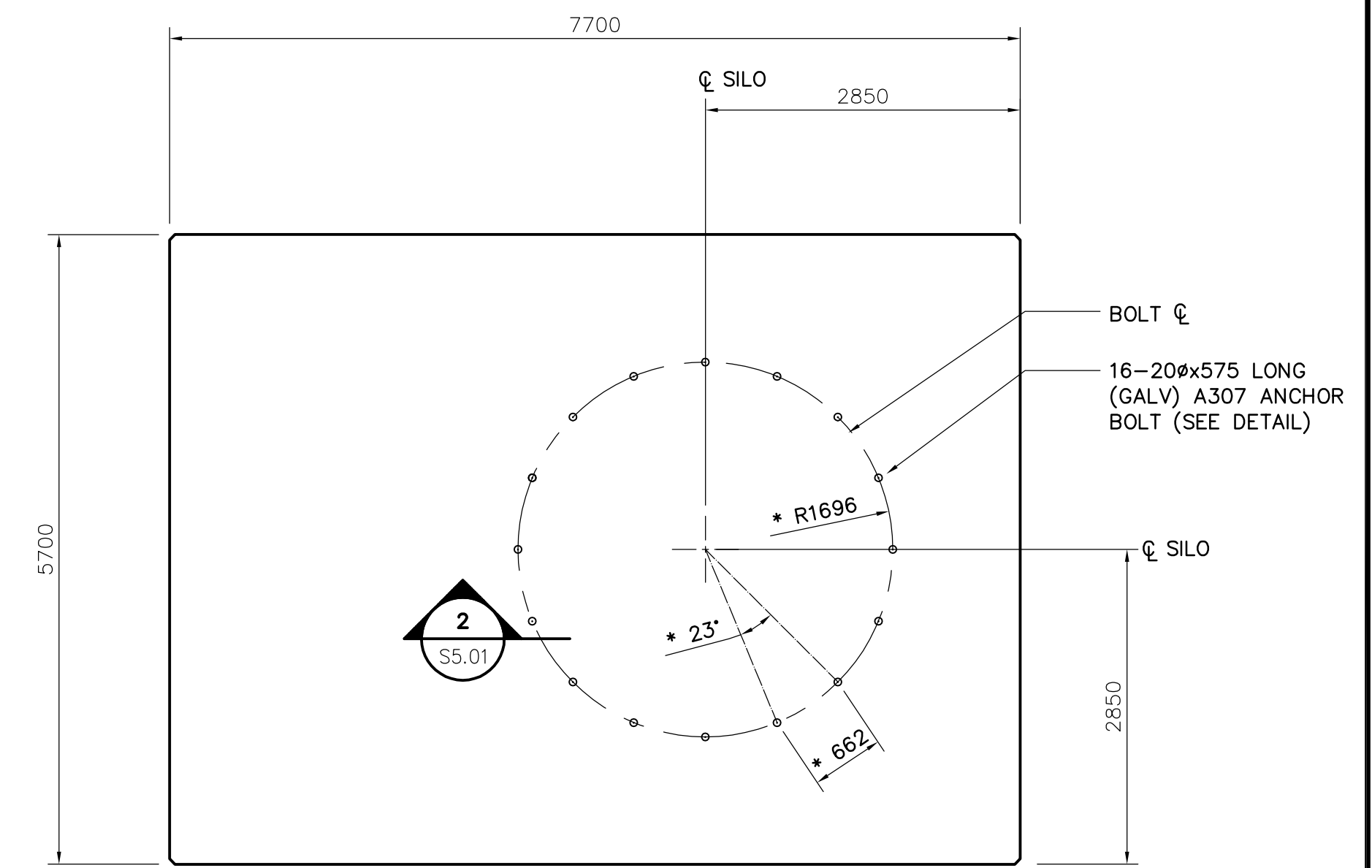


**ADDITIONAL REINFORCING PLAN**

SCALE : 1:50



**3 SECTION**  
S5.01 SCALE N.T.S.

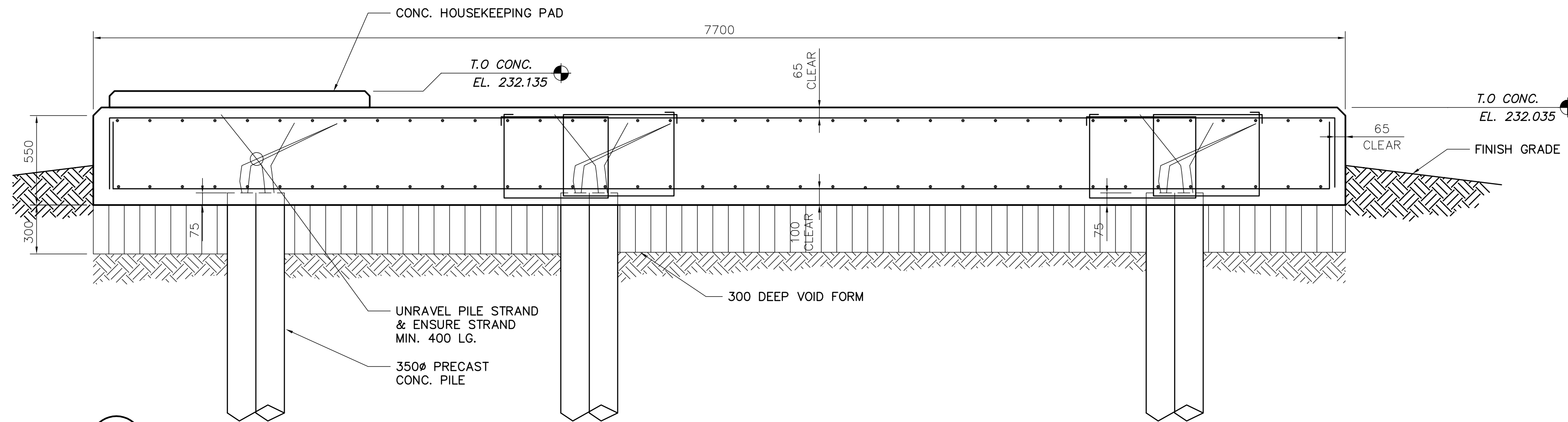


**ANCHOR BOLT PLACEMENT PLAN**

SCALE : 1:50

**NOTE:**

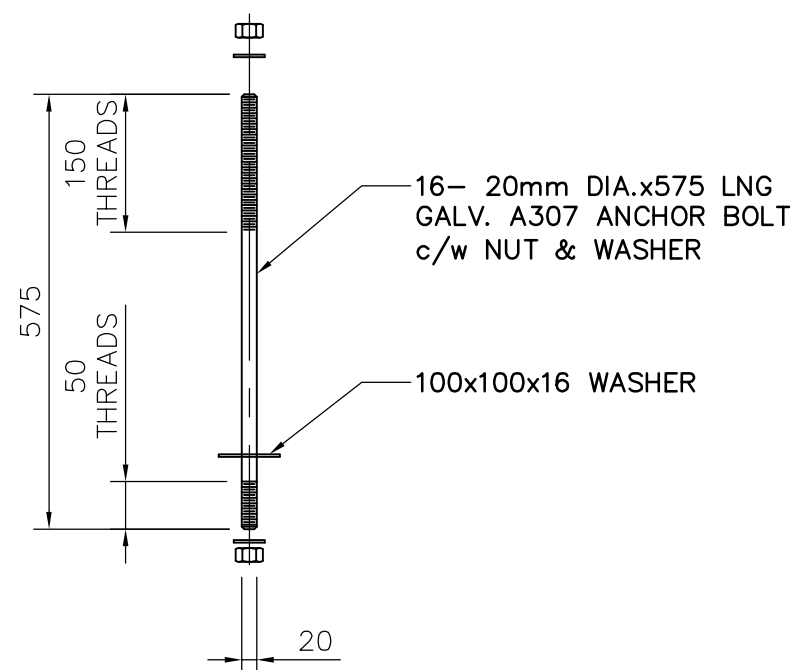
\* REFER TO MANUFACTURER'S DRAWING FOR EXACT BOLT PATTERN & LOCATIONS



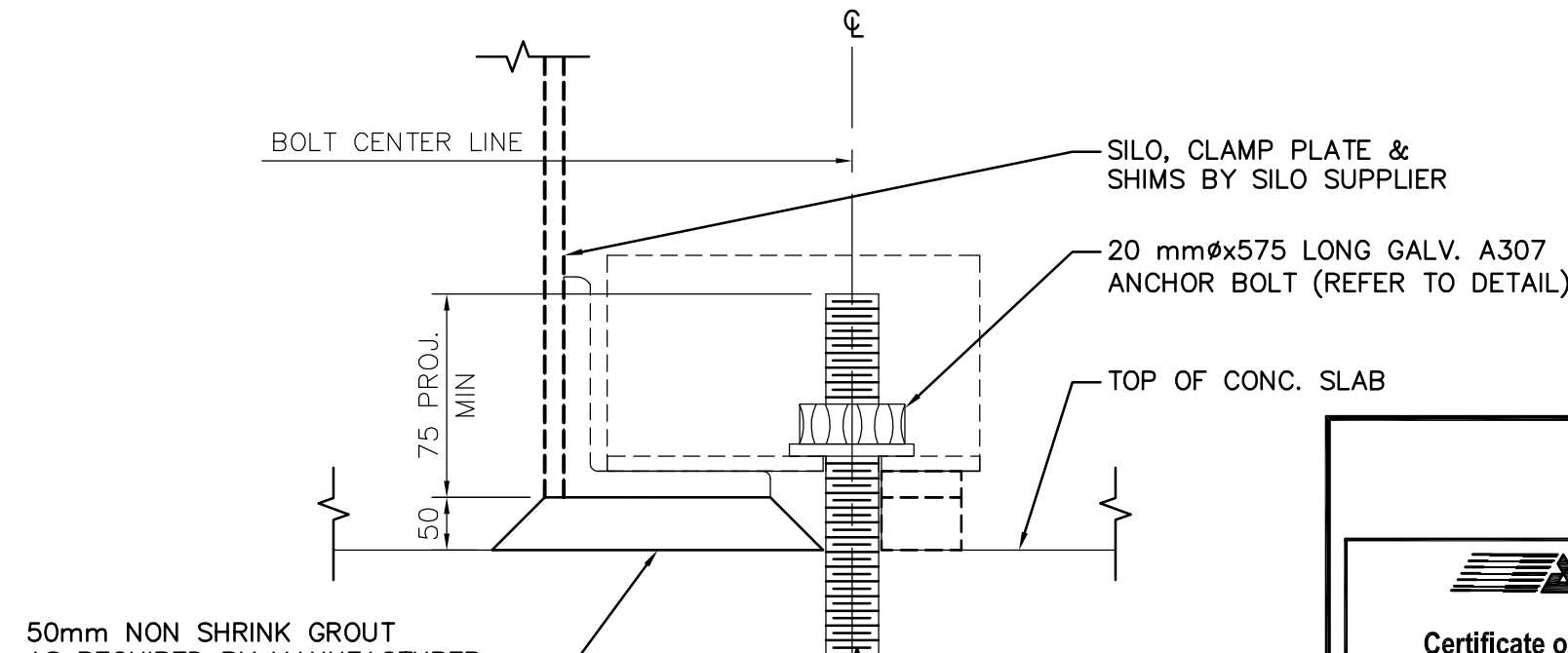
**1 SECTION**  
S5.01 SCALE 1:20

CONCRETE SLAB SCHEDULE					REMARKS
MARK	DEPTH	REINFORCING			
		TOP	BOTTOM	ADDITIONAL	
SL-1	600	30M @ 200 o/c E.W.	30M @ 200 o/c E.W.	2-15M STIRRUPS @ 200 o/c	

PRE-CAST CONCRETE PILE SCHEDULE				
MARK	DIAMETER	CUT-OFF	REMARKS	
P-1	350	231.510	PRECAST PILE - PROJECT INTO SLAB 75mm, PRE-BORE 10M	



**ANCHOR BOLT**



**2 SECTION**  
S5.01 SCALE N.T.S.

**APEGM**  
Certificate of Authorization  
Earth Tech Canada Inc.  
No. 730 Expiry: April 30, 2007

B.M. ELEV.	DATE	BY

**EarthTech**  
A Tyco International Ltd. Company

DESIGNED BY: DWS/GGP	CHECKED BY: LLR
DRAWN BY: CMF	APPROVED BY: JEH
SCALE: AS NOTED	RELEASED FOR CONSTRUCTION BY: K. MARTENS
DATE: 2006/04/03	DATE: 2006/05/15

ENGINEER'S SEAL  
ORIGINAL SIGNED BY  
L.L. RIDING  
2006/05/15  
CONSULTANT DRAWING NO.  
S5.01

**THE CITY OF WINNIPEG**  
WATER AND WASTE DEPARTMENT  
ENGINEERING DIVISION  
NEWPCC CENTRATE NUTRIENT TREATMENT  
NITROGEN REMOVAL FACILITY

CITY FILE NUMBER	
SHEET OF	
CITY DRAWING NUMBER	

STRUCTURAL  
SODA ASH FACILITY  
FOUNDATION PLAN, DETAILS, SCHEDULES & SECTIONS