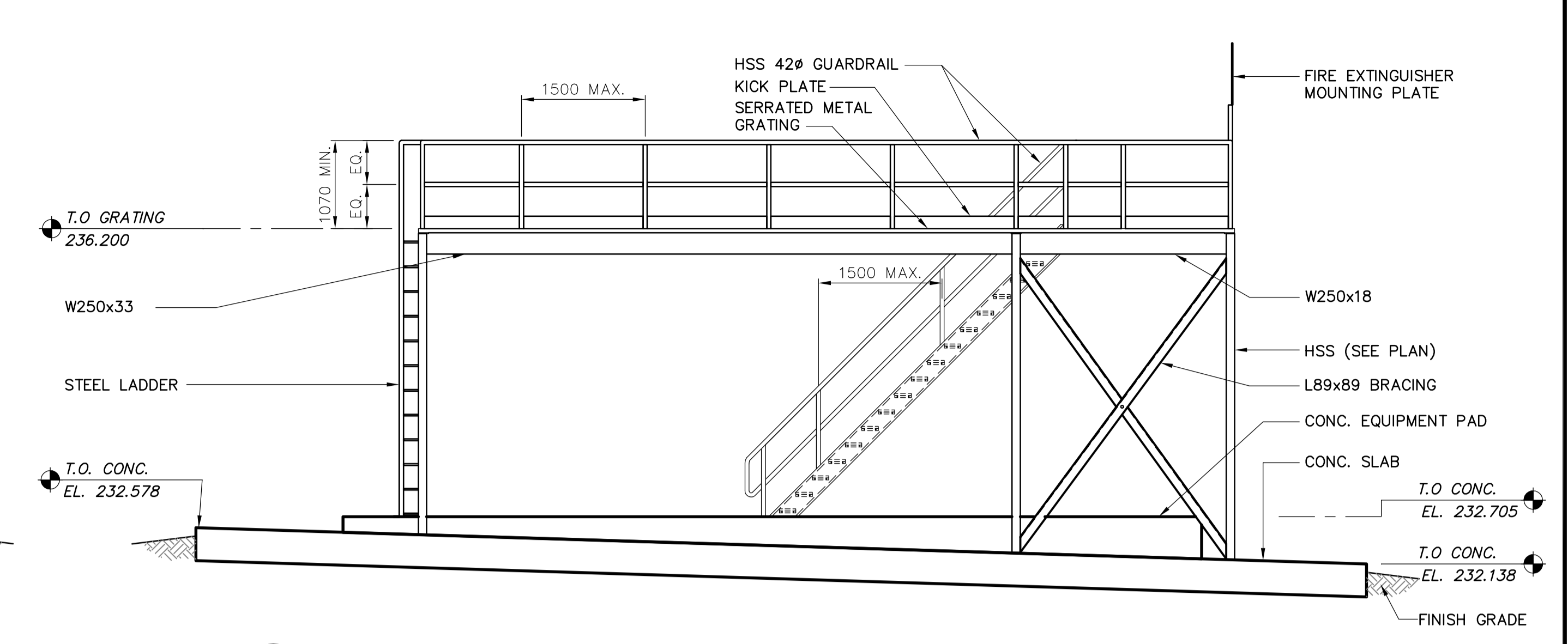
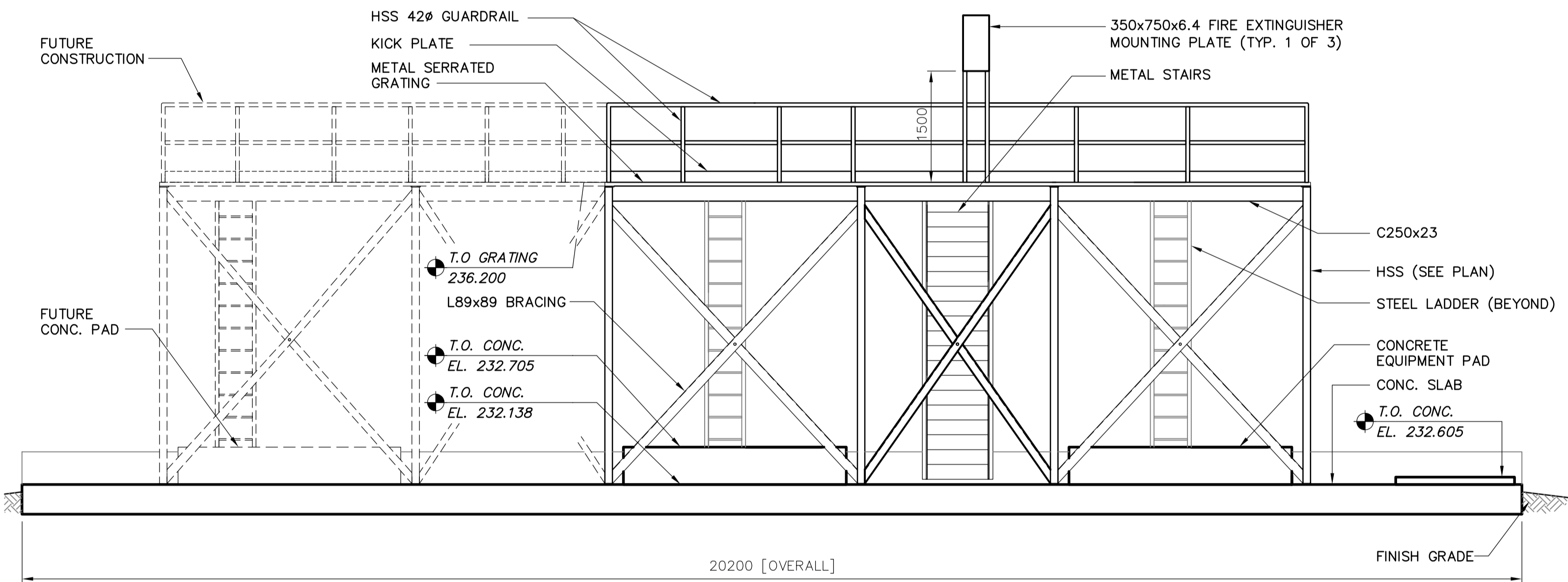


1 NORTH ELEVATION
S4.04 SCALE 1:50

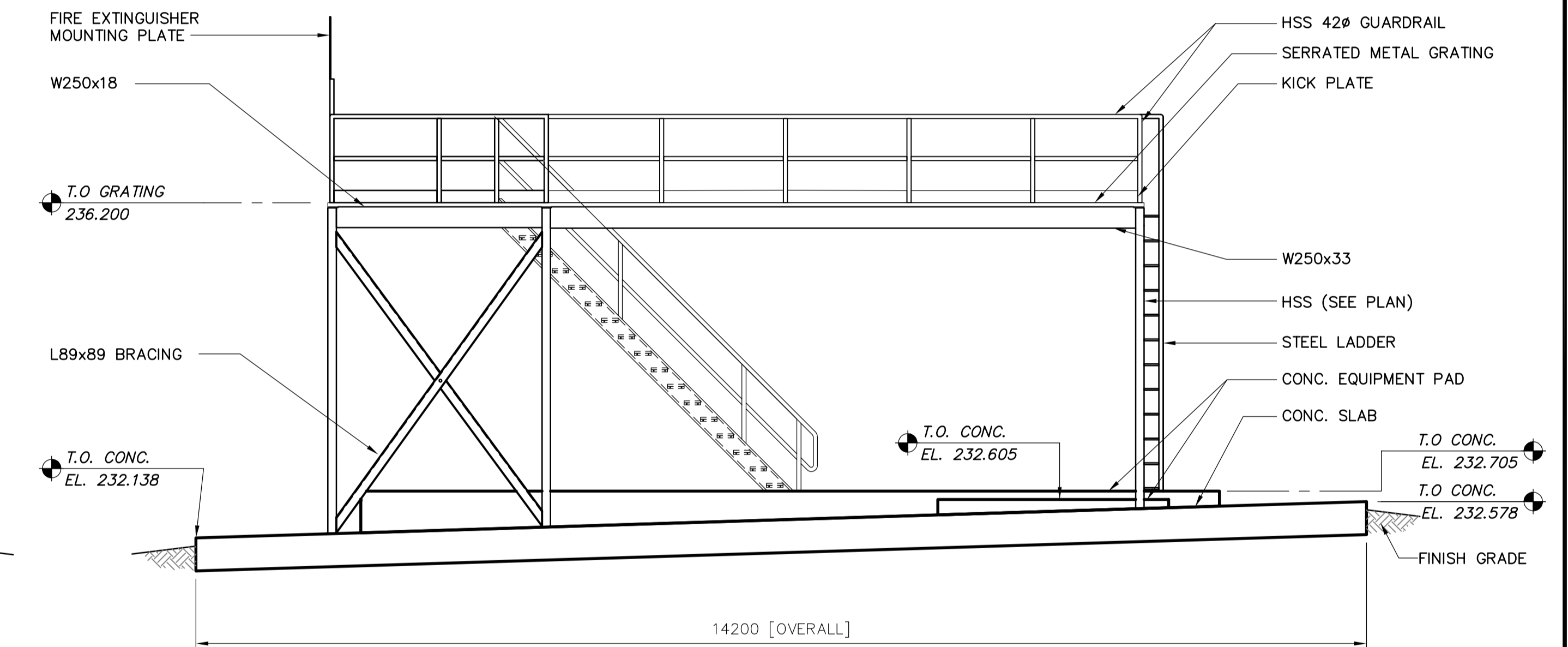


3 EAST ELEVATION
S4.04 SCALE 1:50

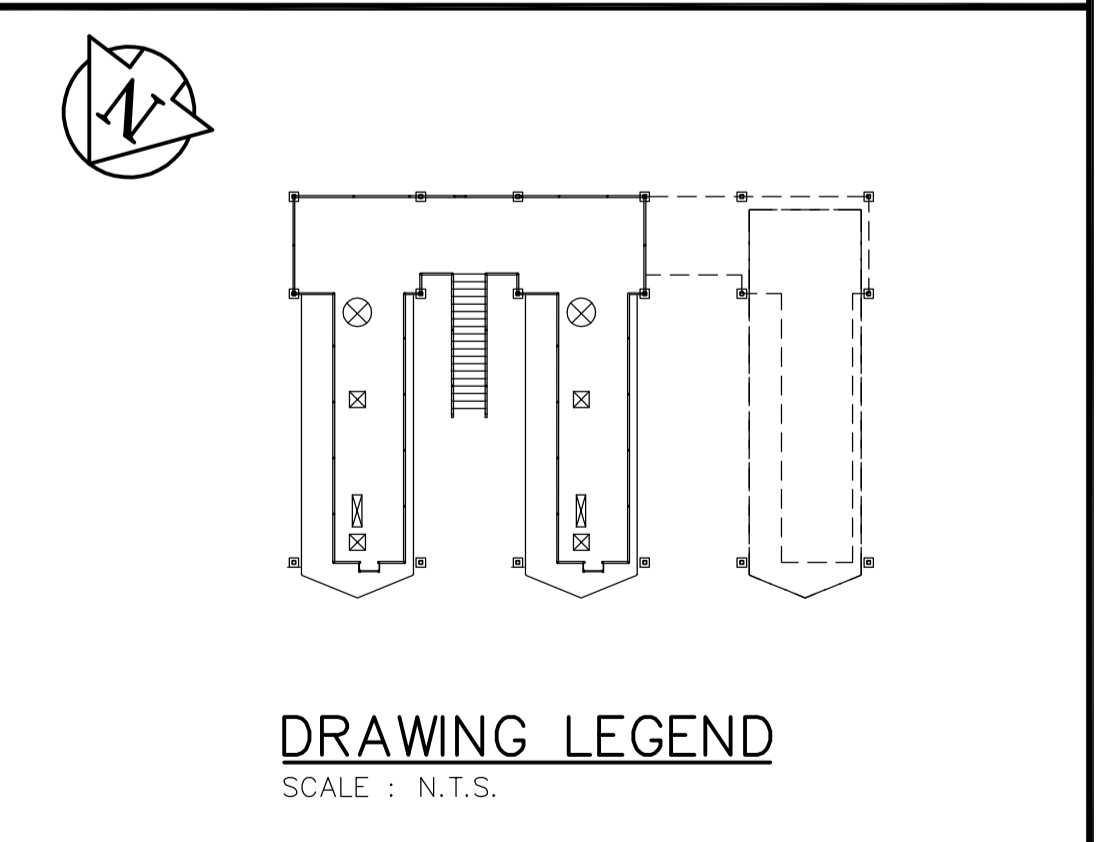


2 SOUTH ELEVATION
S4.04 SCALE 1:50

NOTE:
ALL STEEL HOT DIPPED GALVANIZED



4 WEST ELEVATION
S4.04 SCALE 1:50



<p>Certificate of Authorization Earth Tech Canada Inc. No. 730 Expiry: April 30, 2007</p>	B.M. ELEV.	<p>A Tyco International Ltd. Company</p>	ENGINEER'S SEAL	<p>THE CITY OF WINNIPEG WATER AND WASTE DEPARTMENT ENGINEERING DIVISION</p>	
	DESIGNED BY: DWS/GGP		CHECKED BY: LLR		ORIGINAL SIGNED BY: L.L. RIDING
	DRAWN BY: CMF		APPROVED BY: JEH		2006/05/15
	SCALE: AS NOTED		RELEASED FOR CONSTRUCTION BY: K. MARTENS		CONSULTANT DRAWING NO. S4.06
00 ISSUED FOR TENDER 06/05/15 CMF	NO. REVISIONS DATE BY	DATE 2006/04/03 DATE 2006/05/15	NEWPCC CENTRATE NUTRIENT TREATMENT NITROGEN REMOVAL FACILITY	CITY FILE NUMBER	
			STRUCTURAL METHANOL FACILITY SERVICE PLATFORM ELEVATIONS	SHEET OF	
				CITY DRAWING NUMBER	