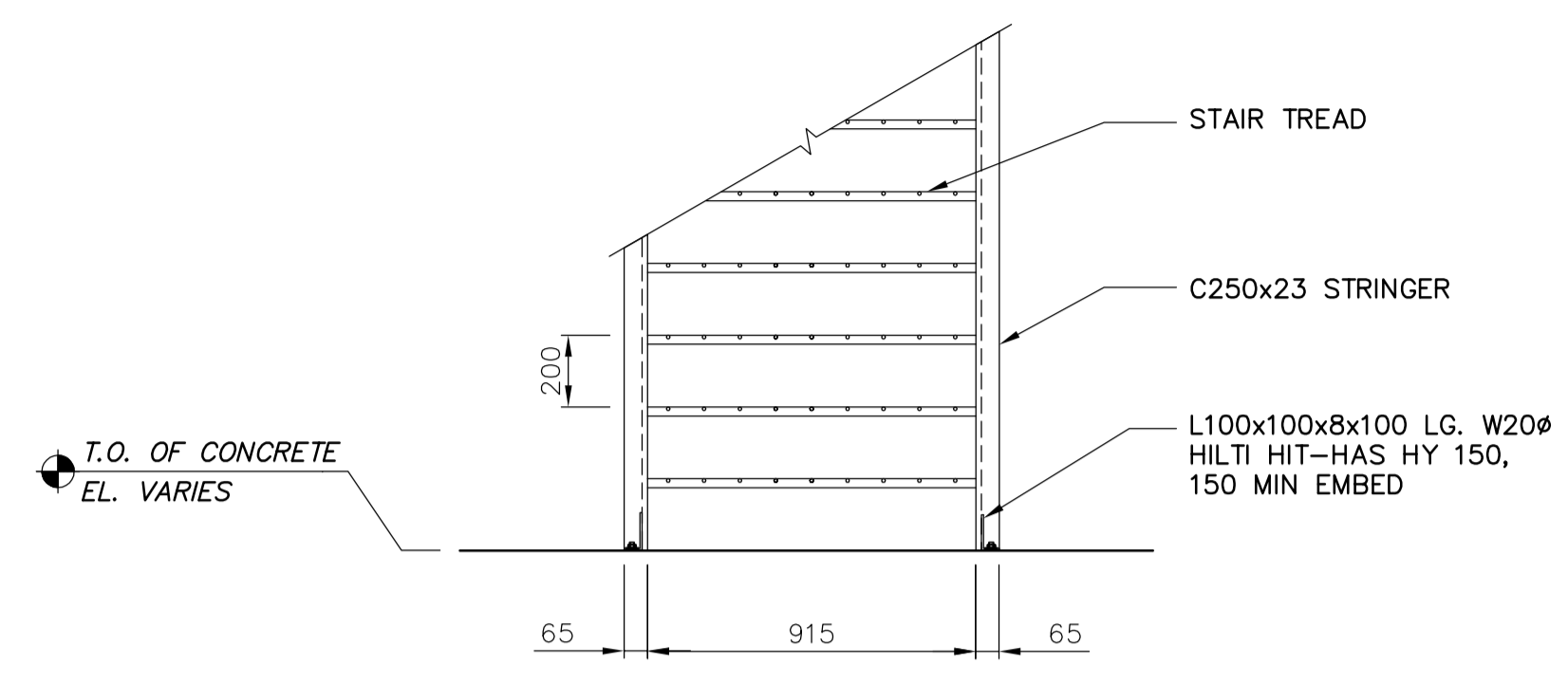
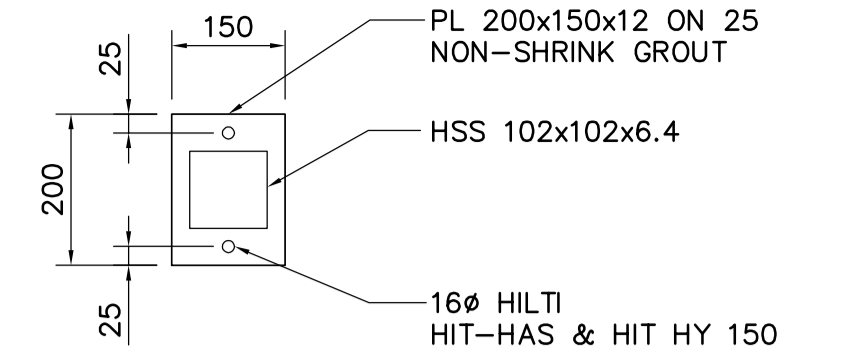


**A PLAN VIEW - STAIR DETAIL**  
S4.03 SCALE 1:20

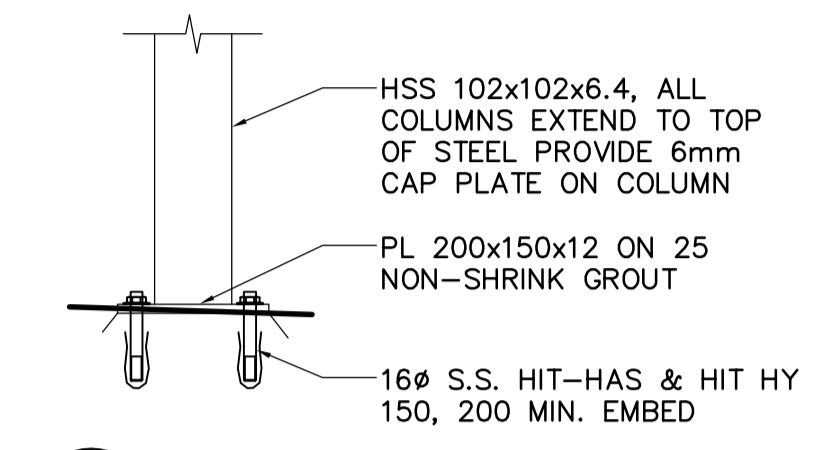
NOTE:  
ALL STEEL HOT DIPPED GALVANIZED



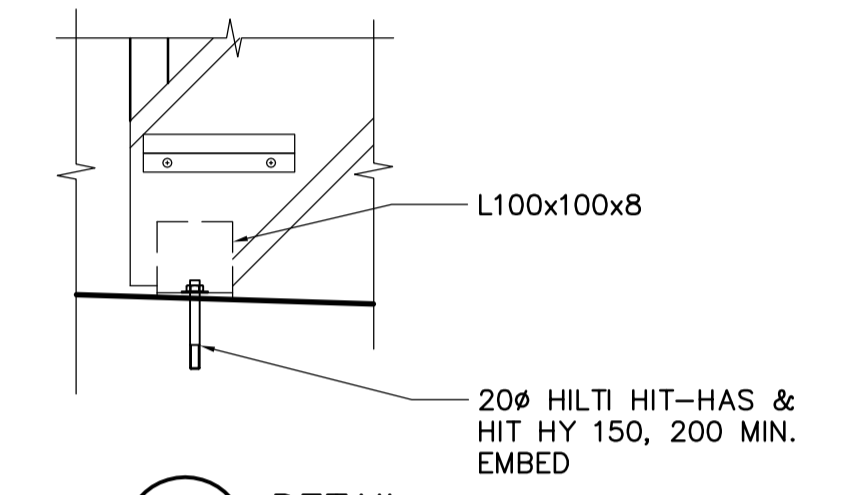
**2 STAIR ELEVATION - PARTIAL**  
S4.05 SCALE 1:20



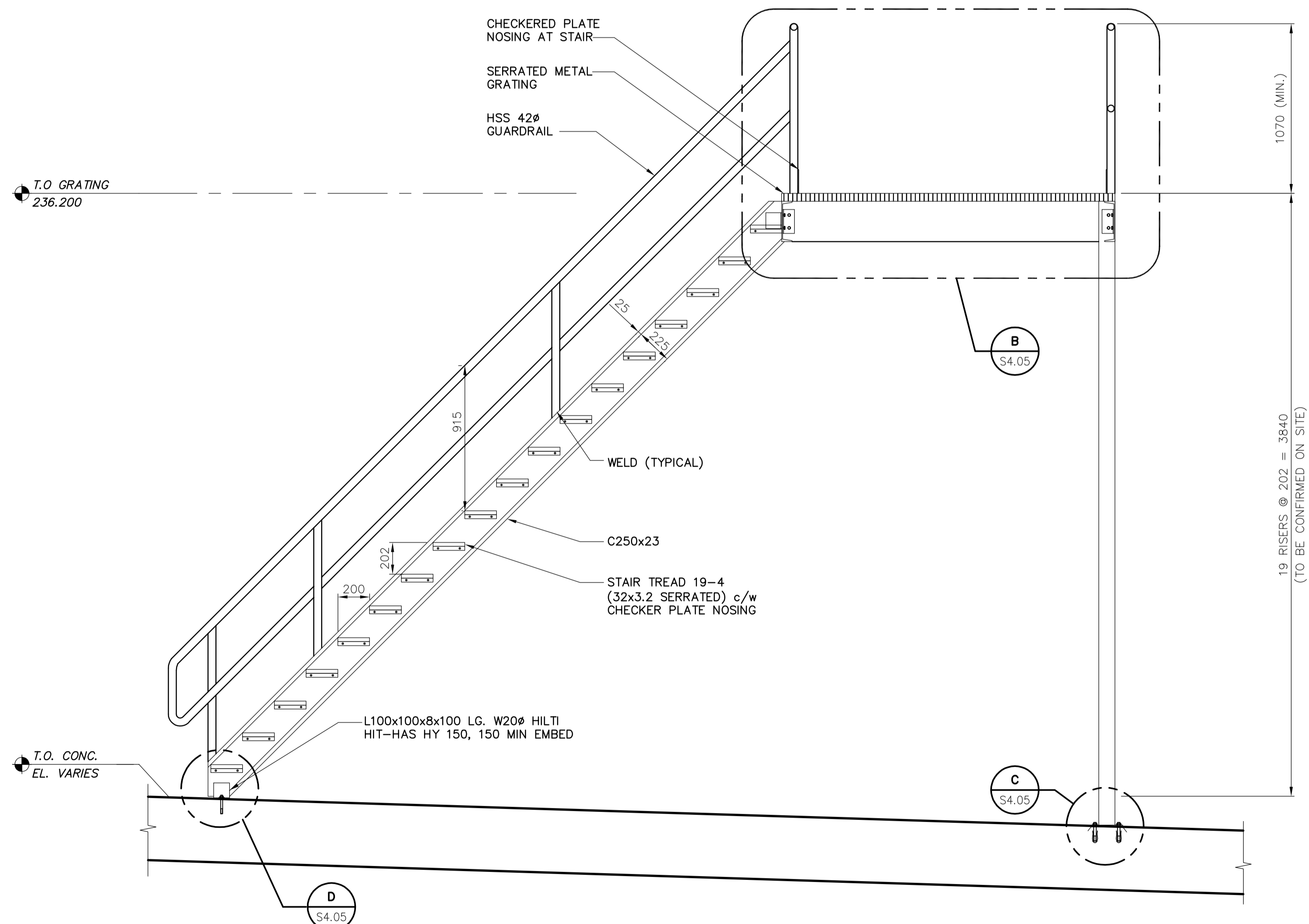
**PLAN VIEW**  
1:10



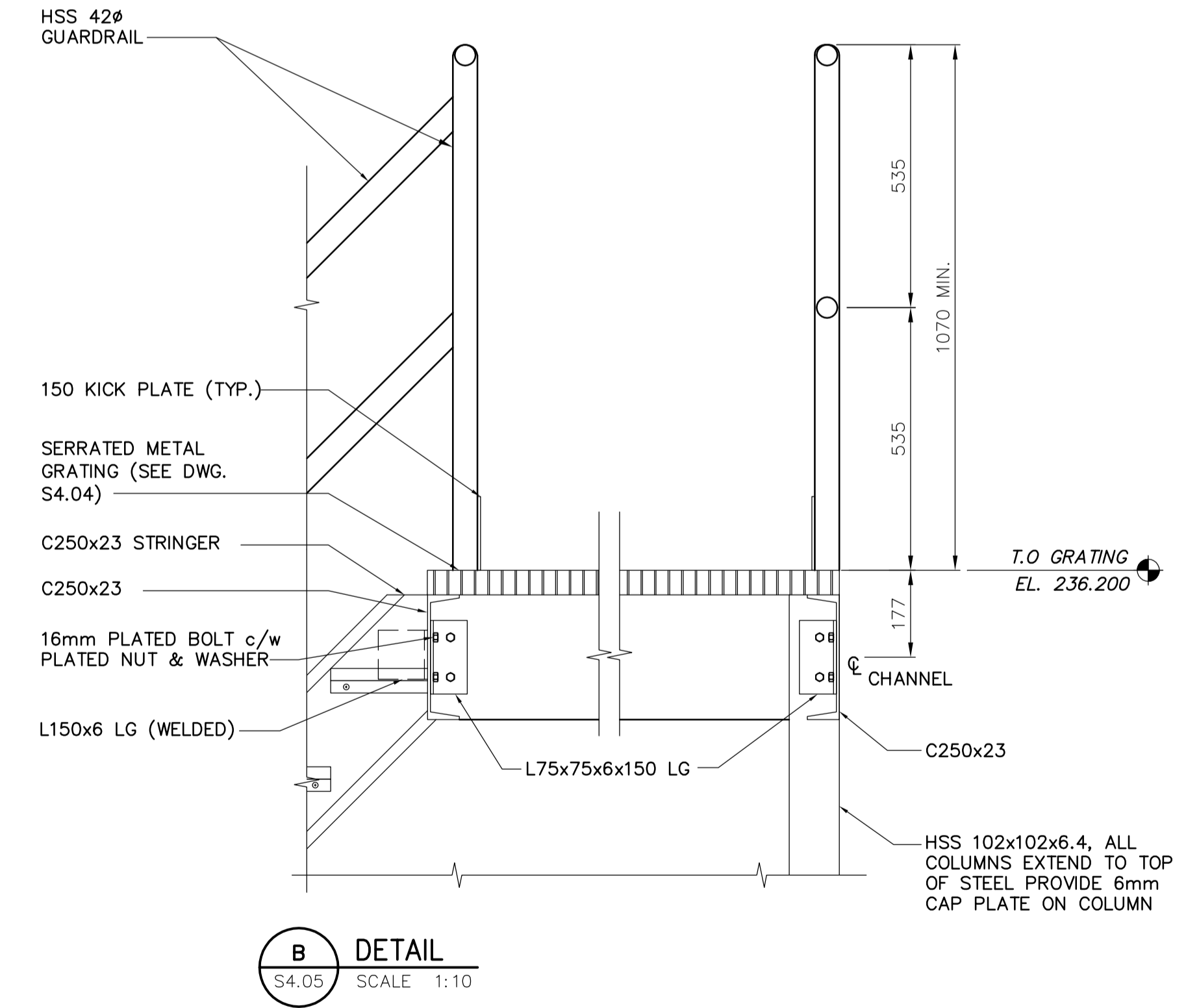
**C DETAIL**  
S4.05 SCALE 1:10



**D DETAIL**  
S4.05 SCALE 1:10



**1 SECTION THRU STAIRS**  
S4.05 SCALE 1:20



**B DETAIL**  
S4.05 SCALE 1:10

<p><b>APEGM</b> Certificate of Authorization Earth Tech Canada Inc. No. 730 Expiry: April 30, 2007</p>		<p>B.M. ELEV.</p>	
DESIGNED BY	DWS/GGP	CHECKED BY	LLR
DRAWN BY	CMF	APPROVED BY	JEH
SCALE:	AS NOTED	RELEASED FOR CONSTRUCTION BY:	K. MARTENS
NO.	ISSUED FOR TENDER	DATE	06/05/15
NO.	REVISIONS	DATE	BY
DATE	2006/04/10	DATE	2006/05/15

<p><b>EarthTech</b> A Tyco International Ltd. Company</p>		<p>ENGINEER'S SEAL</p> <p>ORIGINAL SIGNED BY</p> <p>L.L. RIDING</p> <p>2006/05/15</p> <p>CONSULTANT DRAWING NO.</p> <p>S4.05</p>	
DESIGNED BY	DWS/GGP	CHECKED BY	LLR
DRAWN BY	CMF	APPROVED BY	JEH
SCALE:	AS NOTED	RELEASED FOR CONSTRUCTION BY:	K. MARTENS
DATE	2006/04/10	DATE	2006/05/15

<p><b>THE CITY OF WINNIPEG</b> WATER AND WASTE DEPARTMENT ENGINEERING DIVISION</p>		<p>NEWPCC CENTRATE NUTRIENT TREATMENT NITROGEN REMOVAL FACILITY</p> <p>CITY FILE NUMBER</p> <p>SHEET OF</p> <p>CITY DRAWING NUMBER</p>	
<p>STRUCTURAL METHANOL FACILITY STAIR PLAN, SECTIONS &amp; DETAILS</p>			