

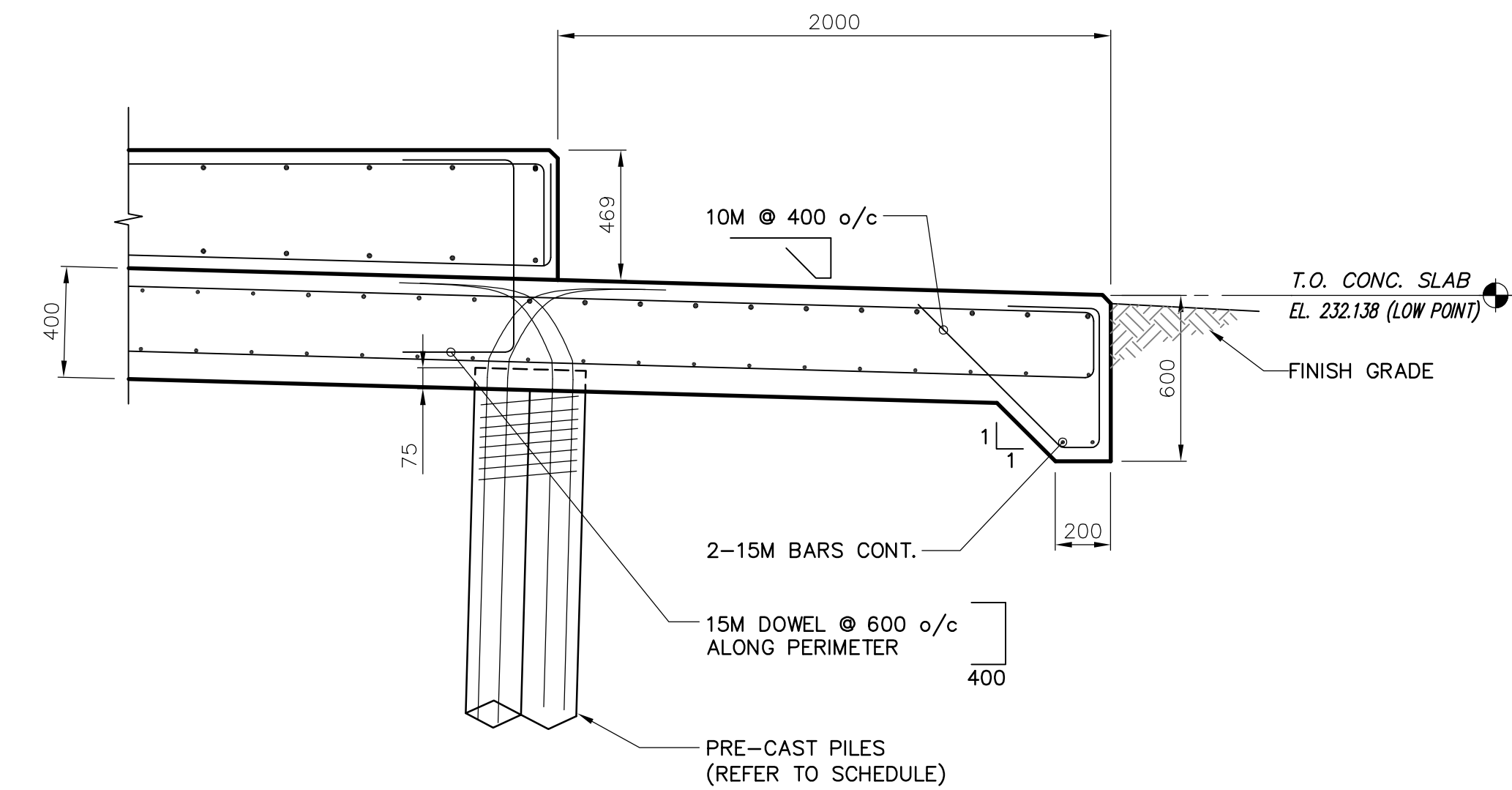
**CONCRETE SLAB PLAN**

SCALE: 1:50

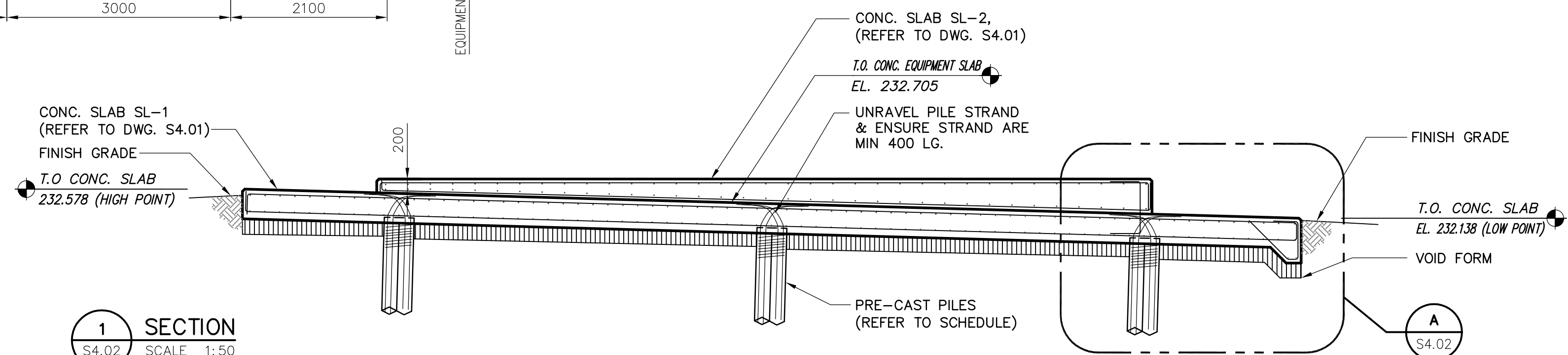
**DESIGN NOTES:**

DEAD LOADS:  
STRUCTURE = SELF WT.  
METHANOL TANK = 3.0KPa

LIVE LOADS:  
SNOW = 1.6KPa  
METHANOL TANK = 18.4KPa  
SHOWER = 4.0KPa  
OCCUPANCY = 2.4KPa



**A DETAIL**  
S4.02 SCALE 1:20



**1 SECTION**  
S4.02 SCALE 1:50

<p>Certificate of Authorization Earth Tech Canada Inc. No. 730 Expiry: April 30, 2007</p>	B.M. ELEV.	<p>A Tyco International Ltd. Company</p>	ENGINEER'S SEAL	<p>THE CITY OF WINNIPEG WATER AND WASTE DEPARTMENT ENGINEERING DIVISION</p>					
			DESIGNED BY: DWS/GGP		CHECKED BY: LLR	ORIGINAL SIGNED BY: L.L. RIDING			
			DRAWN BY: WDB		APPROVED BY: JEH	2006/05/15			
			SCALE: AS NOTED		RELEASED FOR CONSTRUCTION BY: K. MARTENS	CONSULTANT DRAWING NO. S4.02			
	NO. REVISIONS	DATE	BY	DATE	2006/04/03	DATE	2006/05/15	NEWPCC CENTRATE NUTRIENT TREATMENT NITROGEN REMOVAL FACILITY	CITY FILE NUMBER
								STRUCTURAL METHANOL FACILITY CONCRETE SLAB PLAN, SECTION & DETAIL	SHEET OF
									CITY DRAWING NUMBER