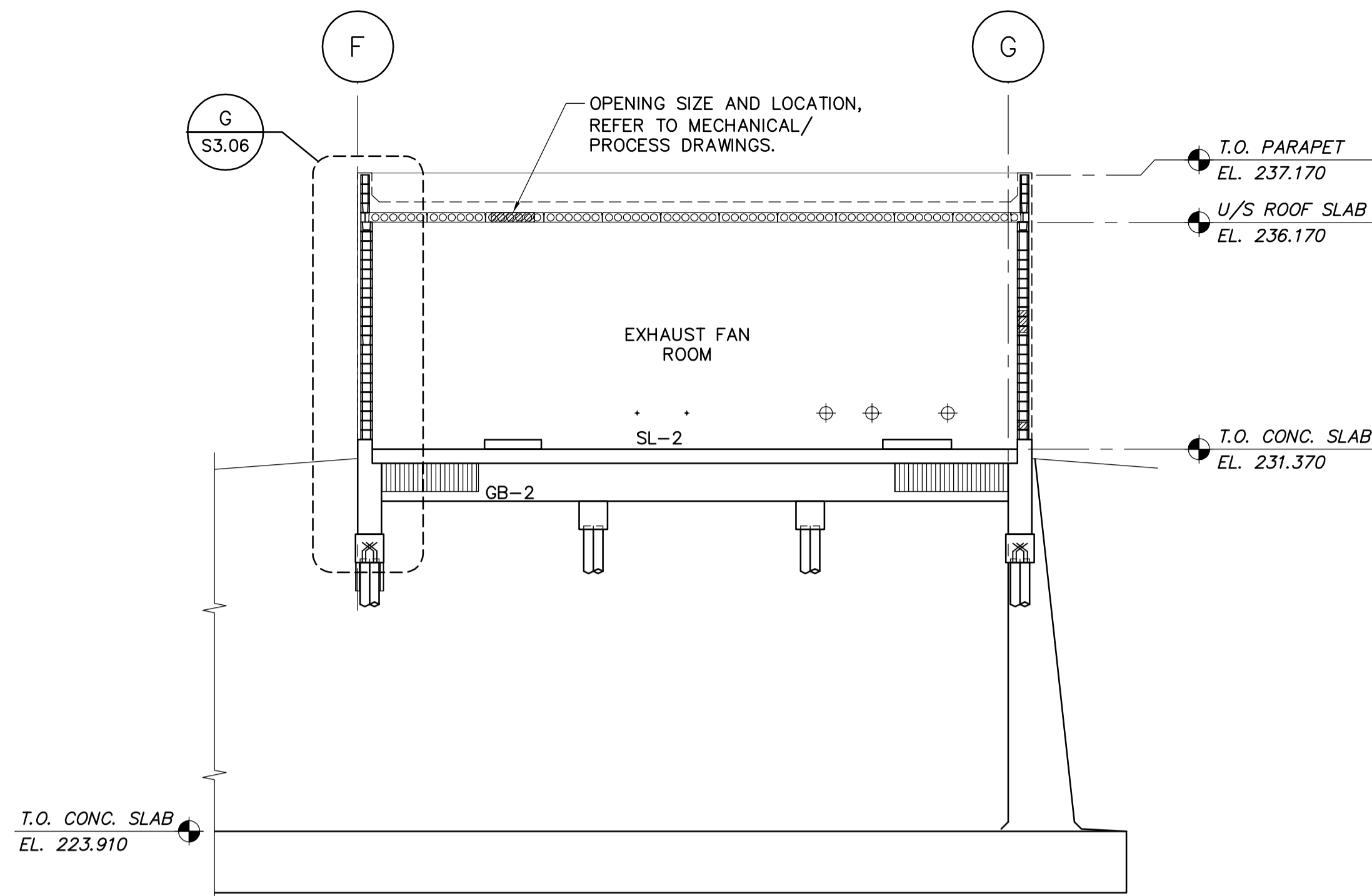
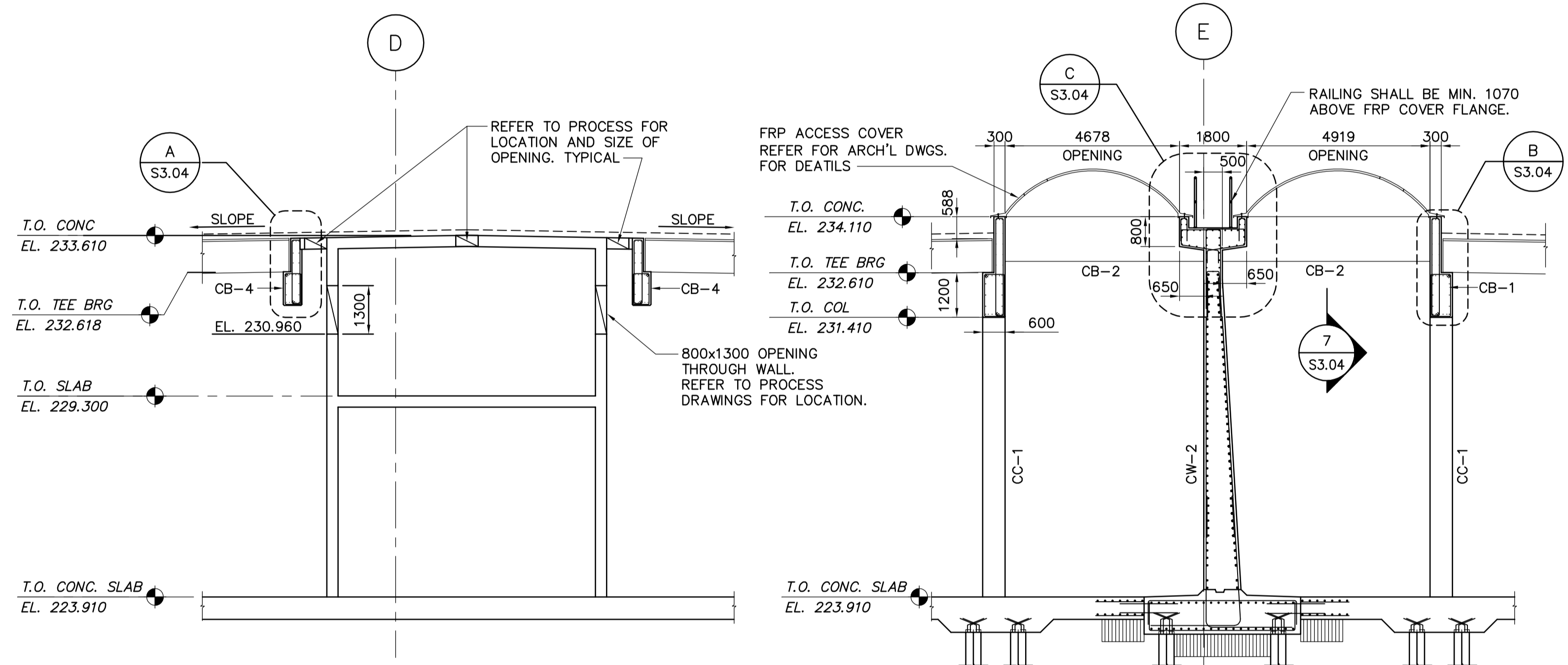


1 SECTION  
S2.03 SCALE 1:125

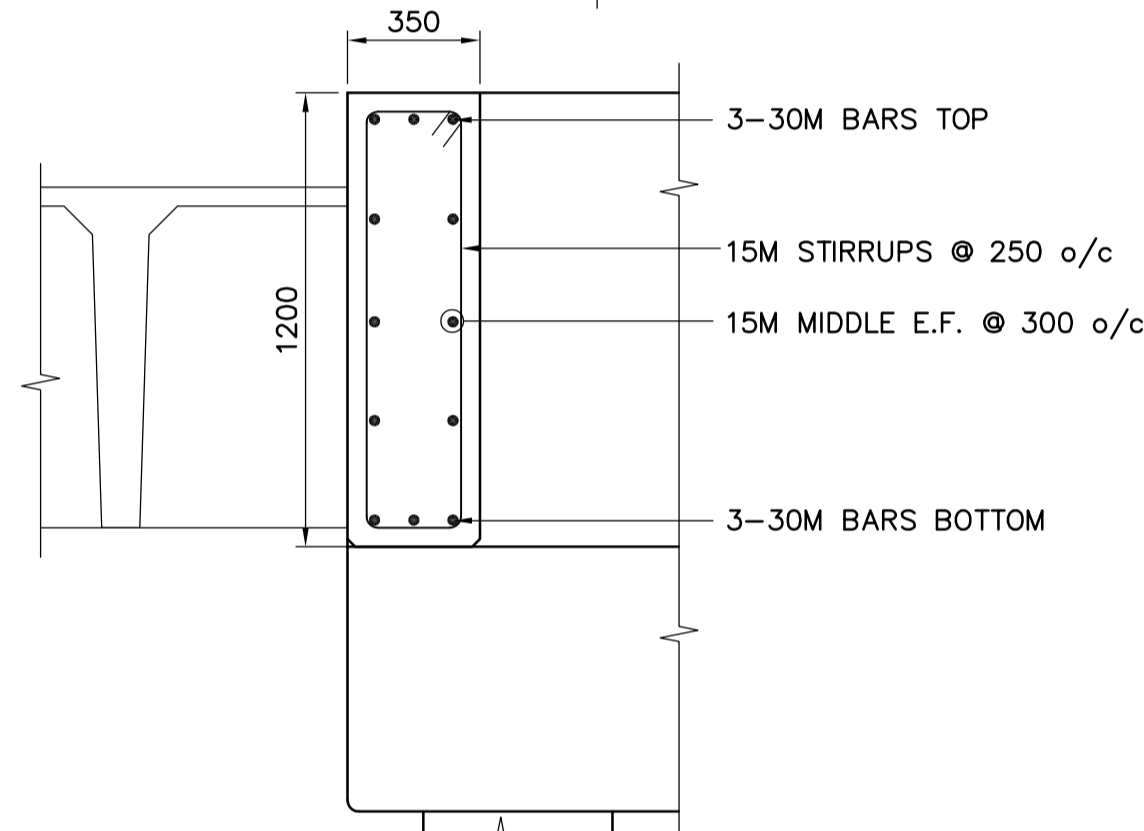


2 SECTION  
S2.03 SCALE 1:125

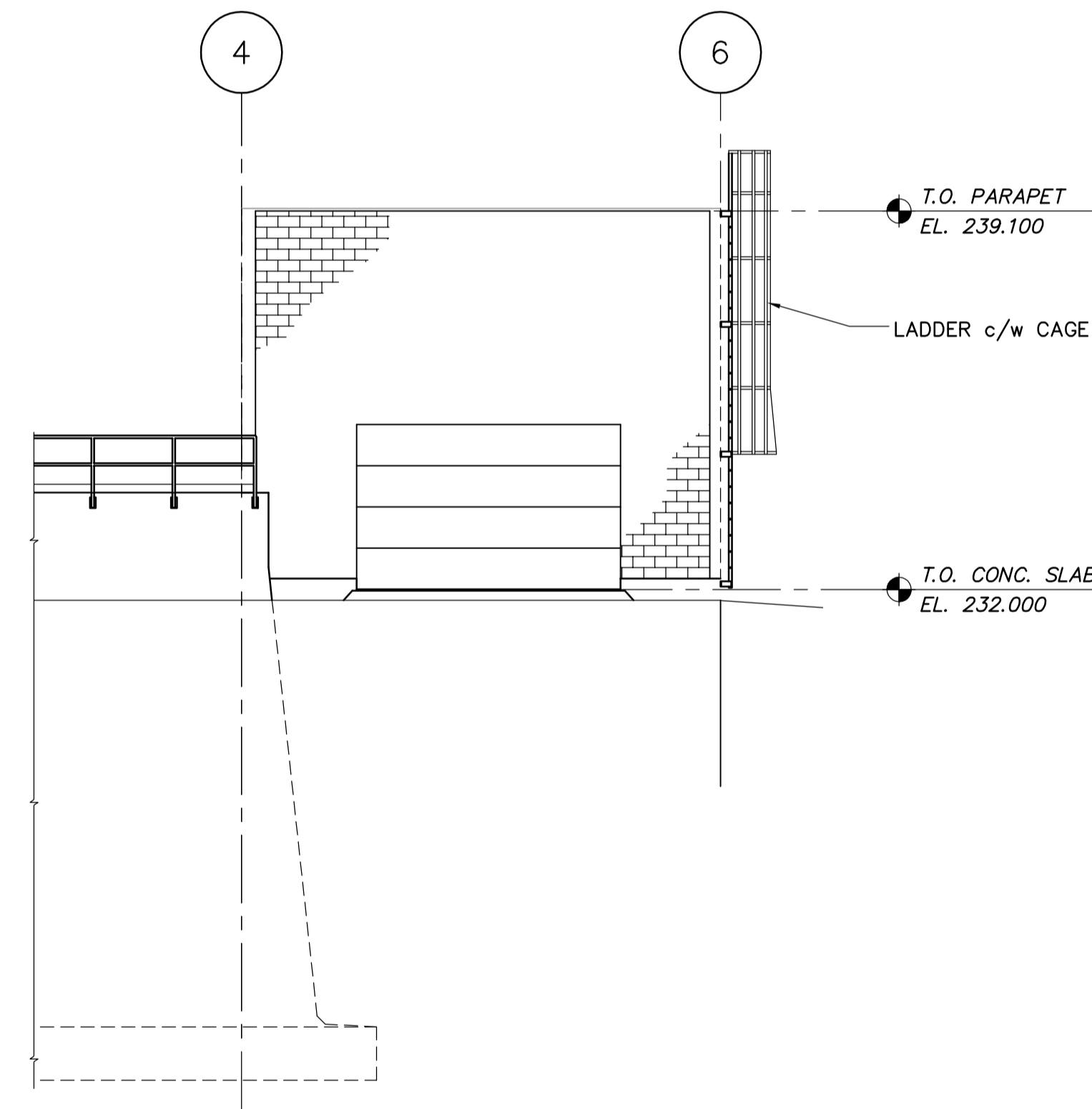


3 SECTION  
S2.03 SCALE 1:100

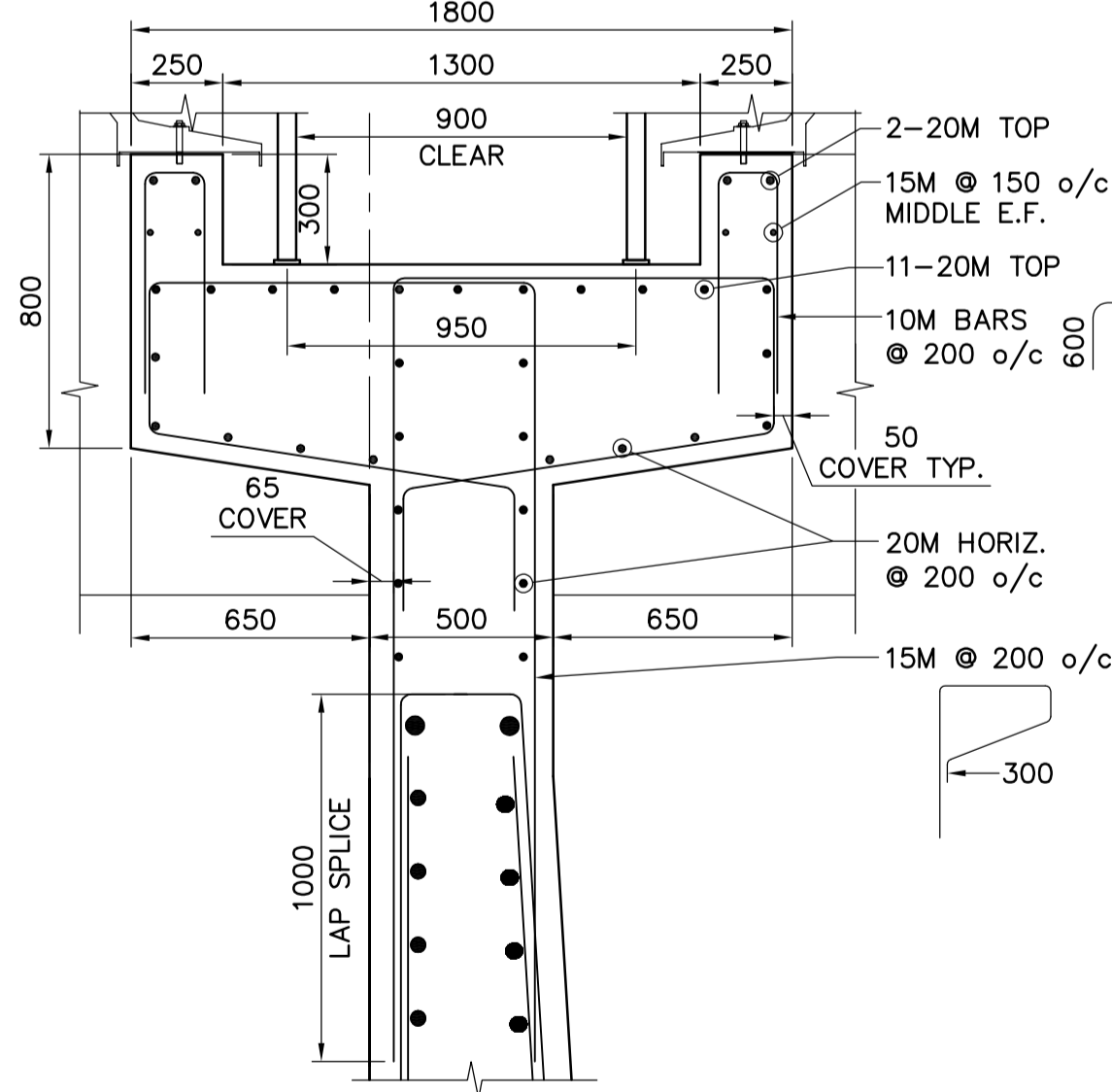
5 SECTION  
S2.03 SCALE 1:100



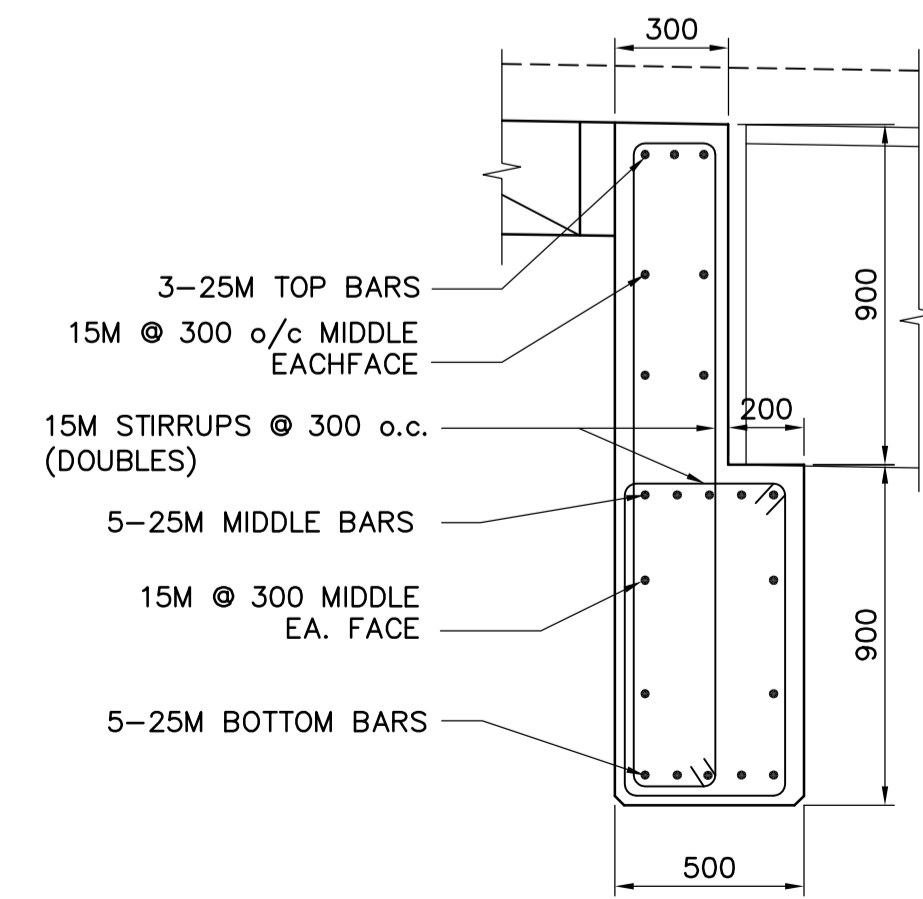
7 SECTION  
S3.04 SCALE 1:20



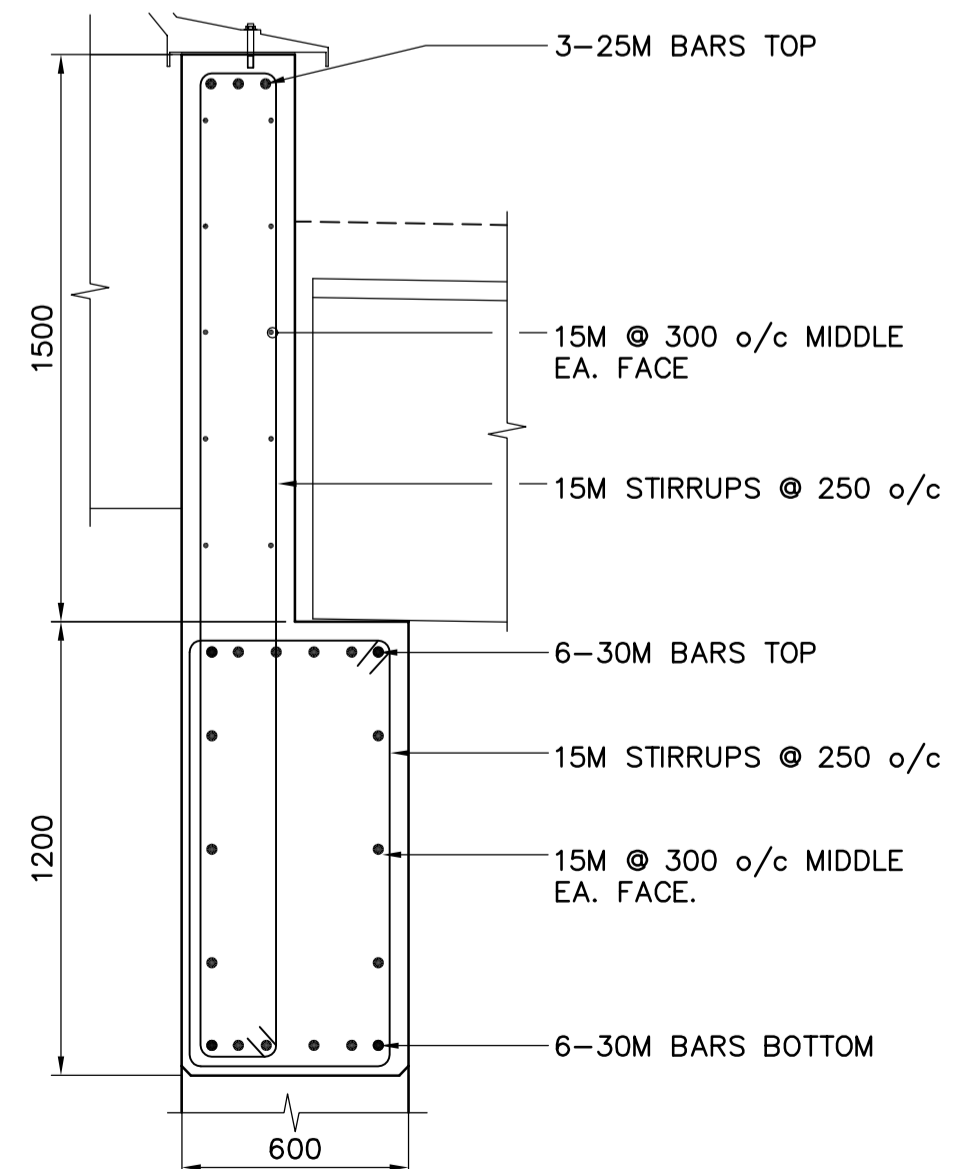
6 PARTIAL ELEVATION  
S2.03 SCALE 1:100



C DETAIL  
S3.04 SCALE 1:20



A DETAIL  
S3.04 SCALE 1:20



B DETAIL  
S3.04 SCALE 1:20

<p>Certificate of Authorization Earth Tech Canada Inc. No. 730 Expiry: April 30, 2007</p>	<p>A Tyco International Ltd. Company</p>		<p>ENGINEER'S SEAL</p> <p>ORIGINAL SIGNED BY L.L. RIDING 2006/05/15</p>		<p>THE CITY OF WINNIPEG WATER AND WASTE DEPARTMENT ENGINEERING DIVISION</p> <p>NEWPCC CENTRATE NUTRIENT TREATMENT NITROGEN REMOVAL FACILITY</p> <p>CITY FILE NUMBER SHEET OF CITY DRAWING NUMBER</p>
	DESIGNED BY: LLR	CHECKED BY: GGP	CONSULTANT DRAWING NO. S3.04		
	DRAWN BY: WDB	APPROVED BY: JEH	STRUCTURAL SBR BUILDING BUILDING SECTIONS & ELEVATION		
	SCALE: AS NOTED	RELEASED FOR CONSTRUCTION BY: K. MARTENS			
NO. REVISIONS	DATE	BY	DATE	DATE	
00	ISSUED FOR TENDER	06/05/15	WDB	2006/02/01	2006/05/15