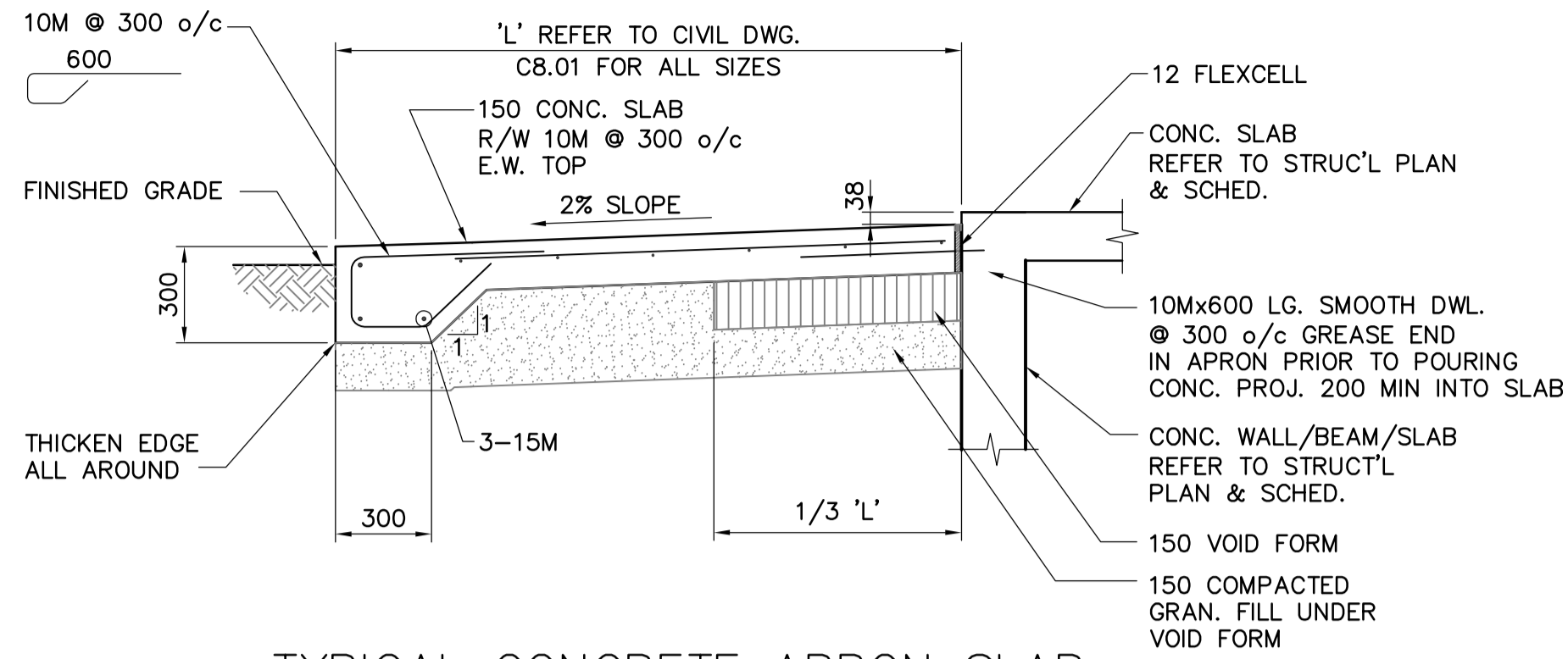
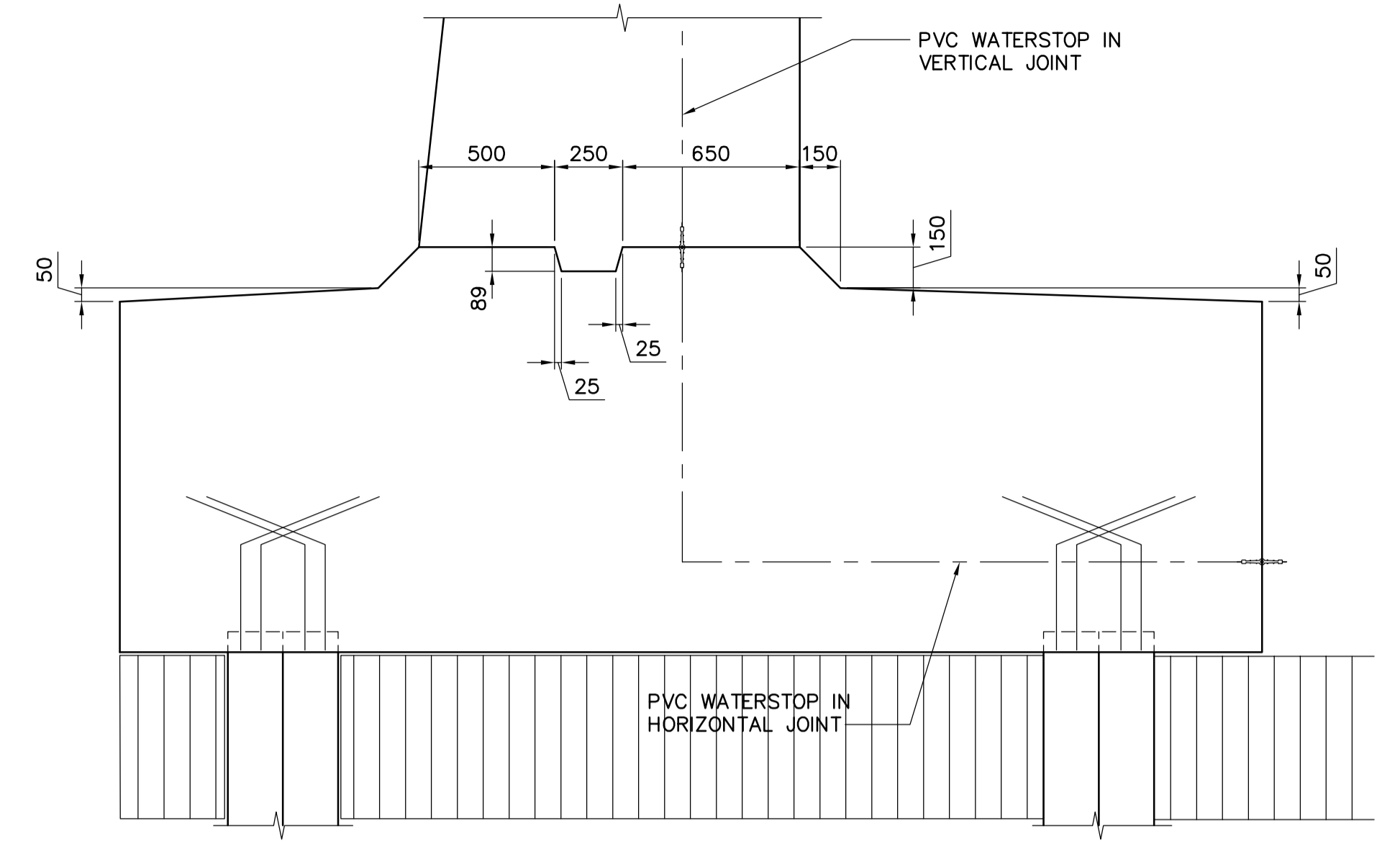


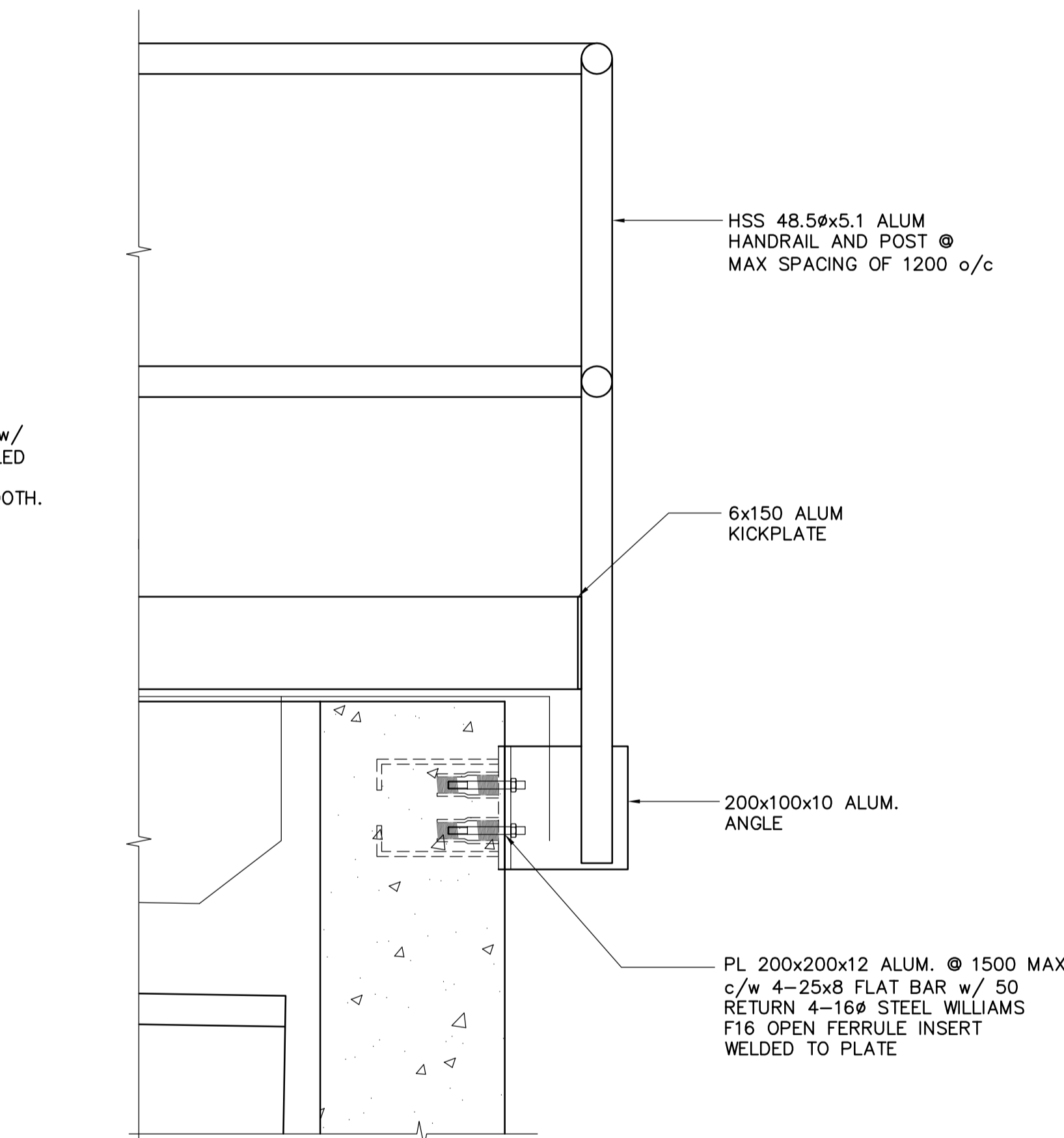
ALUMINUM LADDER AND CAGE DETAIL
SCALE N.T.S.



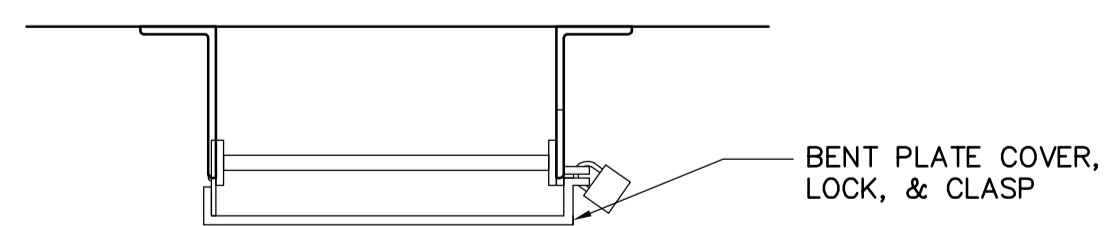
TYPICAL CONCRETE APRON SLAB
SCALE N.T.S.
SLAB & WALL/B/EAM REINFORCING NOT SHOWN FOR CLARITY.



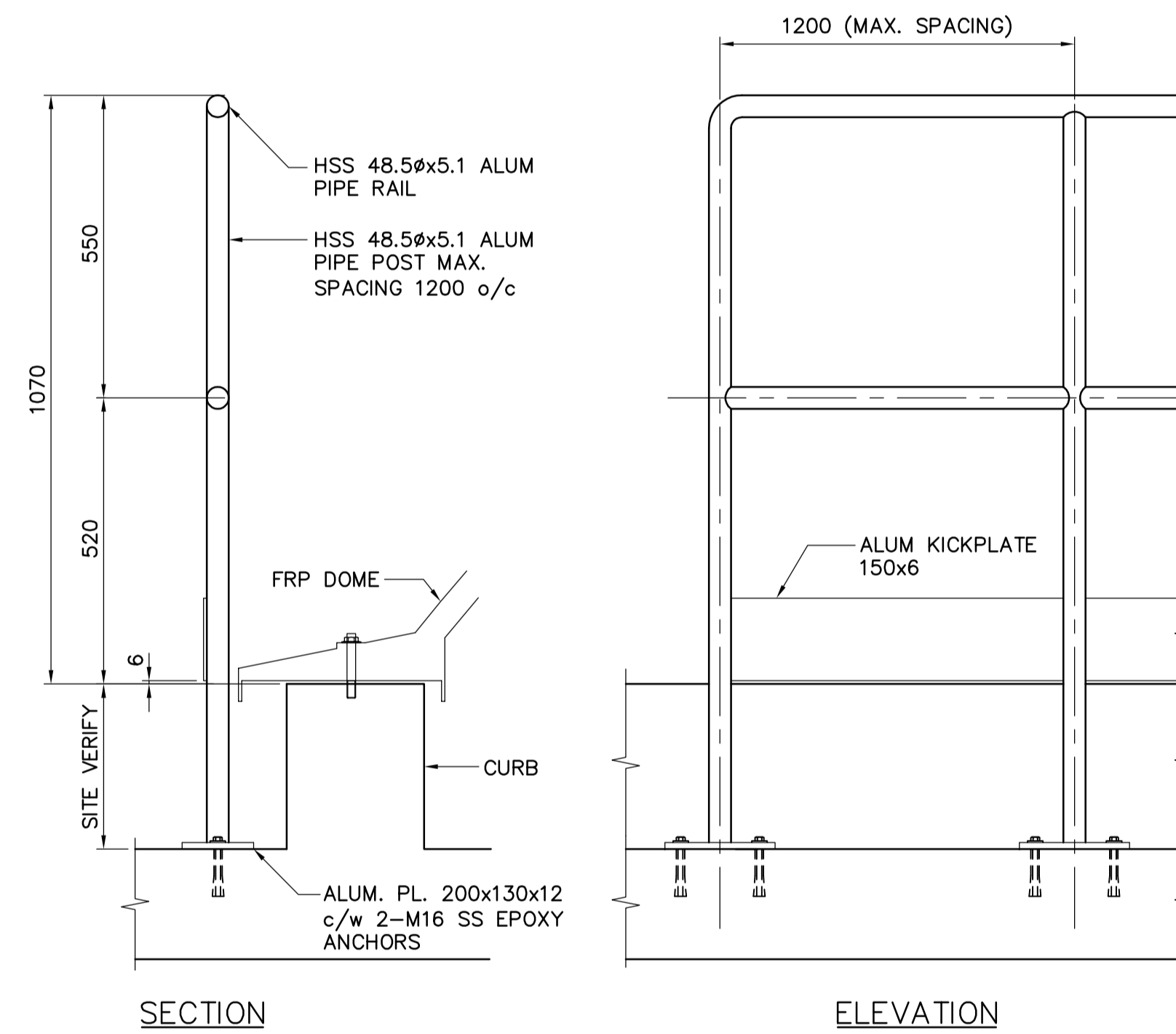
1 FOOTING TO WALL JOINT
50.03 SCALE 1:20



TYPICAL HANDRAIL POST CONNECTION
SCALE N.T.S.

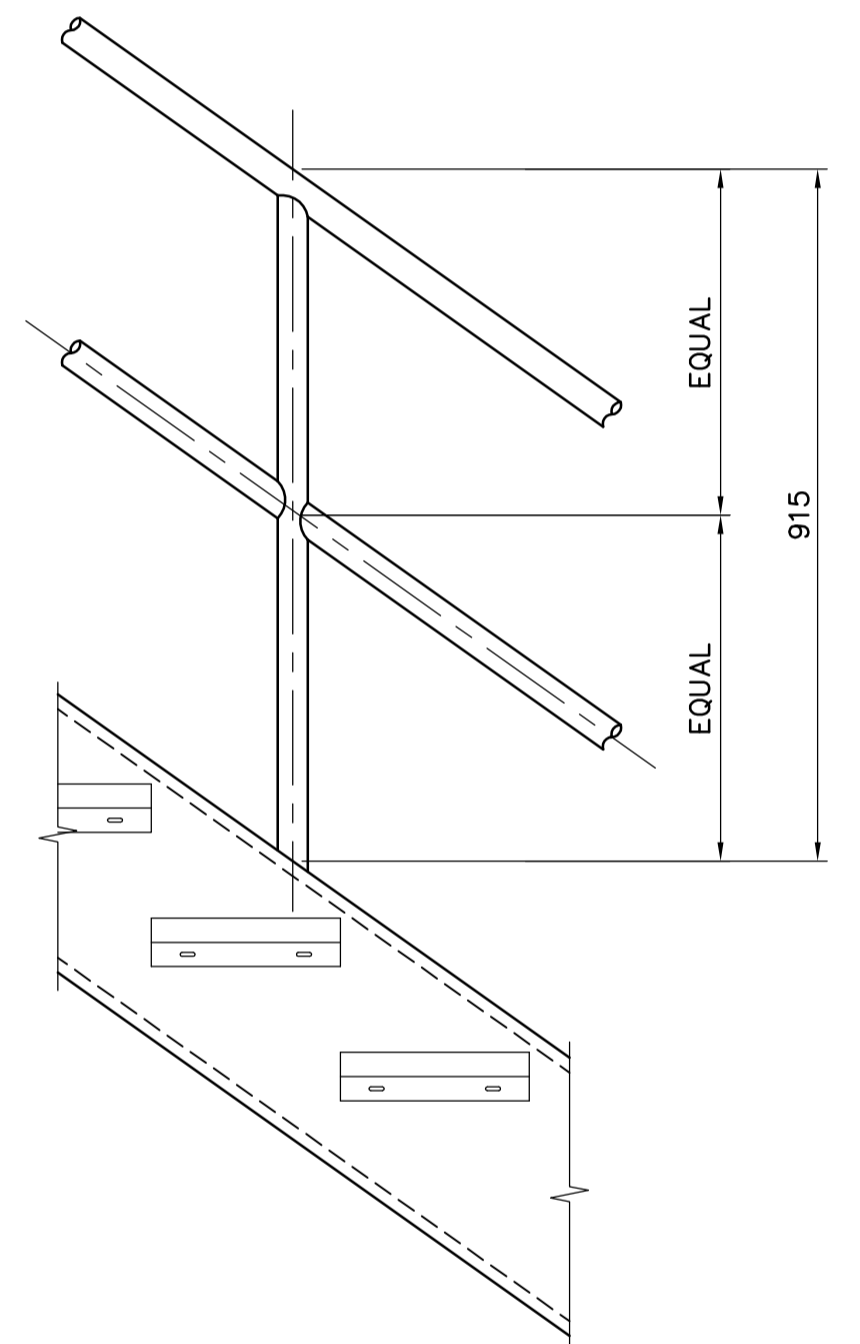


TYPICAL LOCKABLE LADDER COVER
SCALE N.T.S.

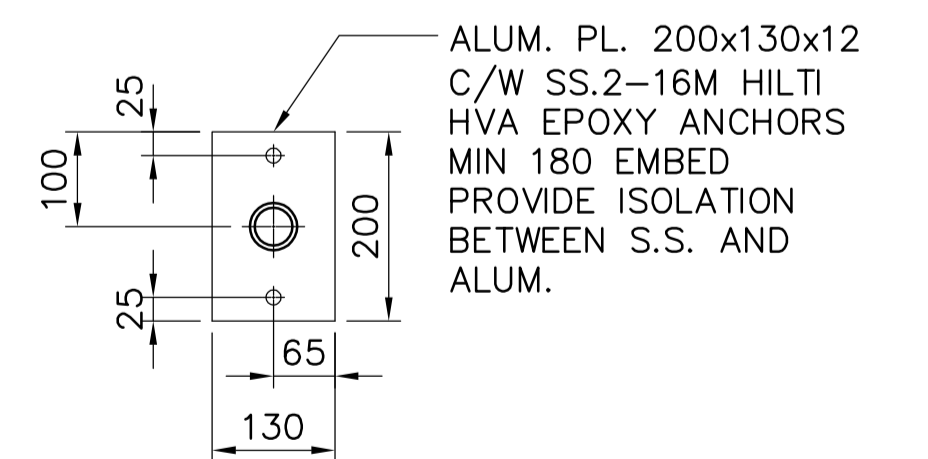


TYPICAL ALUMINUM HANDRAIL @ DECANTOR OPENING

SCALE N.T.S.
PAINT ALL ALUMINUM SURFACES IN CONTACT WITH CONCRETE WITH TWO COATS OF ALKALI-RESISTANT BITUMINOUS PAINT.
ALL MISCELLANEOUS METAL MATERIAL TO BE ALUMINUM UNLESS NOTED OTHERWISE.



ALUMINUM STAIR RAILING
(SEE STAIR DETAIL DWG S3.07)



TYP. HANDRAIL ALUM. PLATE



| B.M. ELEV. | NO. | REVISIONS | DATE | BY |
|------------|-----|-------------------|----------|-----|
| | 00 | ISSUED FOR TENDER | 06/05/15 | WDB |

| | | | |
|---|------------|-------------------------------|------------|
| EarthTech A Tyco International Ltd. Company | | | |
| DESIGNED BY | LLR | CHECKED BY | GGP |
| DRAWN BY | WDB | APPROVED BY | JEH |
| SCALE: | AS NOTED | RELEASED FOR CONSTRUCTION BY: | K. MARTENS |
| DATE | 2006/04/05 | DATE | 2006/05/23 |

| |
|------------------------|
| ENGINEER'S SEAL |
| ORIGINAL SIGNED BY |
| L.L. RIDING |
| 2006/05/15 |
| CONSULTANT DRAWING NO. |
| S0.04 |

| | |
|---|---------------------|
| THE CITY OF WINNIPEG WATER AND WASTE DEPARTMENT ENGINEERING DIVISION | |
| NEWPCC CENTRATE NUTRIENT TREATMENT NITROGEN REMOVAL FACILITY | CITY FILE NUMBER |
| STRUCTURAL SBR BUILDING STANDARD DETAILS | SHEET OF |
| | CITY DRAWING NUMBER |