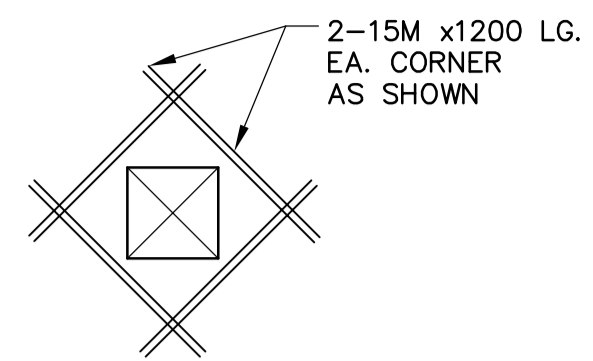
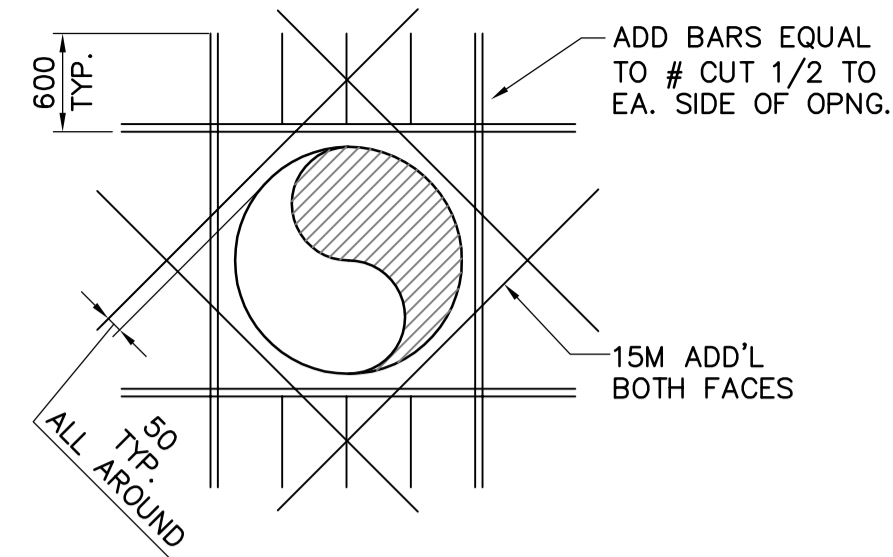


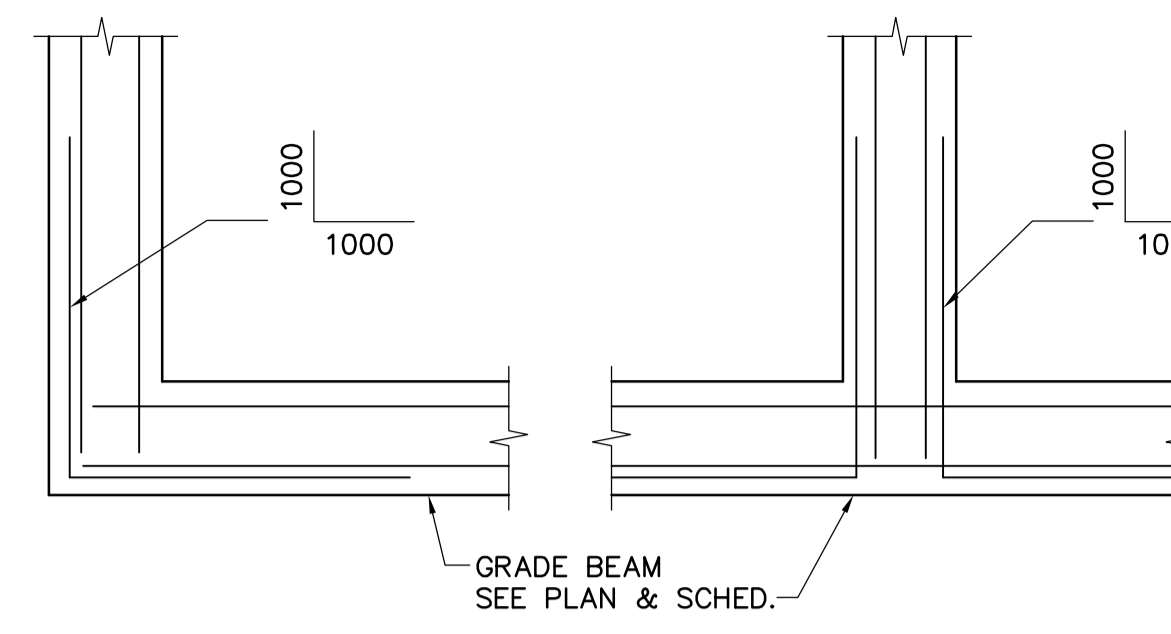
PLAN SHOWING EXTRA REINF. AROUND OPENING 150 TO 280



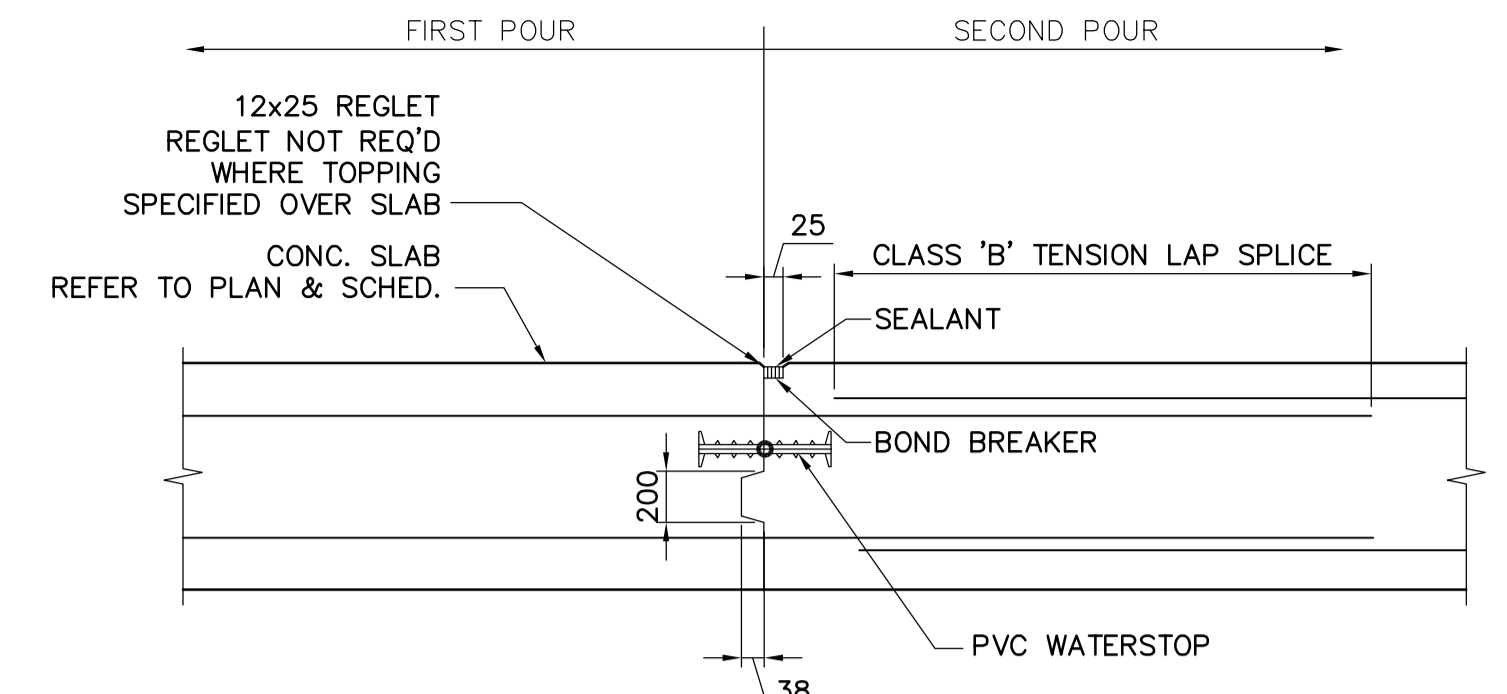
WHEN OPENING IS MORE THAN 300 FROM BEAM OR WALL



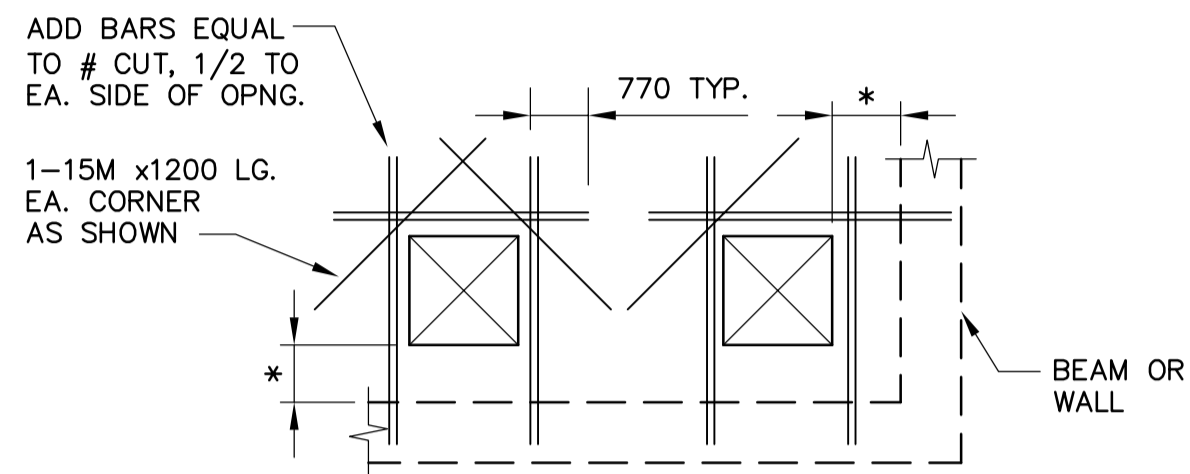
EXTRA REINFORCING AROUND PIPE UP TO 1250Ø MAX. CAST IN WALL OR FLOOR SLAB SCALE N.T.S.



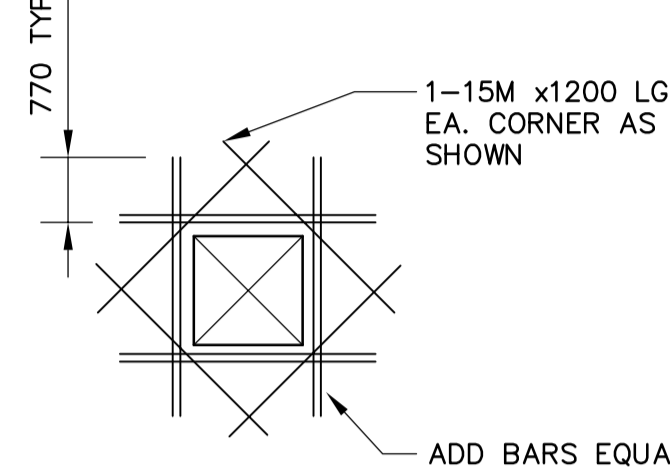
TYPICAL GRADE BEAM CORNER REINFORCING SCALE N.T.S.



CONCRETE SLAB CONSTRUCTION JOINT SCALE N.T.S. TRANSVERSE REINFORCING NOT SHOWN FOR CLARITY.



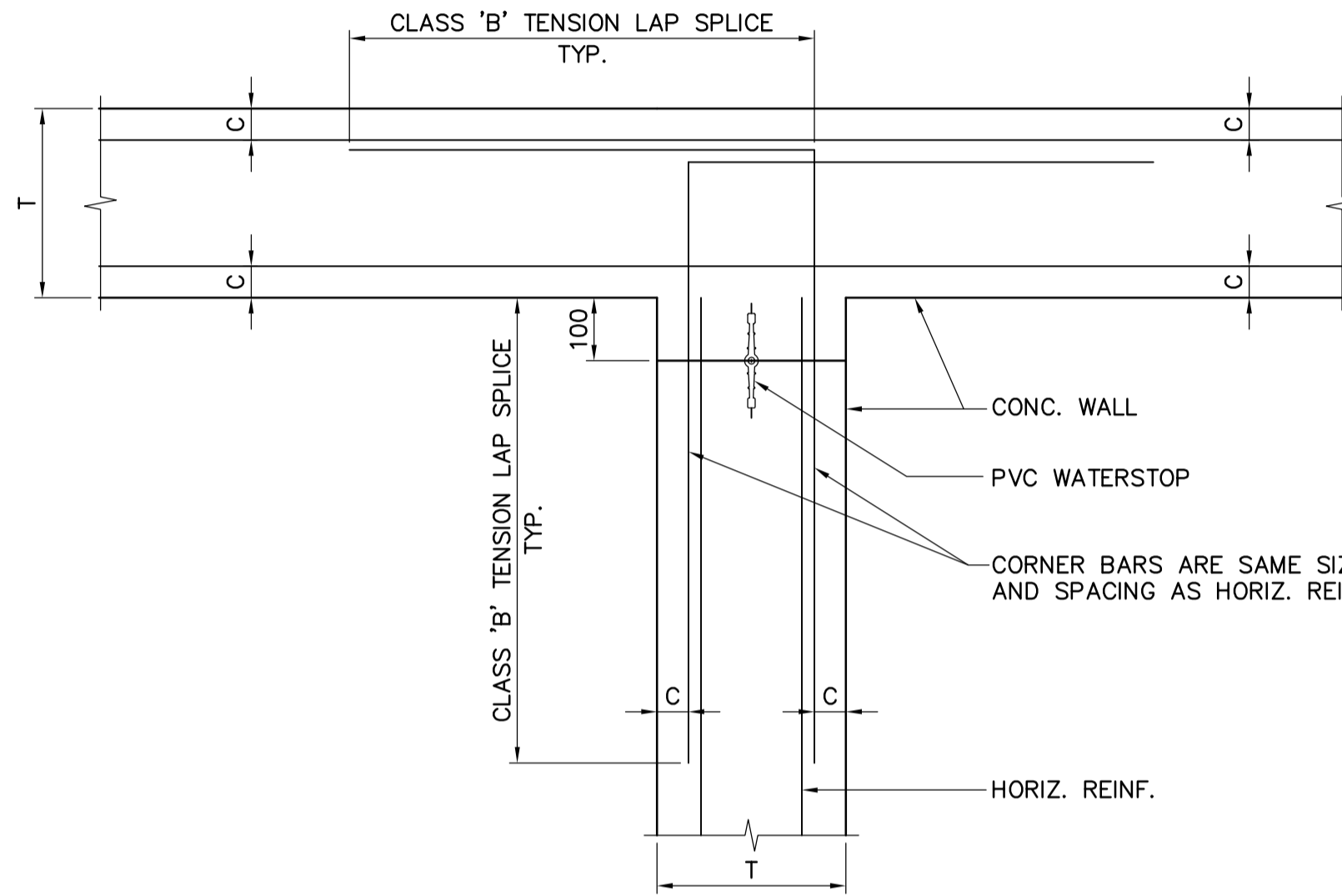
PLAN SHOWING EXTRA REINF. AROUND OPENING 300 TO 760



WHEN OPENING IS MORE THAN 300 FROM BEAM OR WALL

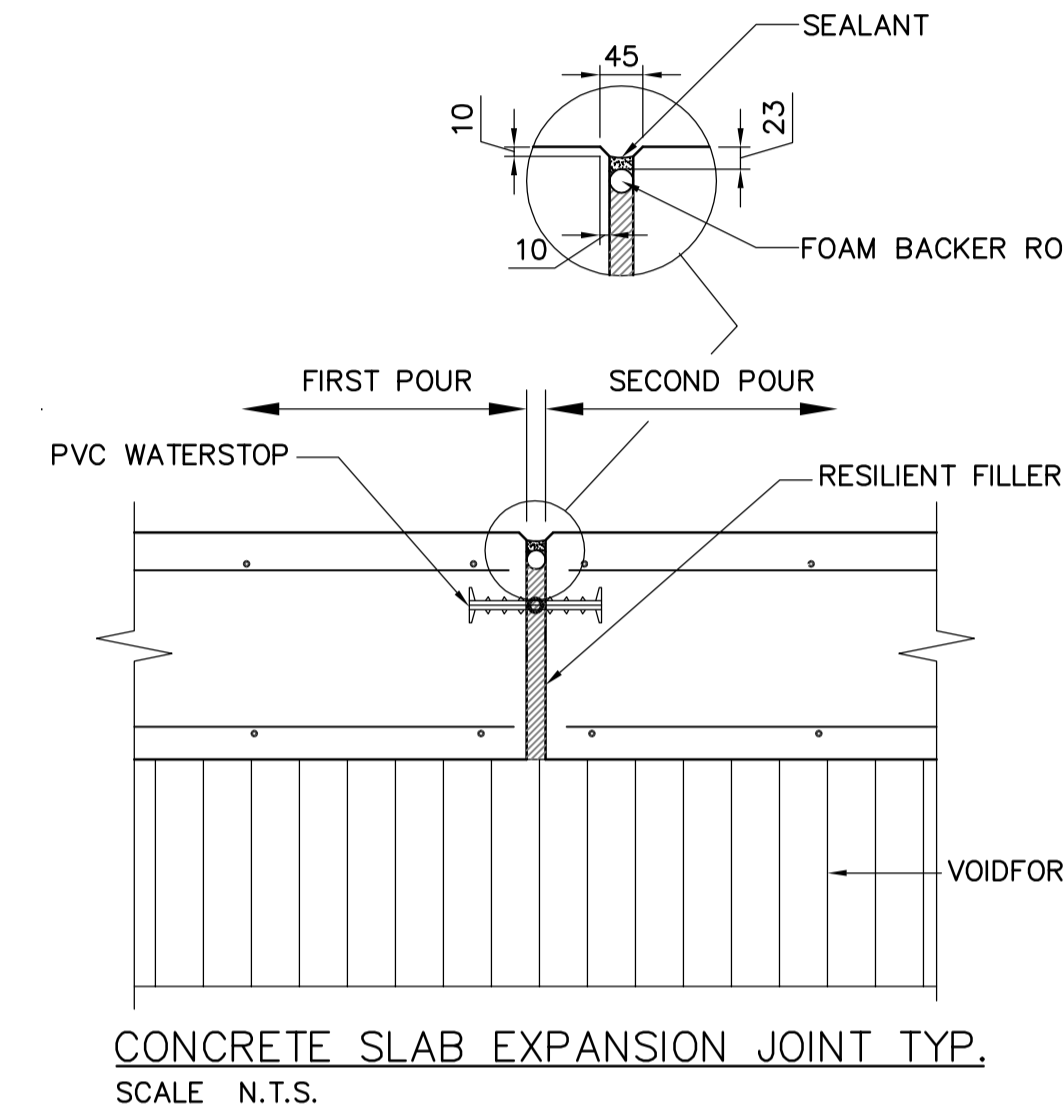
TYPICAL REINFORCING AROUND OPENINGS IN CONCRETE SLAB OR WALL SCALE N.T.S.

1. NUMBER OF REINFORCING BARS TO BE CUT AT OPENING TO BE KEPT AT A MINIMUM. DEFLECT AS MANY BARS AS POSSIBLE AROUND OPENING.
2. REINFORCING BARS TO BE KEPT MINIMUM 50 CLEAR OF OPENING.
3. CIRCULAR OPENINGS TO BE TREATED IN SAME MANNER AS RECTANGULAR UNLESS OTHERWISE DETAILED.

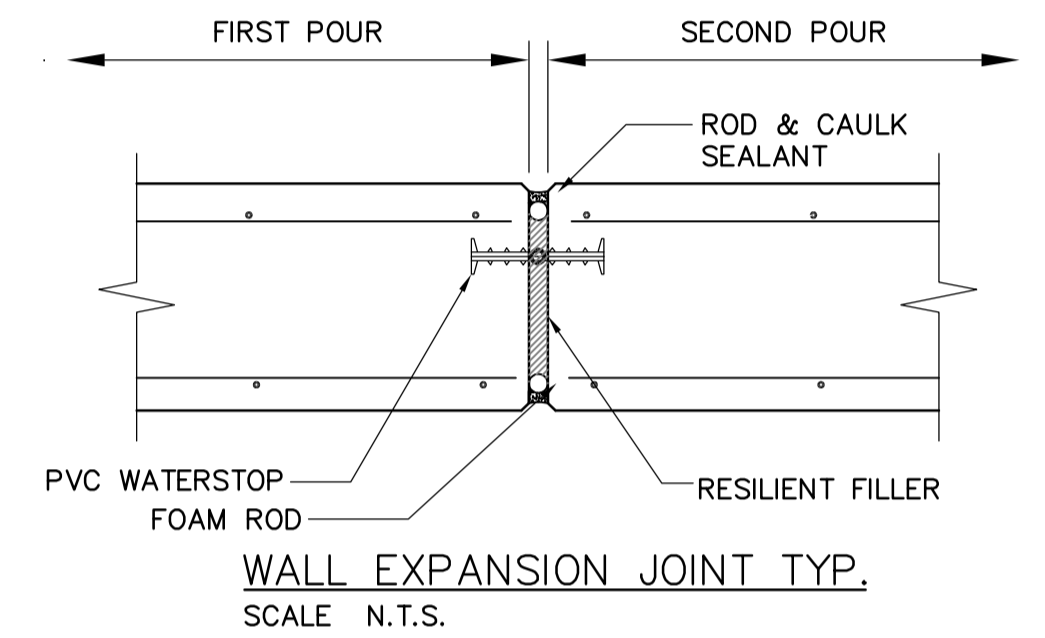


TYPICAL REINFORCING FOR WALL INTERSECTION SCALE N.T.S.

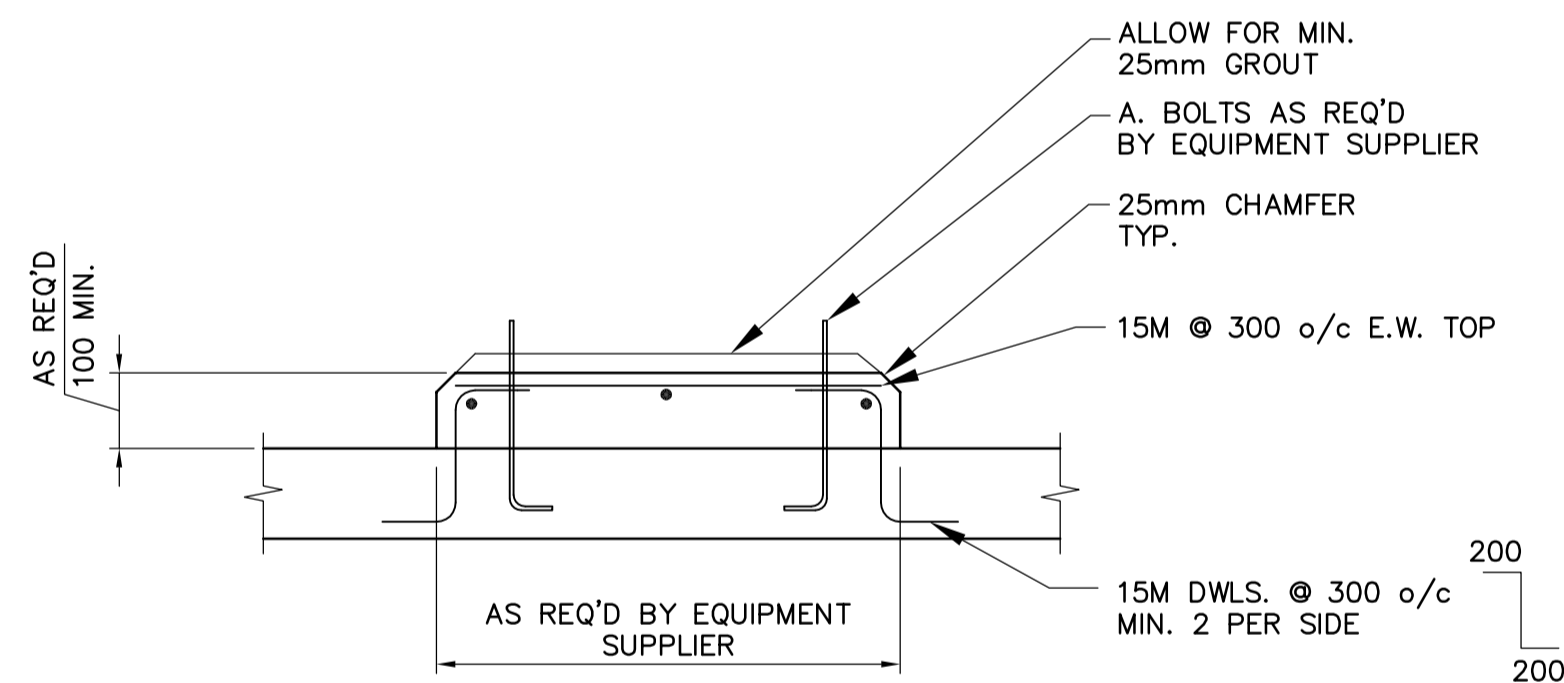
VERTICAL REINFORCING NOT SHOWN FOR CLARITY.  
C = CONC. COVER AS SPECIFIED  
T = WALL THICKNESS, REFER TO SCHED.



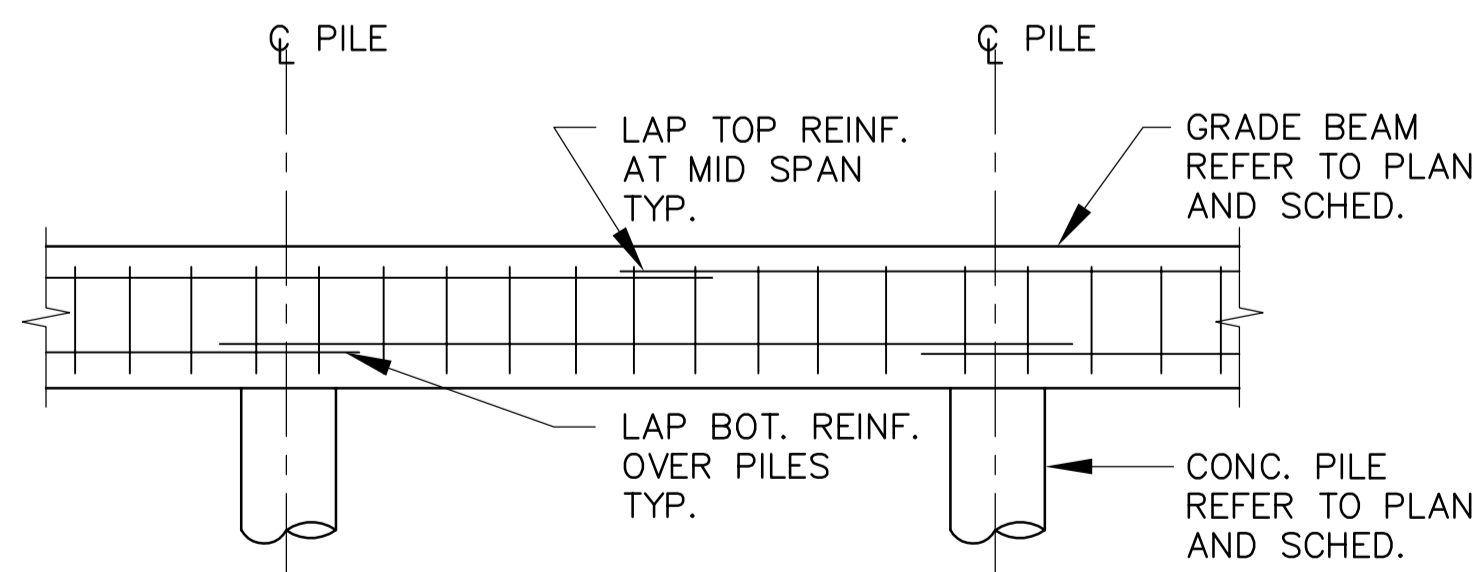
CONCRETE SLAB EXPANSION JOINT TYP. SCALE N.T.S.



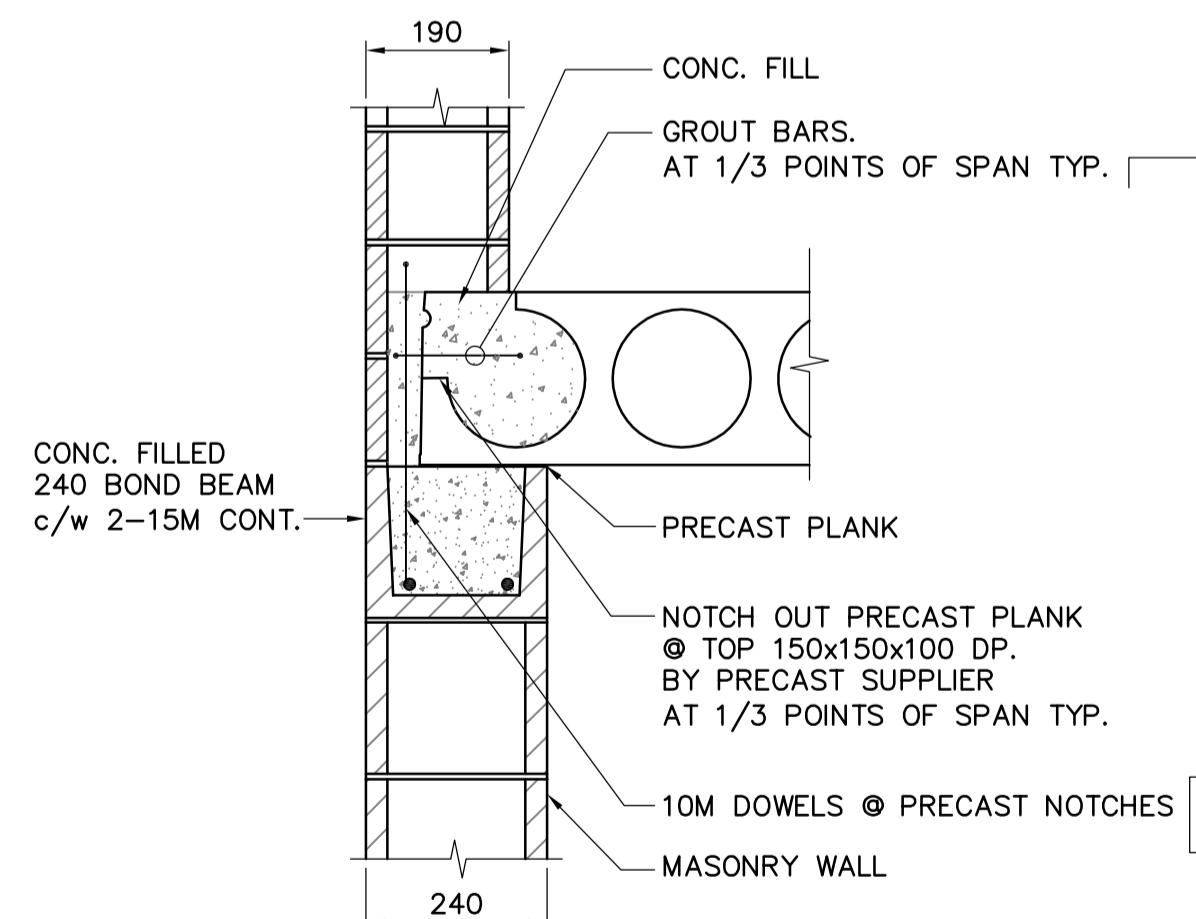
WALL EXPANSION JOINT TYP. SCALE N.T.S.



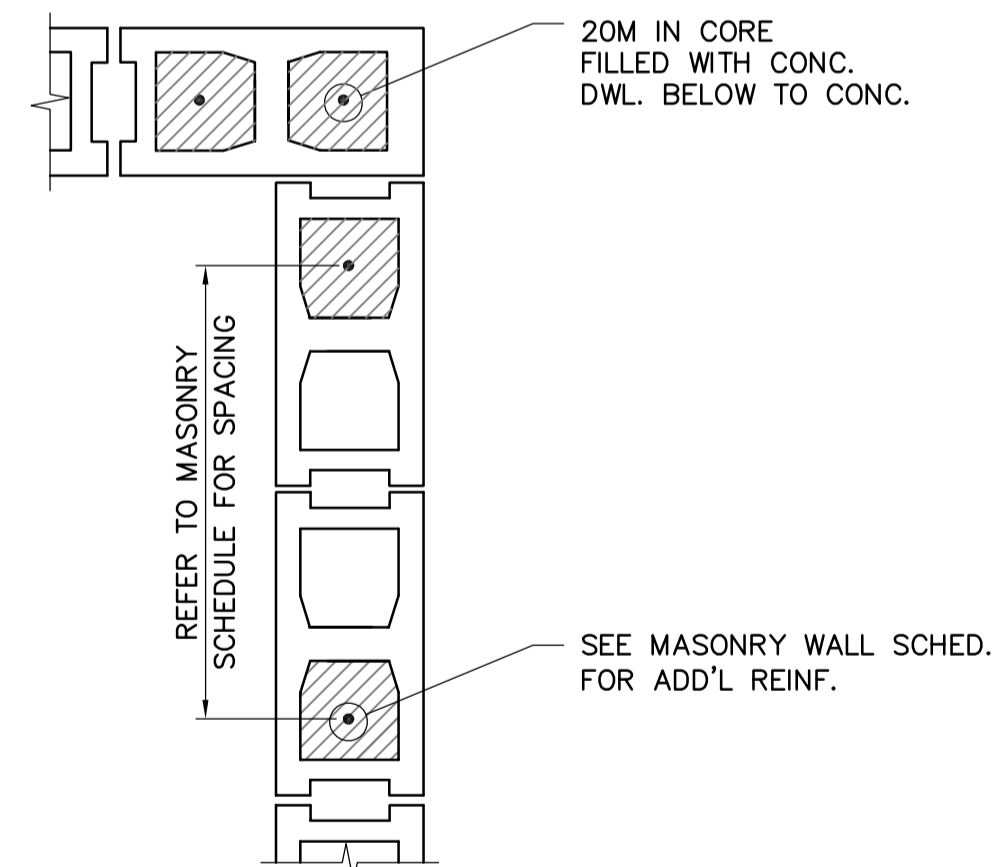
HOUSE KEEPING PADS FOR EQUIPMENT ON STRUCTURAL SLAB U/N OTHERWISE SCALE N.T.S.



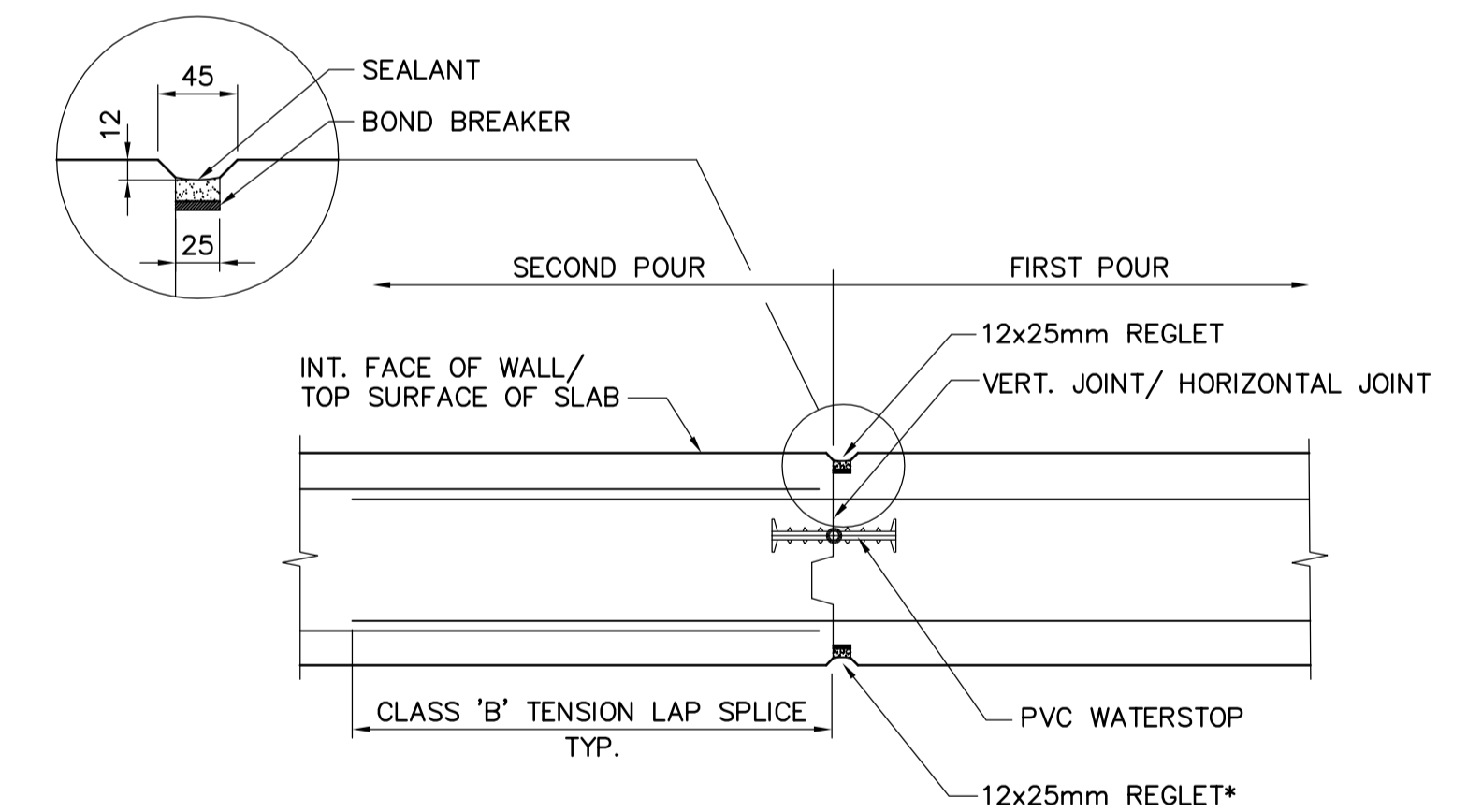
GRADE BEAM SPLICE DETAIL SCALE N.T.S.



PRECAST PLANK PARALLEL TO MASONRY WALL DETAIL 1 SEE DWG S3.06 FOR MASONRY REINF.



TYPICAL VERTICAL REINFORCING DETAIL SCALE N.T.S. MASONRY WALL VERTICAL REINFORCING SHALL BE INSTALLED AT ALL CORNERS IN MASONRY WALLS & AT END OF MASONRY WALLS.



TYPICAL WALL CONSTRUCTION JOINT SCALE N.T.S.

\*NOT APPLICABLE FOR FLOOR SLABS TRANSVERSE REINFORCING NOT SHOWN FOR CLARITY.



B.M. ELEV.					
DESIGNED BY	LLR	CHECKED BY	GGP		
DRAWN BY	WDB	APPROVED BY	JEH		
SCALE:	AS NOTED	RELEASED FOR CONSTRUCTION BY:	K. MARTENS		
NO. REVISIONS		DATE	2006/02/01	DATE	2006/05/15
00	ISSUED FOR TENDER	06/05/15	WDB		



ENGINEER'S SEAL  
ORIGINAL SIGNED BY  
L.L. RIDING  
2006/05/15  
CONSULTANT DRAWING NO.  
S0.02

THE CITY OF WINNIPEG  
WATER AND WASTE DEPARTMENT  
ENGINEERING DIVISION  
NEWPCC CENTRATE NUTRIENT TREATMENT NITROGEN REMOVAL FACILITY  
CITY FILE NUMBER  
SHEET OF  
CITY DRAWING NUMBER  
STRUCTURAL  
SBR BUILDING  
STANDARD DETAILS