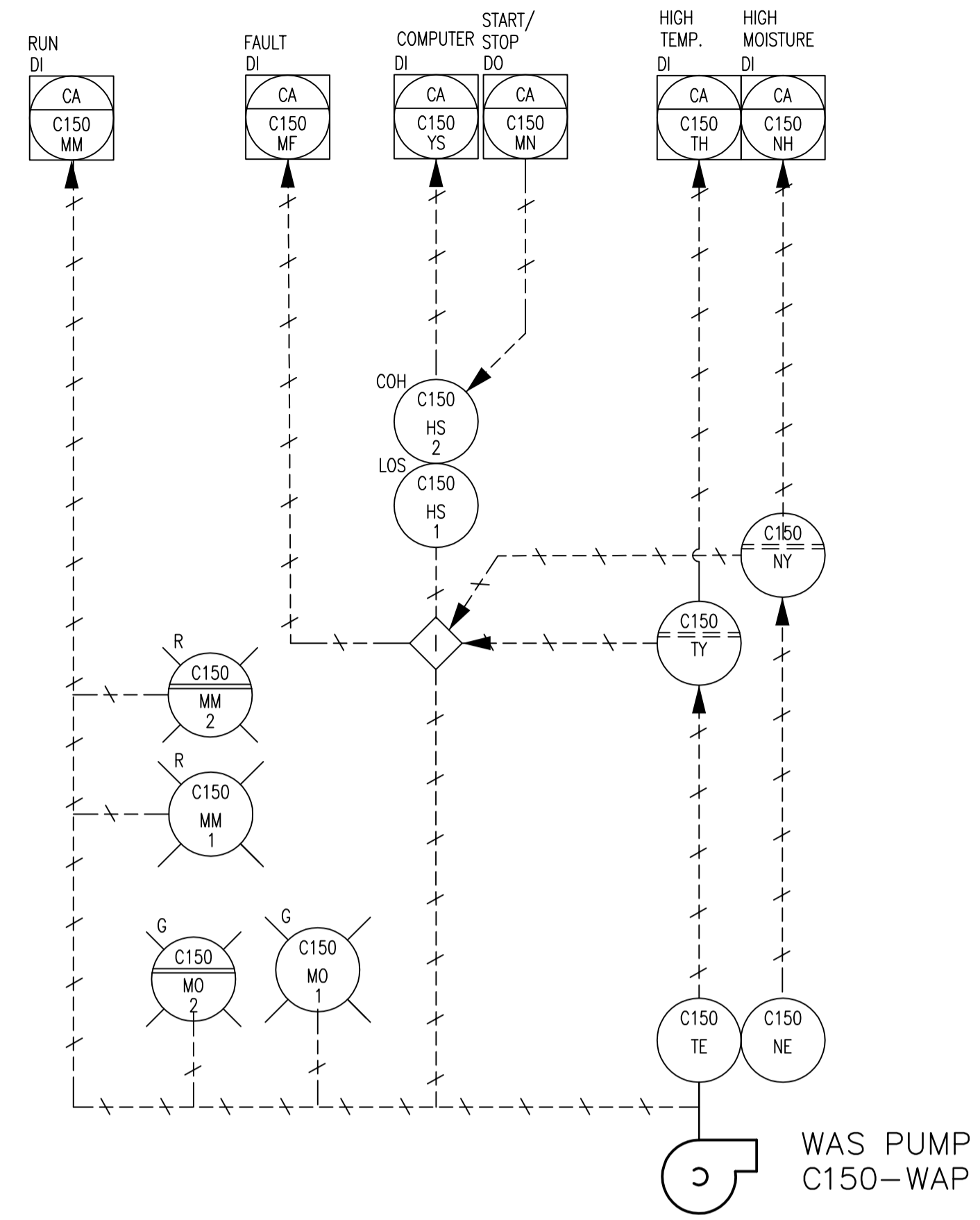
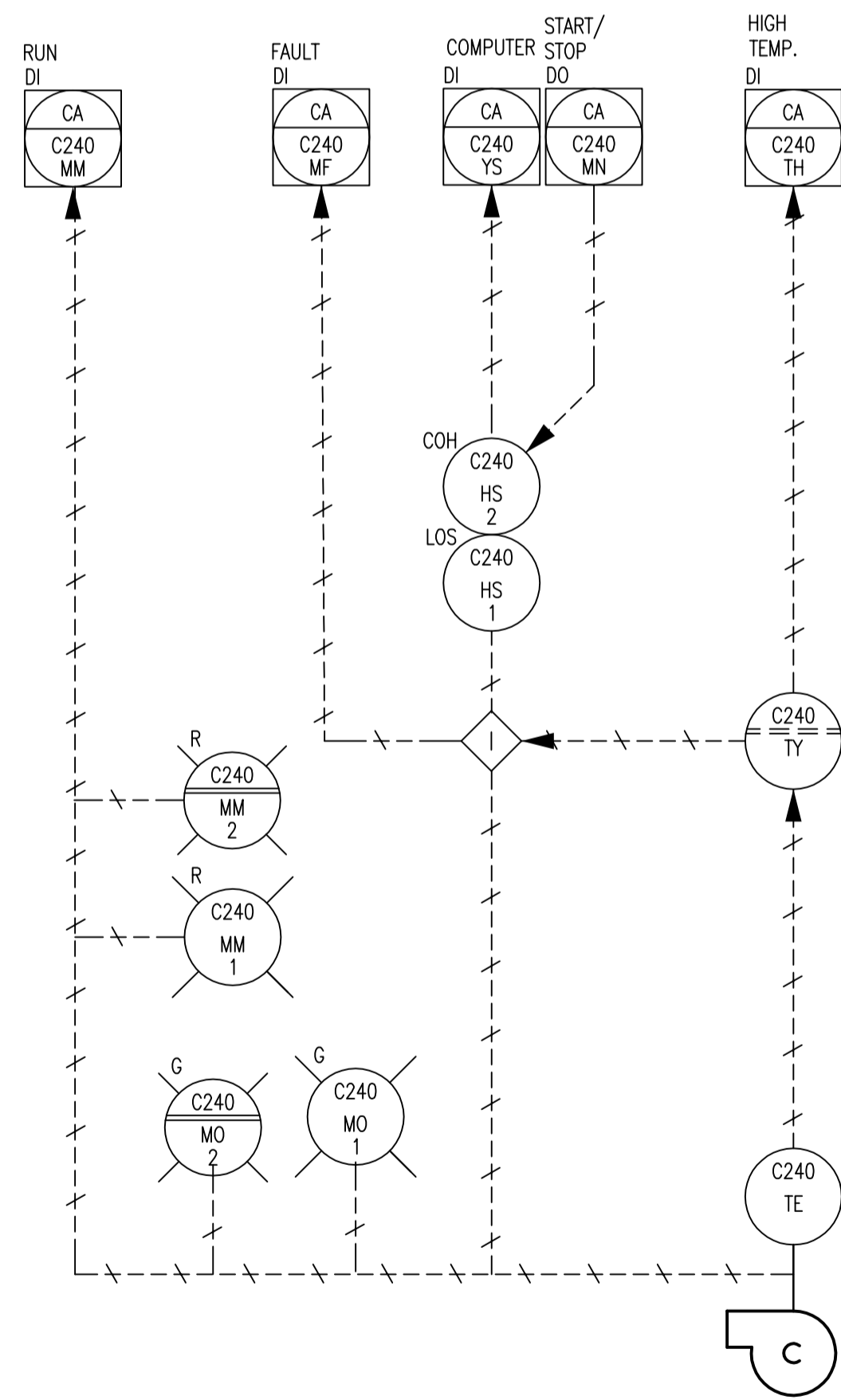


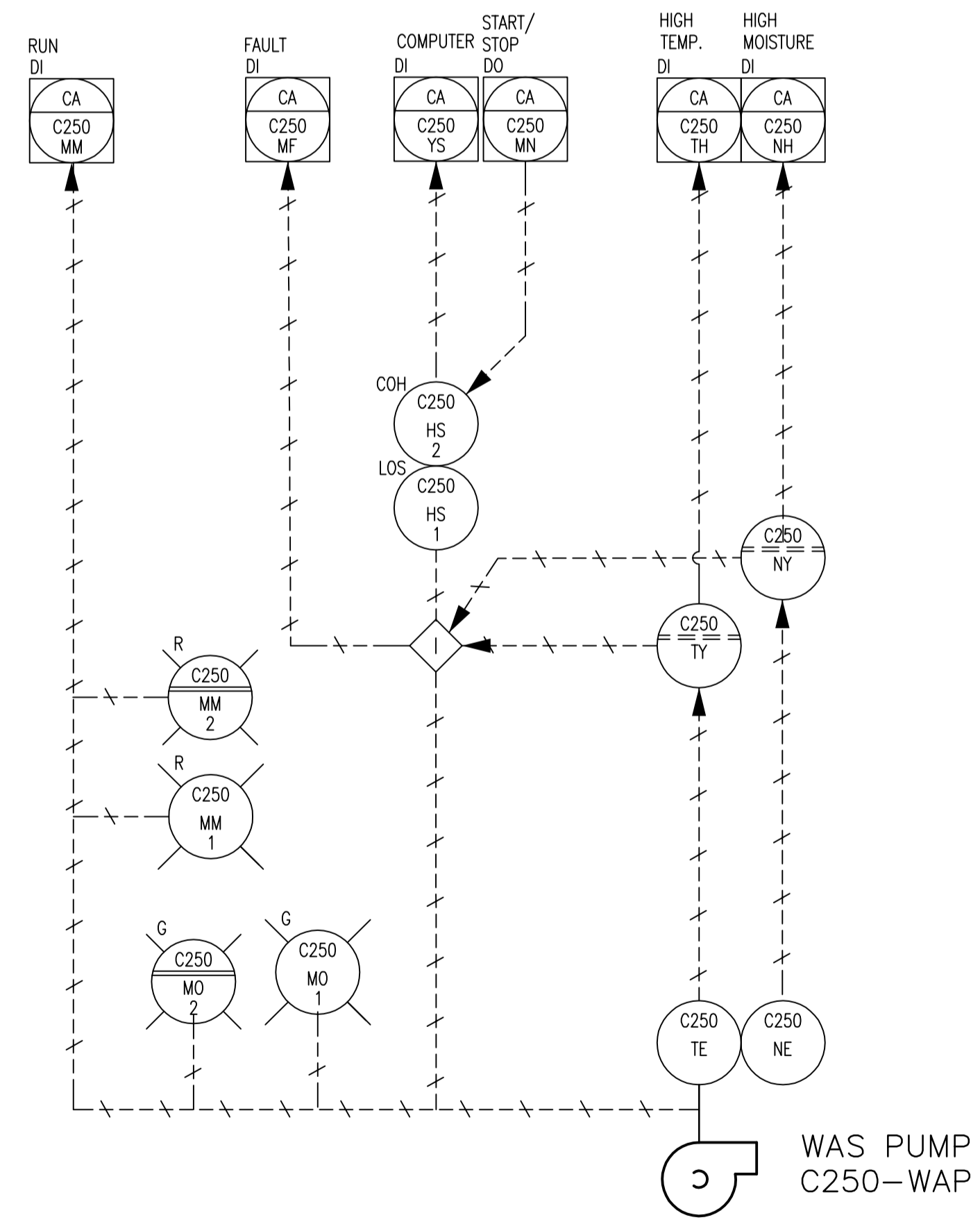
MIXED LIQUOR PUMP  
C140-P



WAS PUMP  
C150-WAP



MIXED LIQUOR PUMP  
C240-P



WAS PUMP  
C250-WAP

EQUIP. NO.: C140-P  
TYPE: SUBMERSIBLE PUMP  
CAPACITY: 14.0 m<sup>3</sup>/hr  
HEAD: 2.5 m  
POWER: 0.82 kW

EQUIP. NO.: C150-P  
TYPE: SUBMERSIBLE PUMP  
CAPACITY: 290 m<sup>3</sup>/hr  
HEAD: 21 m  
POWER: 23.9 kW

EQUIP. NO.: C240-P  
TYPE: SUBMERSIBLE PUMP  
CAPACITY: 14.0 m<sup>3</sup>/hr  
HEAD: 2.5 m  
POWER: 0.82 kW

EQUIP. NO.: C250-P  
TYPE: SUBMERSIBLE PUMP  
CAPACITY: 290 m<sup>3</sup>/hr  
HEAD: 21 m  
POWER: 23.9 kW

**APEGM**  
Certificate of Authorization  
Earth Tech Canada Inc.  
No. 730 Expiry: April 30, 2007

B.M. ELEV.			
DESIGNED BY	CD	CHECKED BY	SB/PS
DRAWN BY	SRP	APPROVED BY	JEH
SCALE:	NONE	RELEASED FOR CONSTRUCTION BY:	K. MARTENS
NO. REVISIONS		DATE	2006/01/16
		DATE	2006/05/15

**EarthTech**  
A Tyco International Ltd. Company

ENGINEER'S SEAL  
ORIGINAL SIGNED BY  
J.E. HUTCHISON  
2006/05/15  
CONSULTANT DRAWING NO.  
P6.05

**THE CITY OF WINNIPEG**  
WATER AND WASTE DEPARTMENT  
ENGINEERING DIVISION

NEWPCC CENTRATE NUTRIENT TREATMENT  
NITROGEN REMOVAL FACILITY

PROCESS  
SBR 1 & 2 - PUMPS  
PROCESS & INSTRUMENTATION DIAGRAM

CITY FILE NUMBER  
SHEET OF  
CITY DRAWING NUMBER