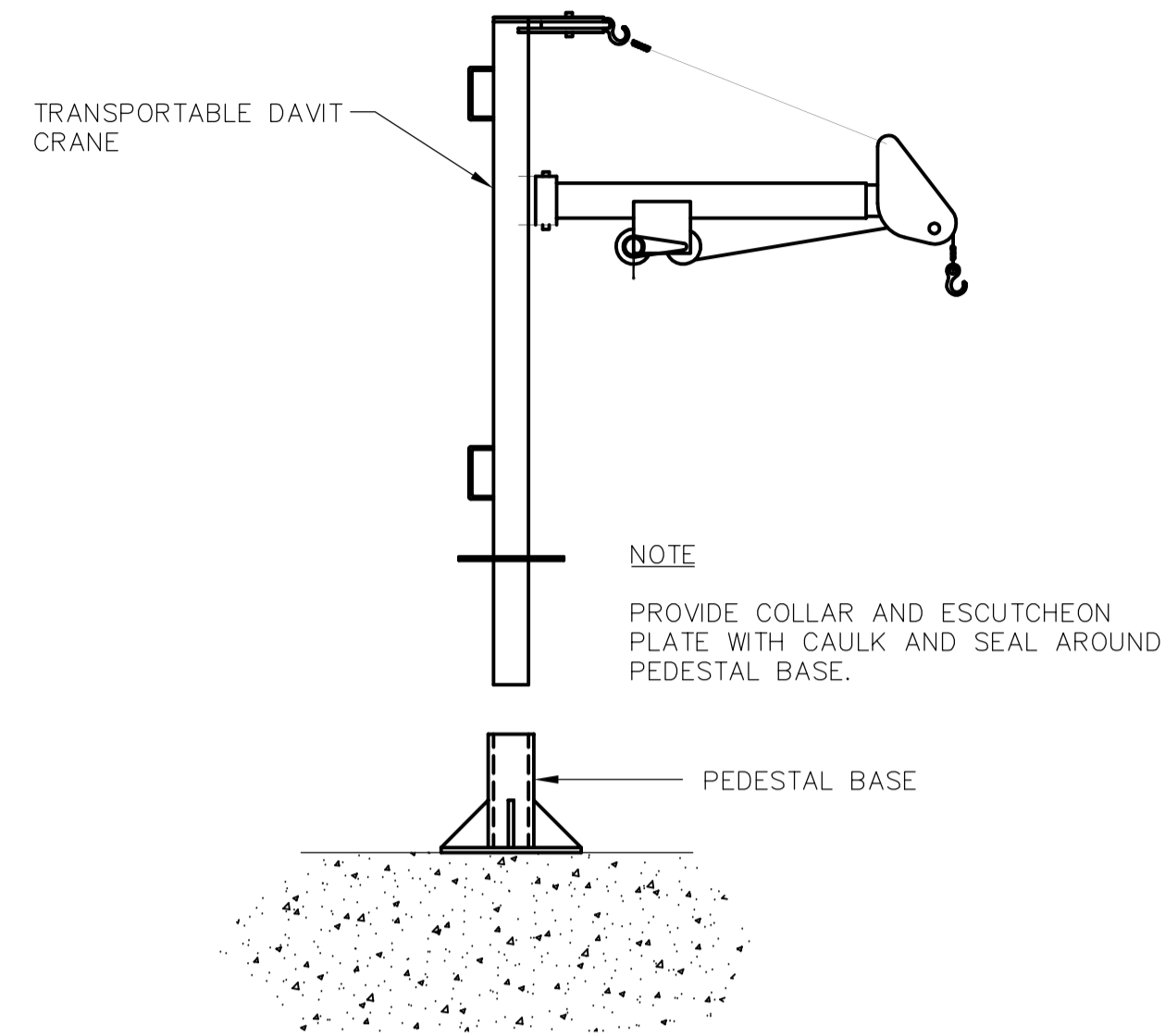
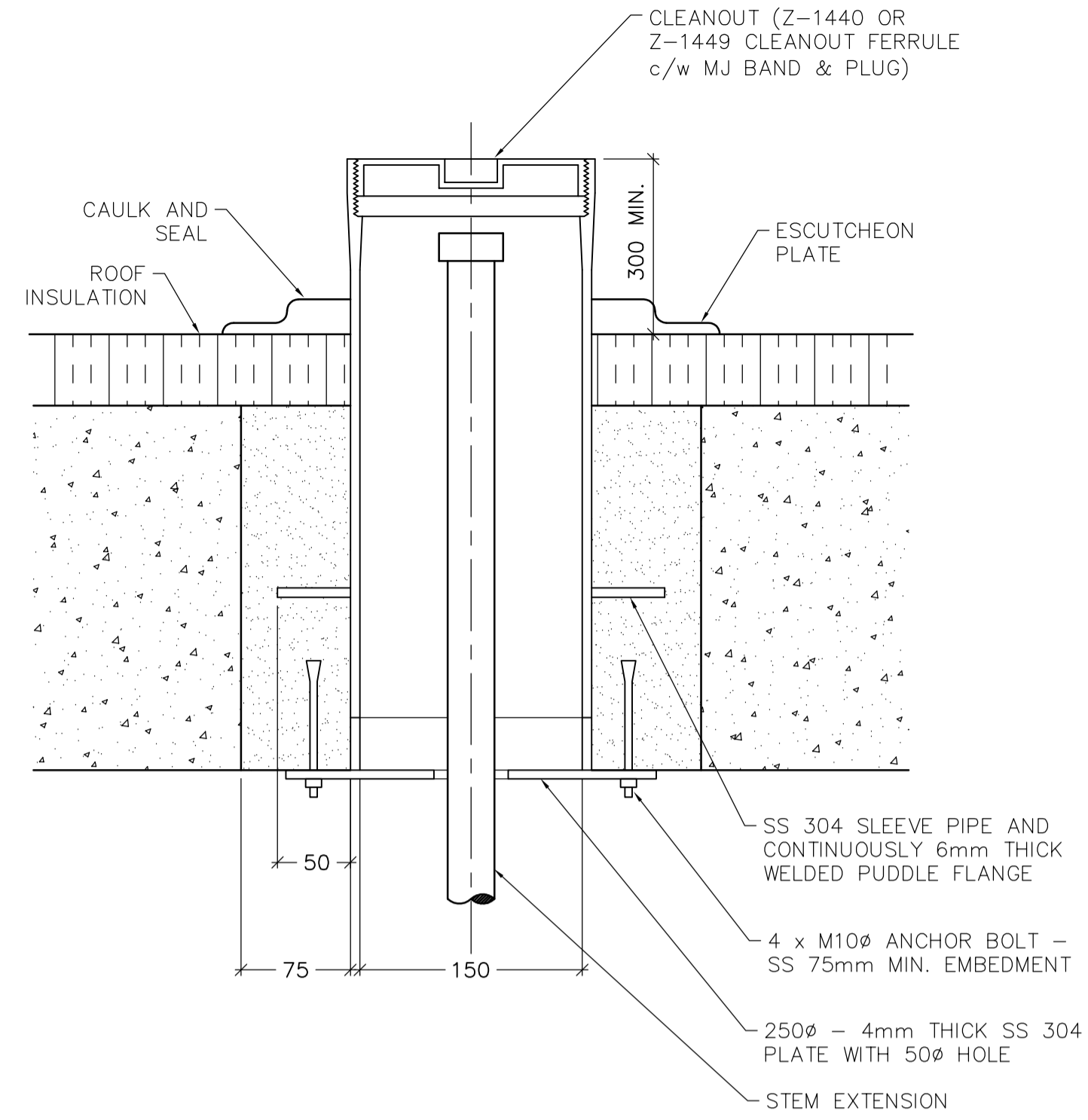


- NOTES:
1. REFER TO THE MANUFACTURER'S INSTALLATION INSTRUCTIONS IN CONJUNCTION WITH THESE INSTALLATION RECOMMENDATIONS.
 2. WHERE SPECIFIC INSTALLATION CONFLICTS ARISE THAT MIGHT PREVENT THESE INSTALLATION RECOMMENDATIONS FROM BEING COMPLIED WITH, CONSULT THE CONTRACT ADMINISTRATOR BEFORE PROCEEDING WITH THE INSTALLATION.
 3. WHERE THE DRAWINGS INDICATE DIMENSIONS THAT DIFFER FROM THESE DETAILS, THE DRAWINGS SHALL TAKE PRIORITY.

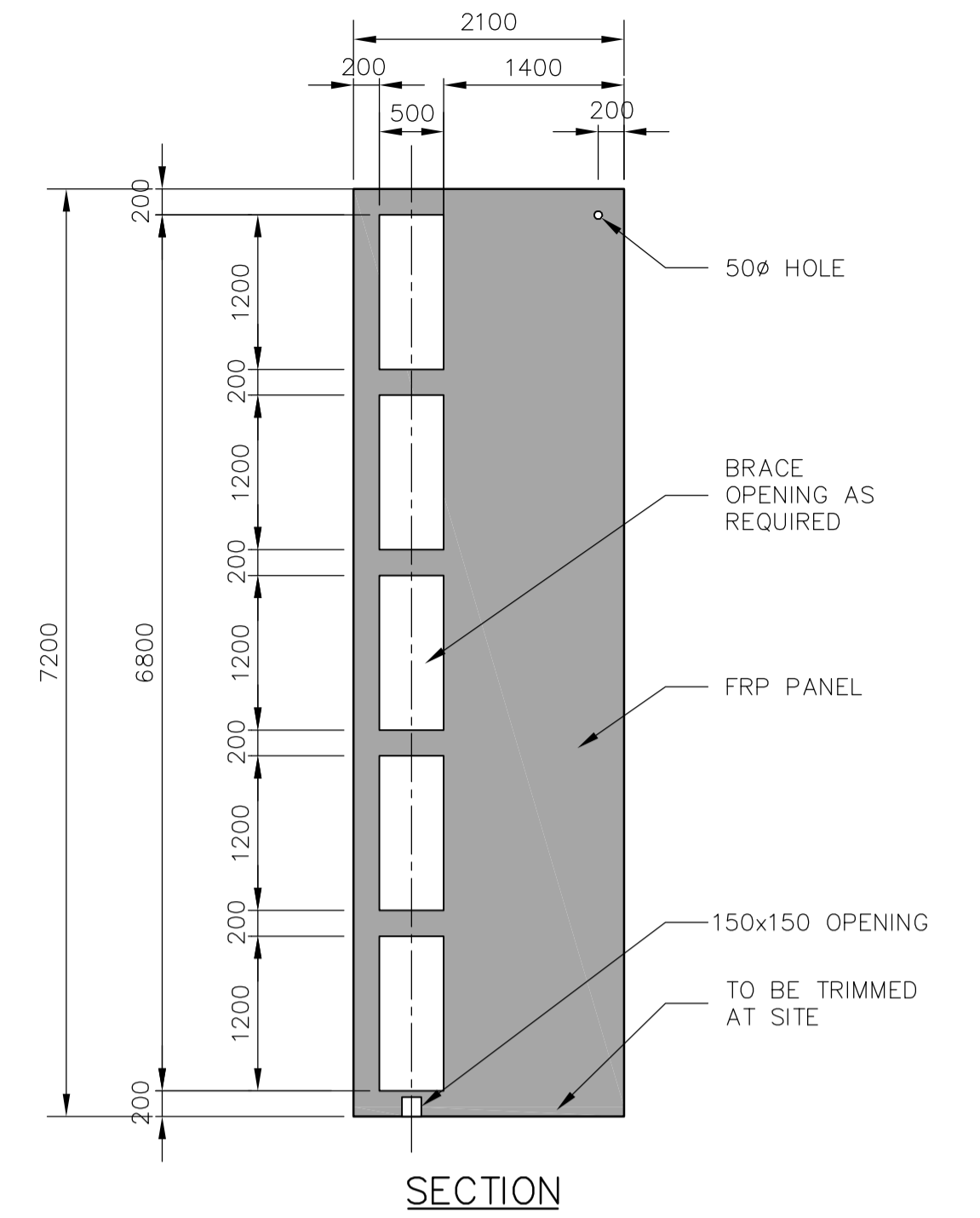
STD 707 MAGNETIC FLOWMETER INSTALLATION CONFIGURATIONS



STD 712A WINCH BASE AND SUPPORT DETAIL



STD 729 VALVE BOX



STD 732 FRP BAFFLE - DETAIL

NOTES

BAFFLE SHOWN IS ILLUSTRATIVE ONLY; SUBMIT SHOP DRAWINGS AND CALCULATIONS CONFIRMING BAFFLE IS SUITABLE FOR SERVICE CONDITIONS:

BAFFLE TO BE 7200 MM X 2100 MM (TRIM TO FIT ANOXIC SELECTOR)

BAFFLE TO HAVE OPEN AREA EQUIVALENT TO 3.00m² ALONG THE FULL HEIGHT OF THE BAFFLE.

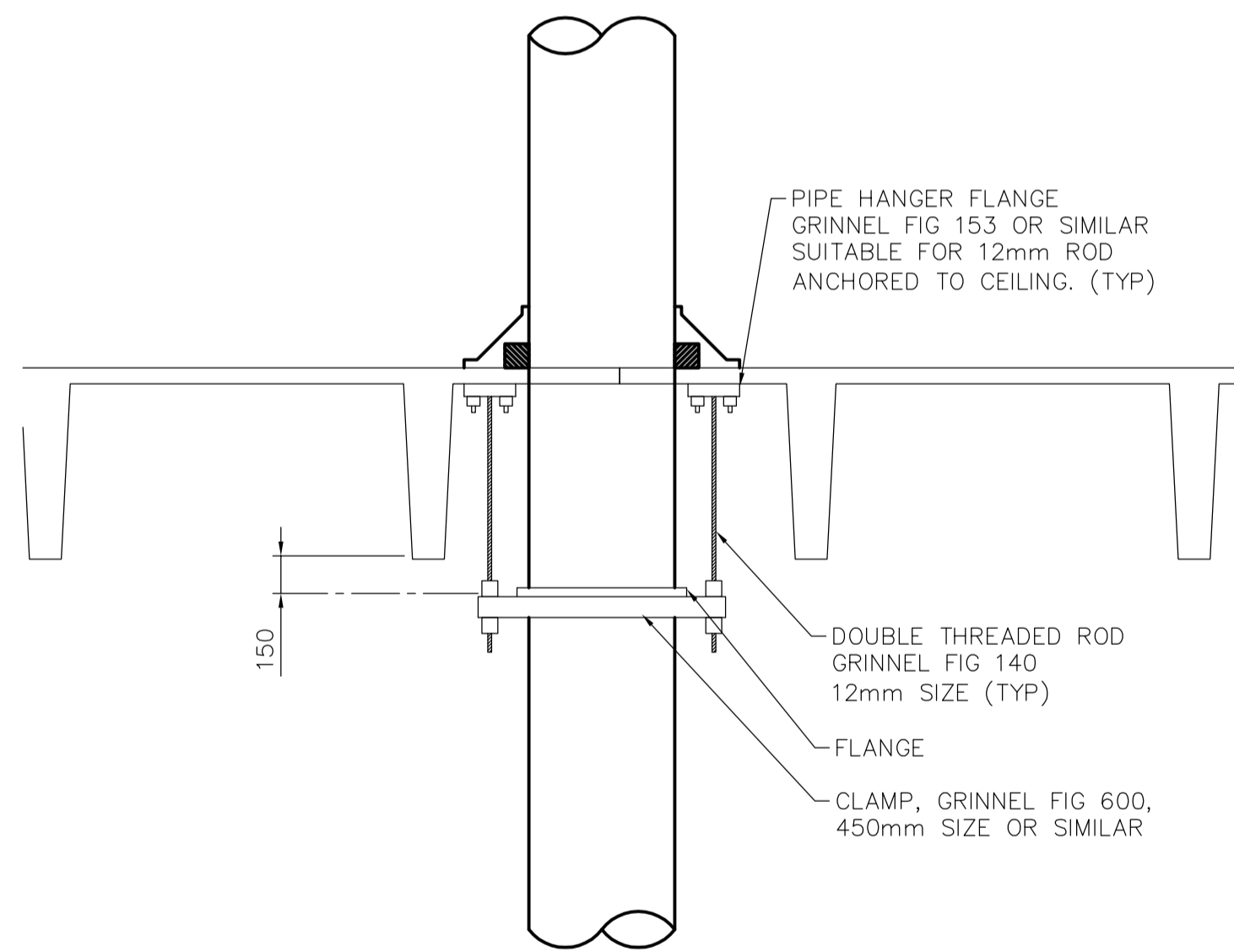
OPENINGS TO OCCUPY ONLY THE LAST ONE-THIRD OF THE BAFFLE WIDTH, THE FIRST TWO-THIRDS OF THE BAFFLE WIDTH MUST BE SOLID AS SHOWN

REINFORCE OPENINGS AS NECESSARY

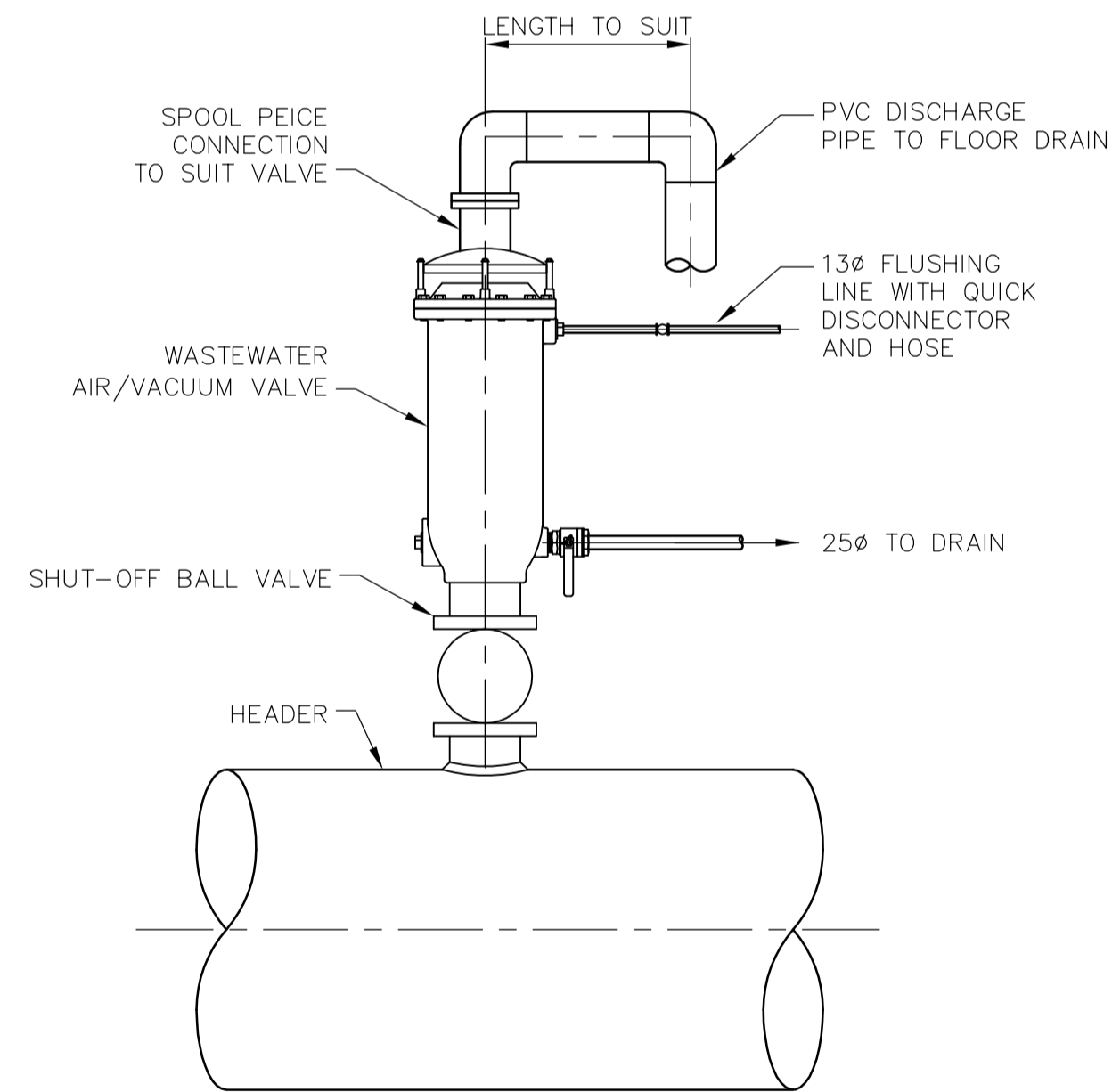
PROVIDE 150x150 OPENING AT BOTTOM OF BAFFLE TO FACILITATE TANK DRAINAGE

WATER DEPTH IN ANOXIC SELECTOR RANGES FROM 5.0m TO 7.0m

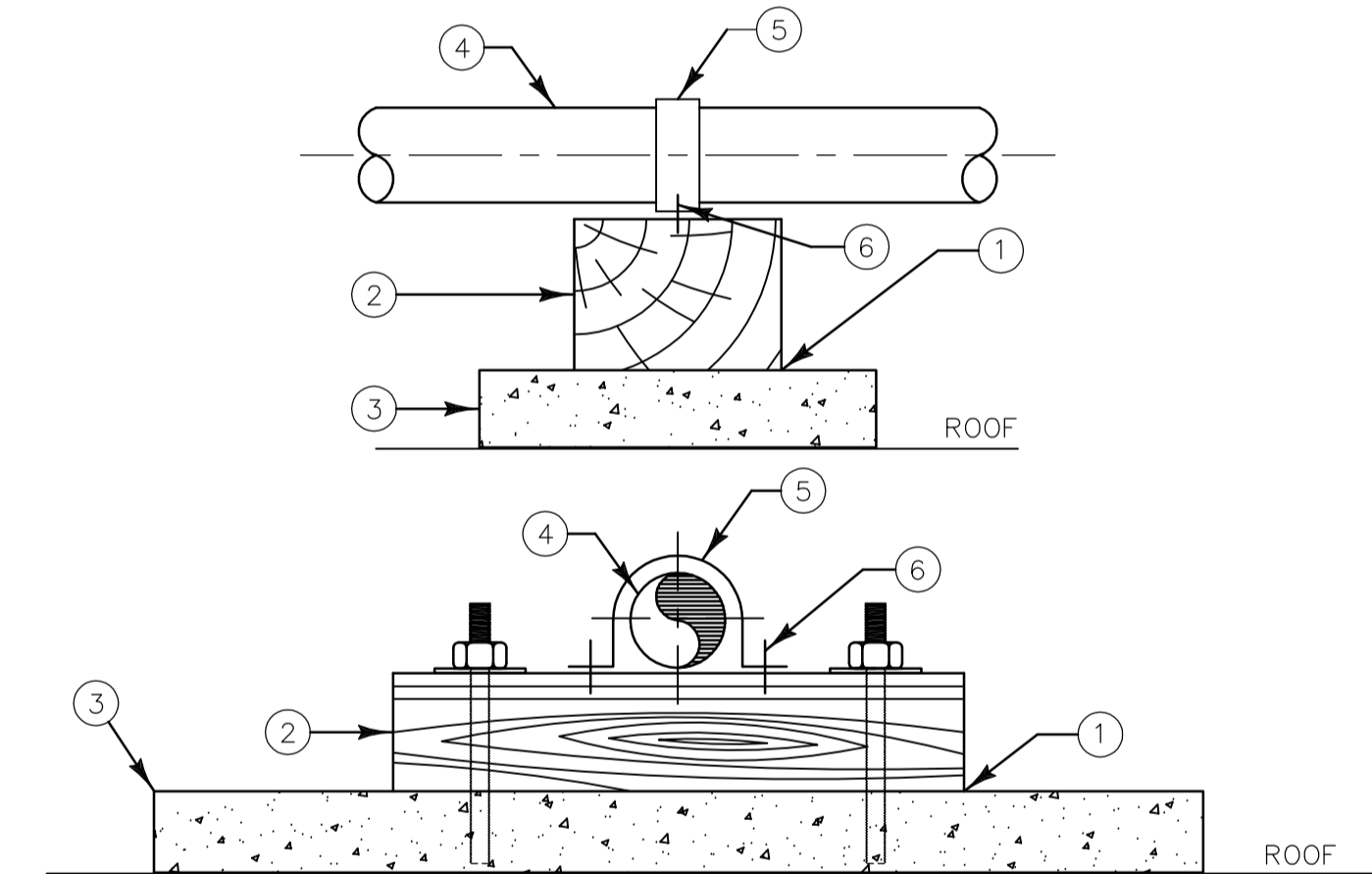
WATER LEVEL ON EACH SIDE OF THE BAFFLE WILL BE EQUAL UNDER ALL CONDITIONS. THE BAFFLES DO NOT HAVE TO WITHSTAND DIFFERENTIAL WATER LEVELS



STD 734 ROOF PENETRATION HANGER DETAIL



STD 735A AIR VALVE - DETAIL



- 1 SHIMWOOD BLOCKING AS REQUIRED TO COMPENSATE FOR ROOF SLOPE.
- 2 4"x4"x10"LONG(100mmx100mmx250mm) PRESSURE TREATED WOOD BOLTED TO CONCRETE SLAB
- 3 610mmx760mm PRECAST CONCRETE SLAB, SAME AS USED FOR PATHWAY
- 4 STEEL PIPE.
- 5 SS 304 STRAPS GRINNELL FIG.2L2 (OR EQUAL) OVERSIZE (2 SIZES) TO ALLOW FOR PIPE MOVEMENT. PAINT PIPING WITH COLOUR AS PER SPECIFICATION.
- 6 STAINLESS STEEL NO.12 2"(50mm) LONG WOOD SCREWS.

STD 736 PIPE SUPPORT DETAIL

<p>Certificate of Authorization Earth Tech Canada Inc. No. 730 Expiry: April 30, 2007</p>	<p>A Tyco International Ltd. Company</p>		ENGINEER'S SEAL ORIGINAL SIGNED BY J.E. HUTCHISON 2006/05/15		<p>THE CITY OF WINNIPEG WATER AND WASTE DEPARTMENT ENGINEERING DIVISION NEWPCC CENTRATE NUTRIENT TREATMENT NITROGEN REMOVAL FACILITY</p>	
	DESIGNED BY	LW	CHECKED BY	SB		CITY FILE NUMBER SHEET OF
	DRAWN BY	GLG	APPROVED BY	JEH		
	SCALE:	NONE	RELEASED FOR CONSTRUCTION BY:	K. MARTENS		CITY DRAWING NUMBER
NO. REVISIONS	00	ISSUED FOR TENDER	06/05/15	CONSULTANT DRAWING NO. P19.06		
DATE	2006/01/16	DATE	2006/05/23	PROCESS STANDARD DETAILS SHEET 6		