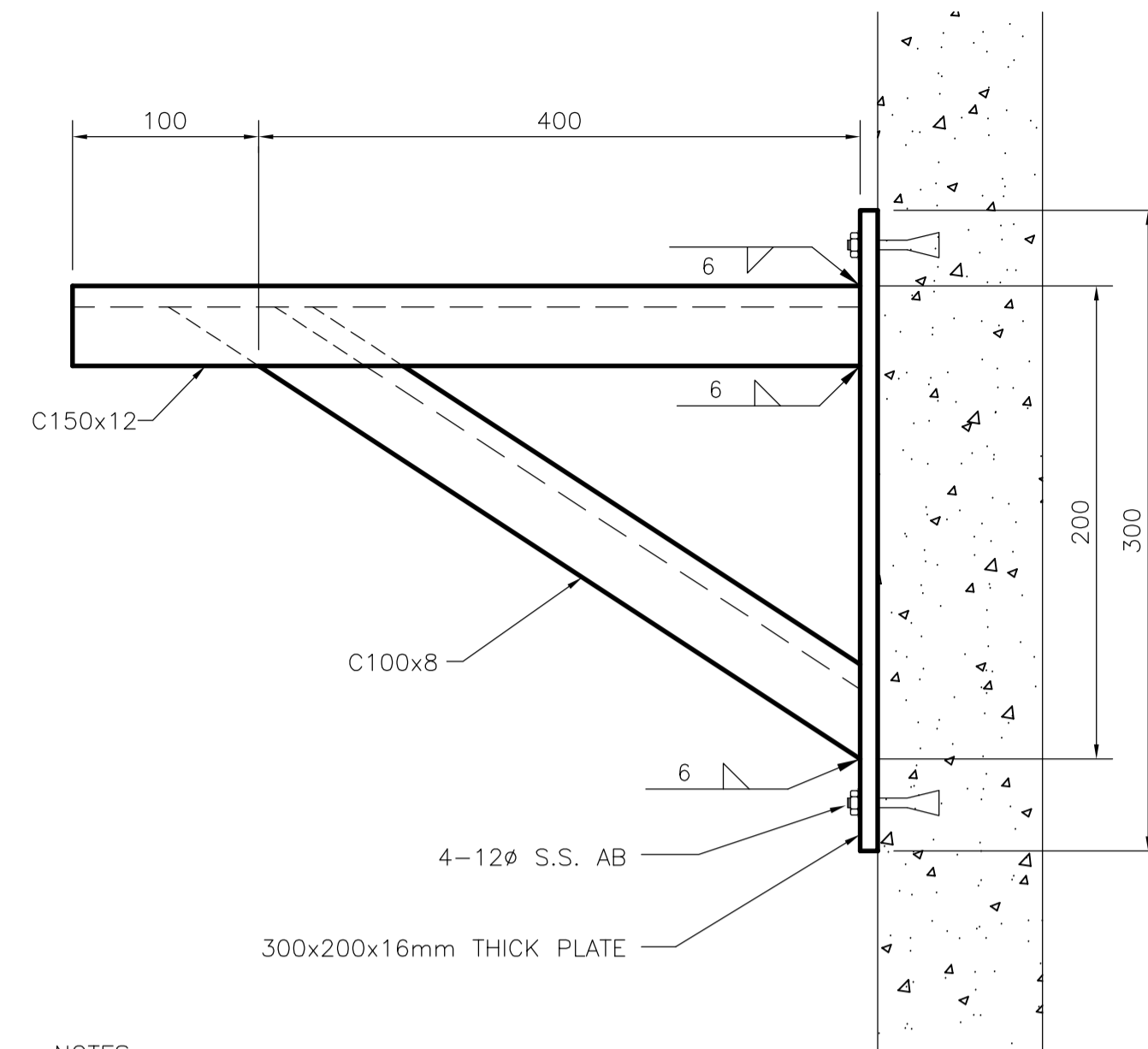


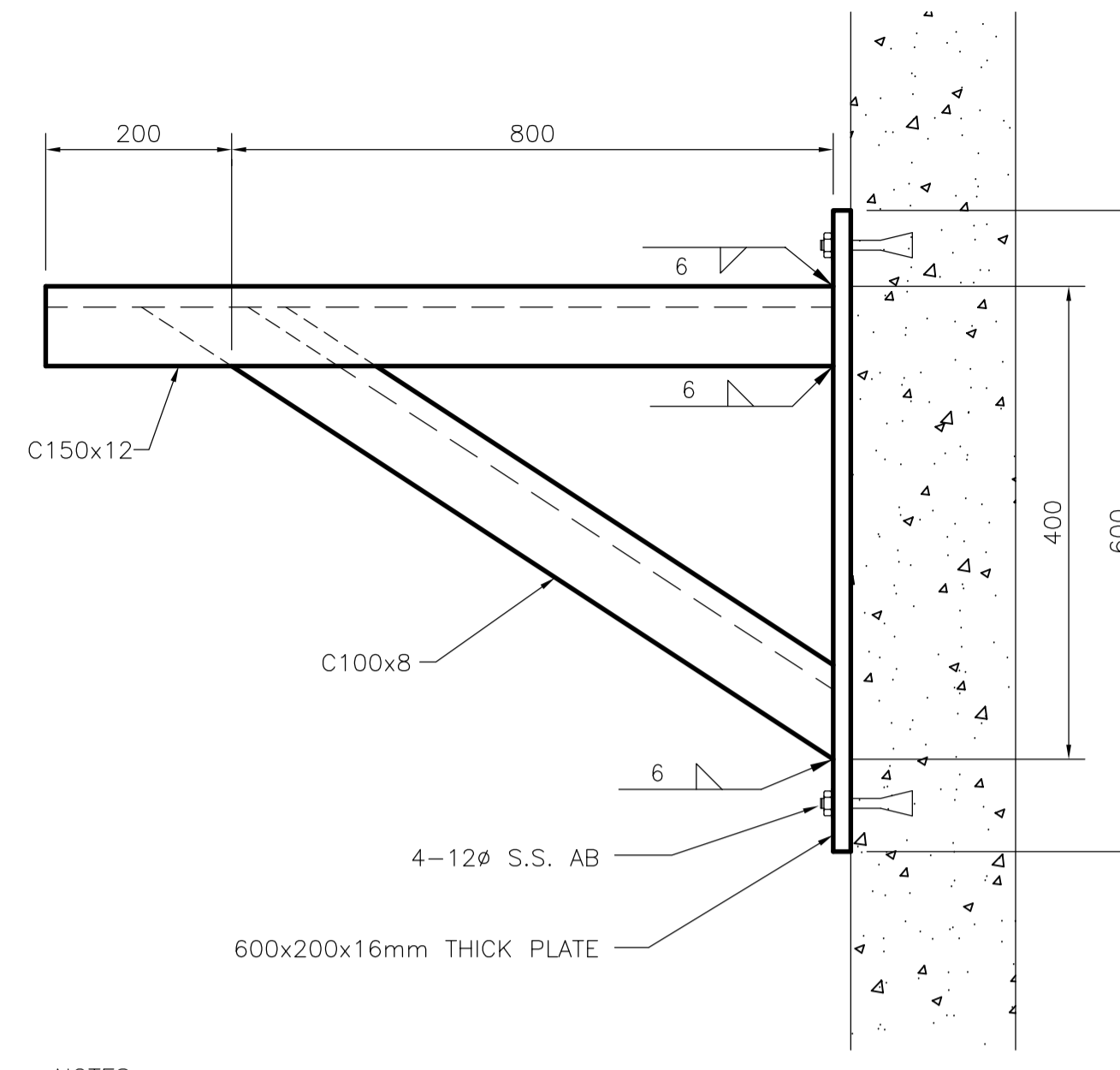
MAXIMUM LOAD OF BEAM LOADED @ CENTER (kg)	LENGTH OF SUPPORT L (mm)
440	760
740	450
1120	300

**STD 201** TYPE 1 WALL MOUNTED PIPE SUPPORT



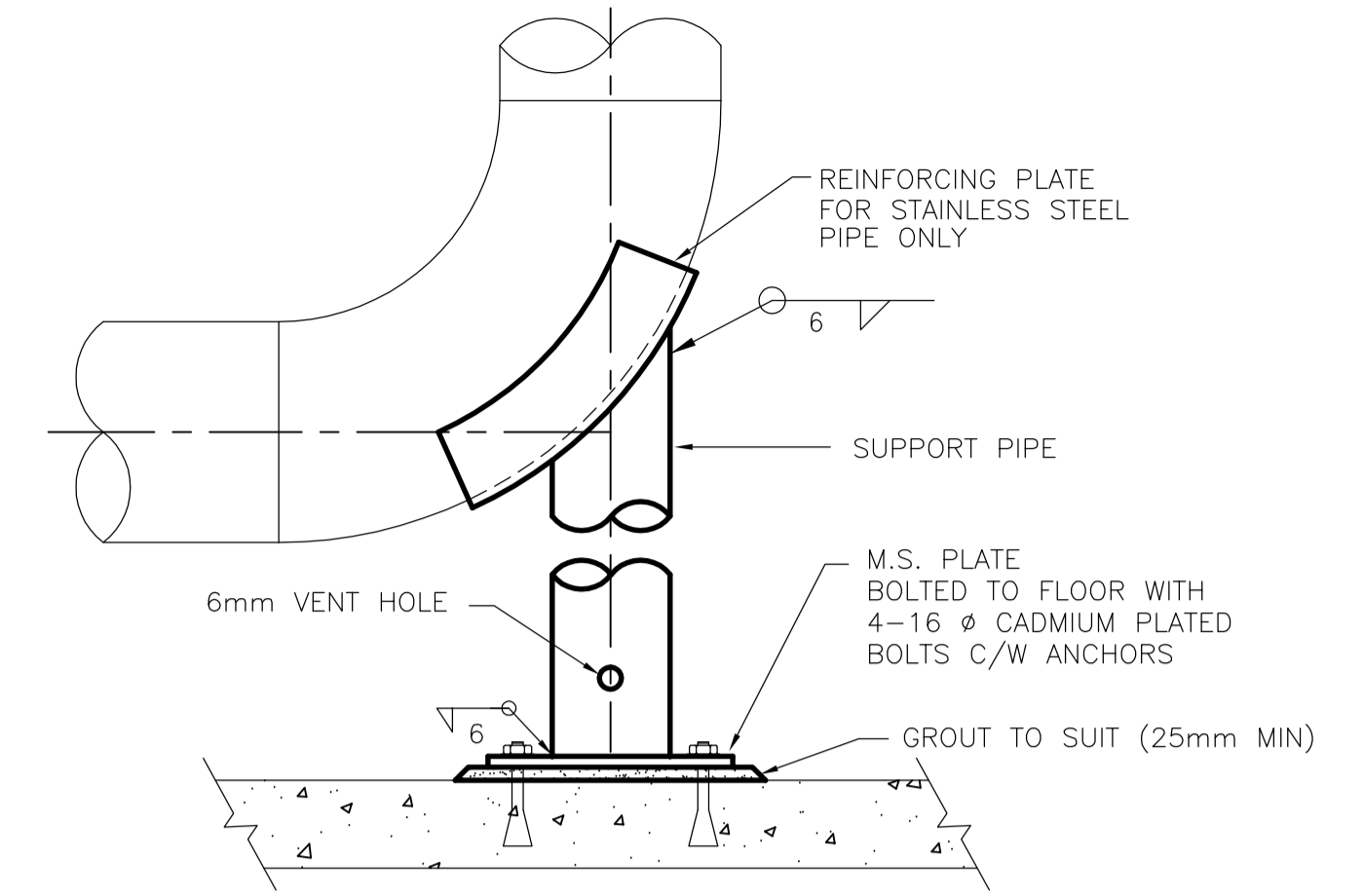
- NOTES:
1. GALVANIZE EXTERIOR STEEL SUPPORTS.
  2. PROVIDE SS 316 SUPPORTS FOR SUBMERGED APPLICATIONS.
  3. PROVIDE 10# SS 316 ROD FOR STRAP AND SS 316 ANCHORS.

**STD 202** TYPE 2 WALL MOUNTED PIPE SUPPORT



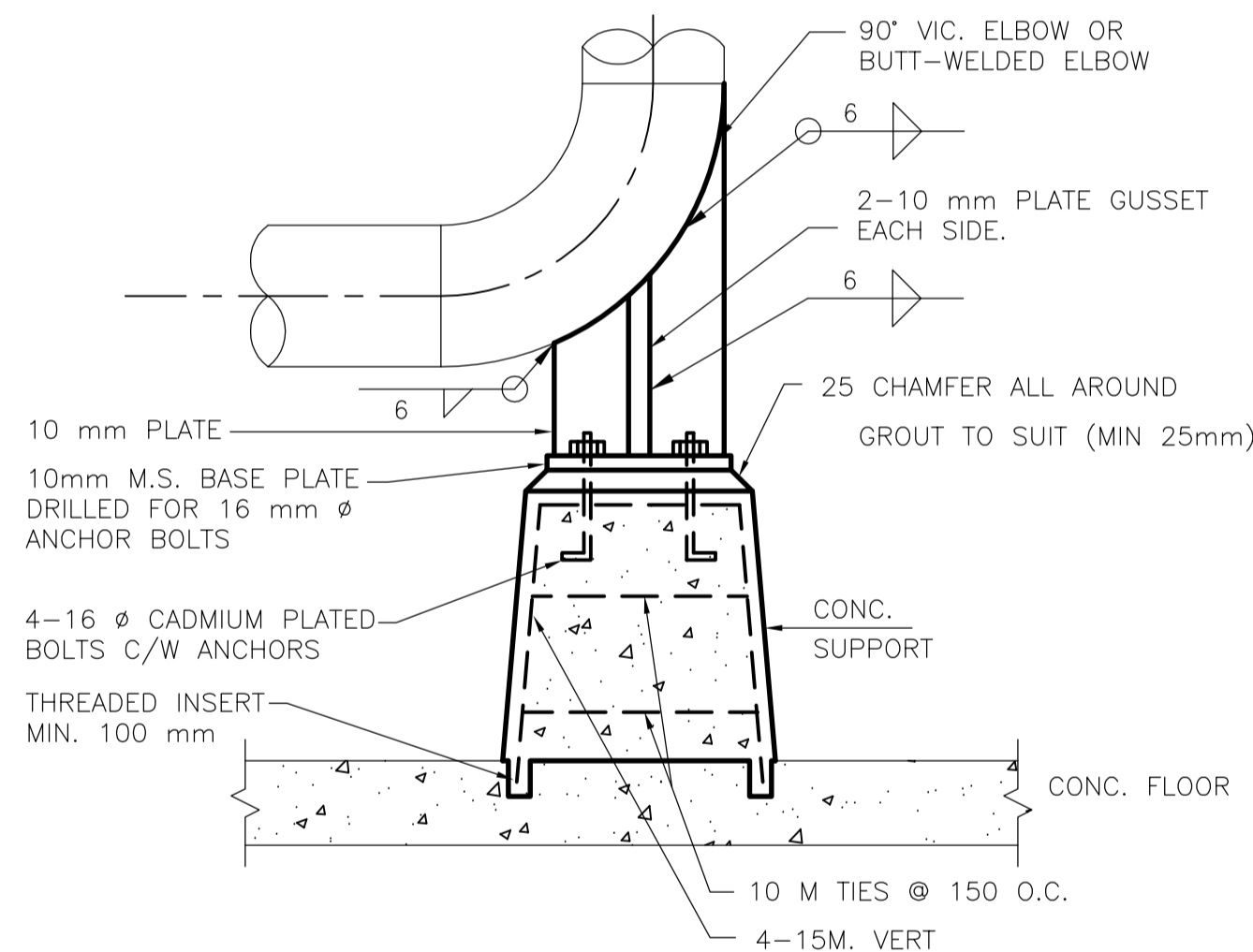
- NOTES:
1. GALVANIZE EXTERIOR STEEL SUPPORTS.
  2. PROVIDE SS 316 SUPPORTS FOR SUBMERGED APPLICATIONS.
  3. PROVIDE 10# SS 316 ROD FOR STRAP AND SS 316 ANCHORS.

**STD 203** TYPE 3 WALL MOUNTED PIPE SUPPORT



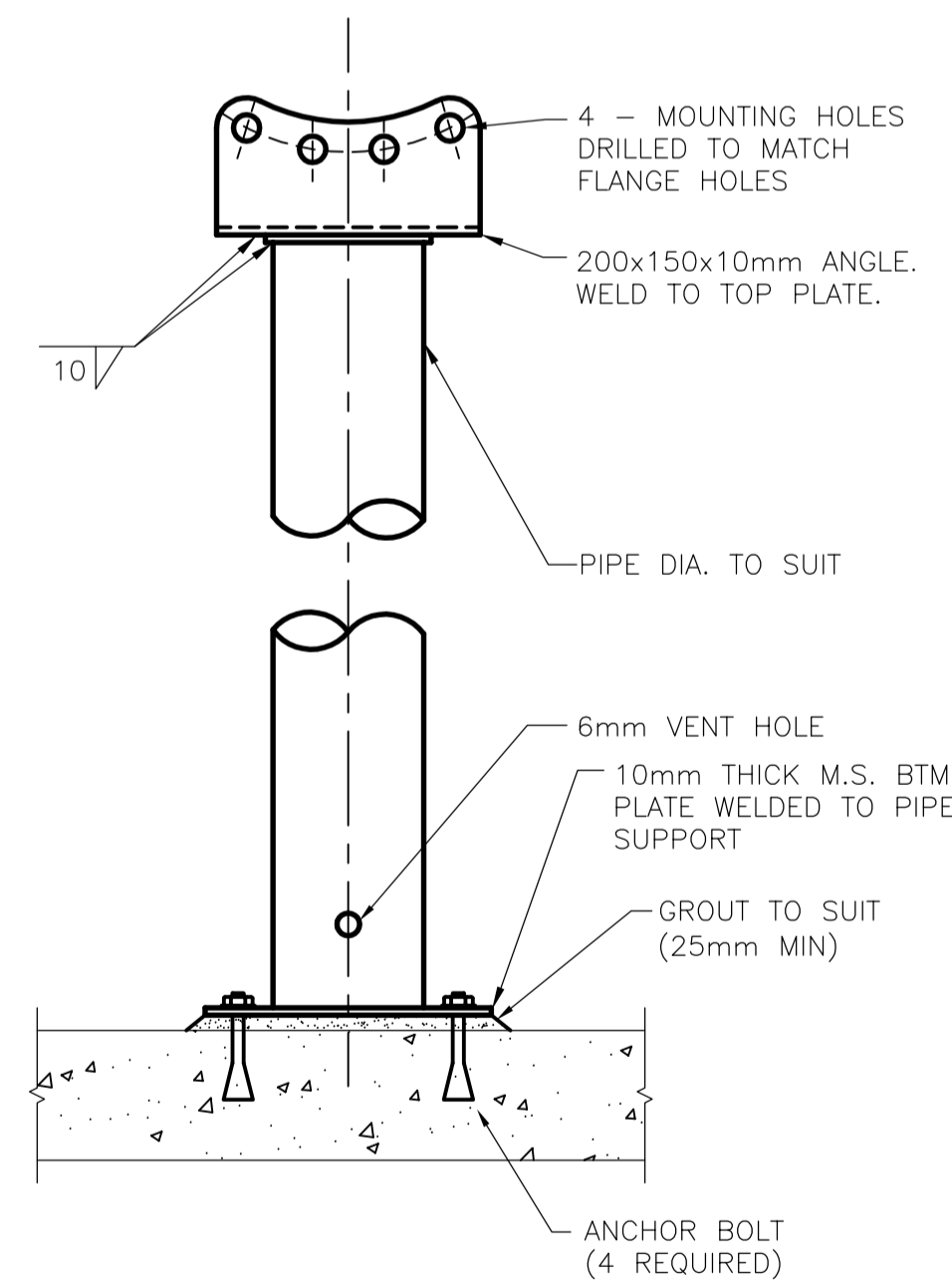
PIPE SIZE (mm)	SUPPORT PIPE (mm)	PLATE SIZE (mm)	MAXIMUM SUPPORT PIPE LENGTH (mm)
100	50 SCH 40	200 X 200 X 6	1525
150	50 SCH 40	200 X 200 X 6	1525
200	100 SCH 40	250 X 250 X 6	1625
250	100 SCH 40	250 X 250 X 6	1625
300	150 SCH 40	300 X 300 X 10	1830
350	200 SCH 40	350 X 350 X 10	1830
400	200 SCH 40	350 X 350 X 10	1830
500	200 SCH 40	350 X 350 X 10	1830
600	250 SCH 40	400 X 400 X 10	1830
750	300 SCH 40	450 X 450 X 10	1830
900	300 SCH 40	450 X 450 X 10	1830

**STD 205** TYPE 1 BASE ELBOW SUPPORT FOR STEEL PIPE

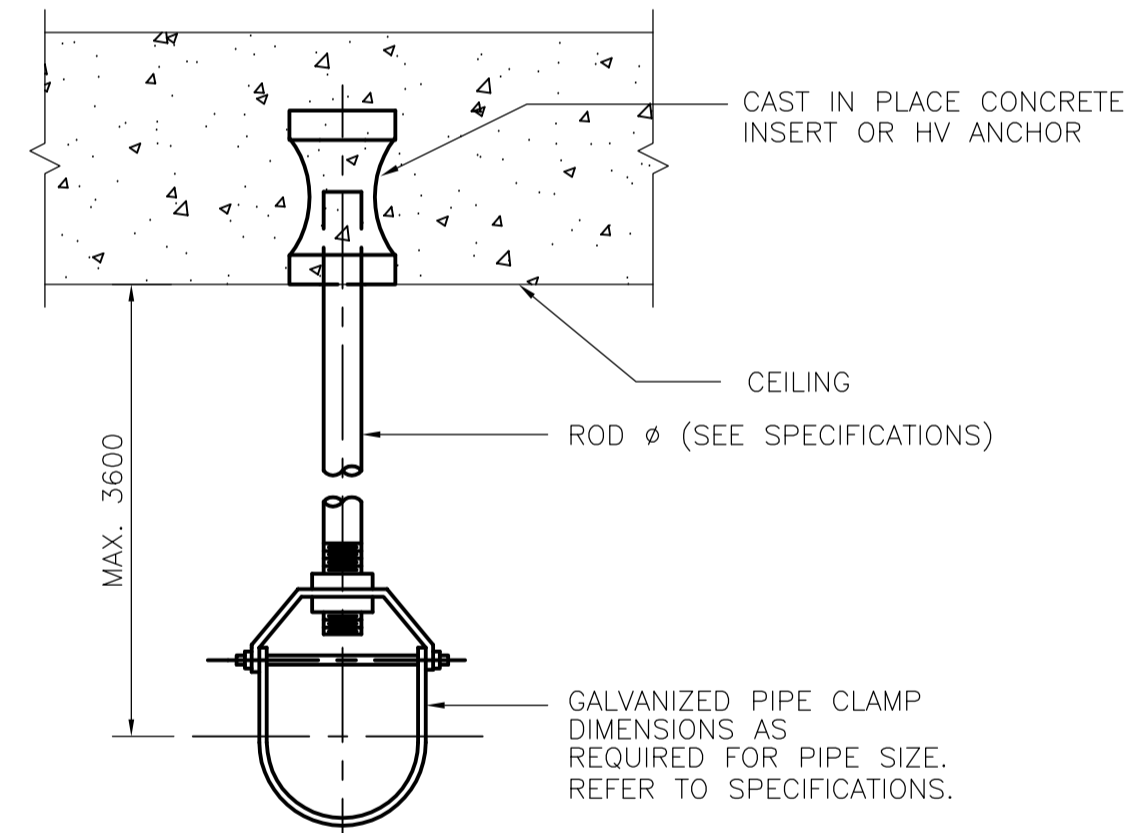


PIPE SIZE (mm)	PLATE SIZE (mm)
100	100 X 100 X 6
150	125 X 125 X 6
200	150 X 150 X 6
250	150 X 150 X 6
300	200 X 200 X 10
350	250 X 250 X 10
400	250 X 250 X 10
500	300 X 300 X 10
600	350 X 350 X 10

**STD 206** TYPE 2 BASE ELBOW SUPPORT FOR STEEL PIPE

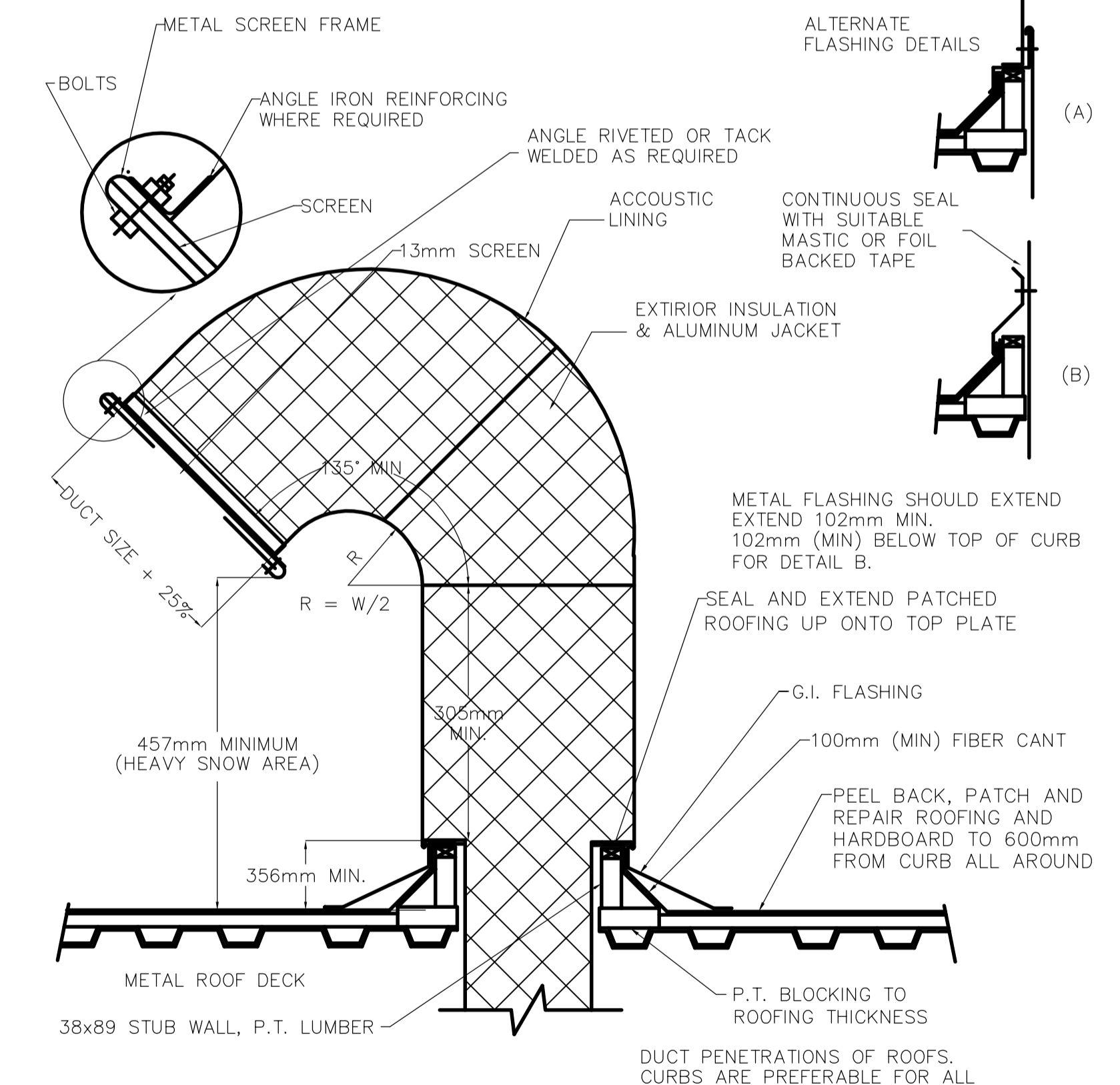


**STD 207** FLANGED PIPE SUPPORT



PIPE SIZE (mm)	ROD SIZE (mm)	MAX LOAD (kg)
25	9.4	280
50	9.4	280
75	12.0	510
100	16.0	800
150	20.0	1230
200	22.0	1710
250	25.0	2250
300	25.0	2250
350	25.0	2250
400	25.0	2250
450	25.0	2250
500	32.0	3630
600	32.0	3630

**STD 208** SINGLE PIPE HANGER



**STD 211** TYPICAL GOOSENECK ROOF PENETRATION DETAIL

<p>Certificate of Authorization Earth Tech Canada Inc. No. 730 Expiry: April 30, 2007</p>	B.M. ELEV.	<p>A Tyco International Ltd. Company</p>	ENGINEER'S SEAL	<p>THE CITY OF WINNIPEG WATER AND WASTE DEPARTMENT ENGINEERING DIVISION</p>		
			DESIGNED BY: LW		CHECKED BY: SB	ORIGINAL SIGNED BY: J.E. HUTCHISON
			DRAWN BY: GLG		APPROVED BY: JEH	2006/05/15
			SCALE: NONE		RELEASED FOR CONSTRUCTION BY: K. MARTENS	CONSULTANT DRAWING NO. P19.02
	00 ISSUED FOR TENDER 06/05/15 GLG	DATE: 2006/01/16	DATE: 2006/05/23	<p>NEWPCC CENTRATE NUTRIENT TREATMENT NITROGEN REMOVAL FACILITY</p> <p>PROCESS STANDARD DETAILS SHEET 2</p>		