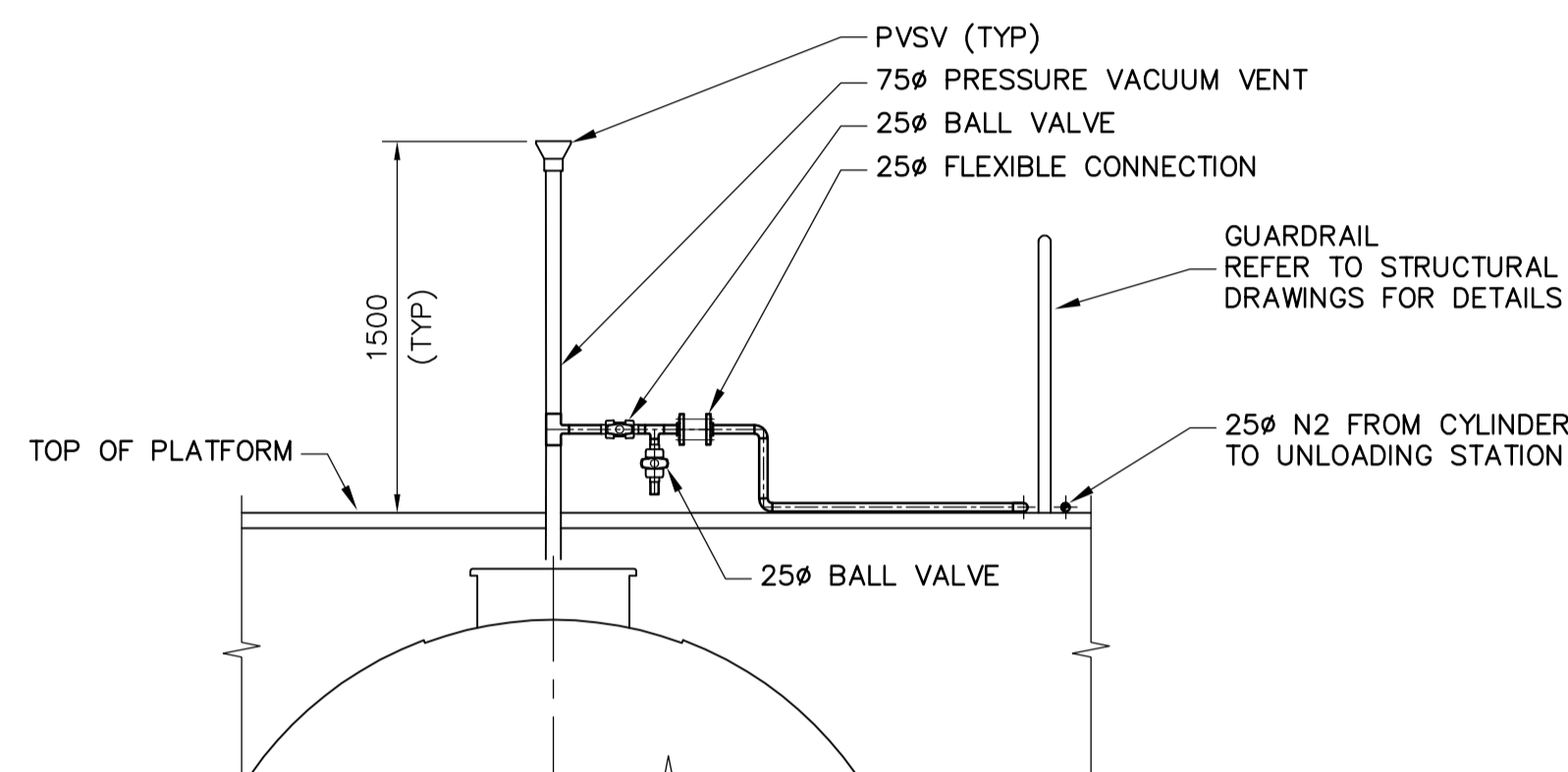
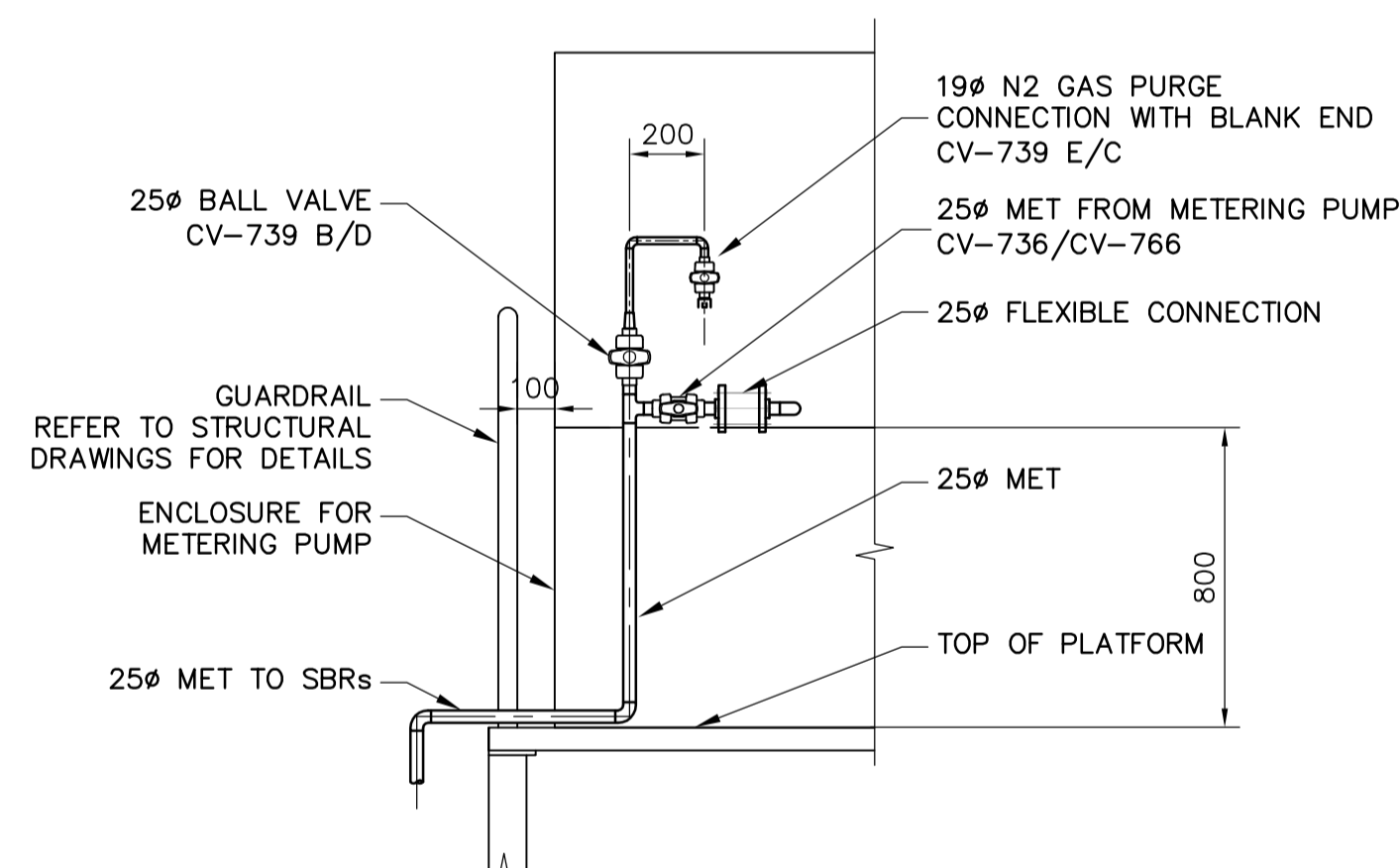


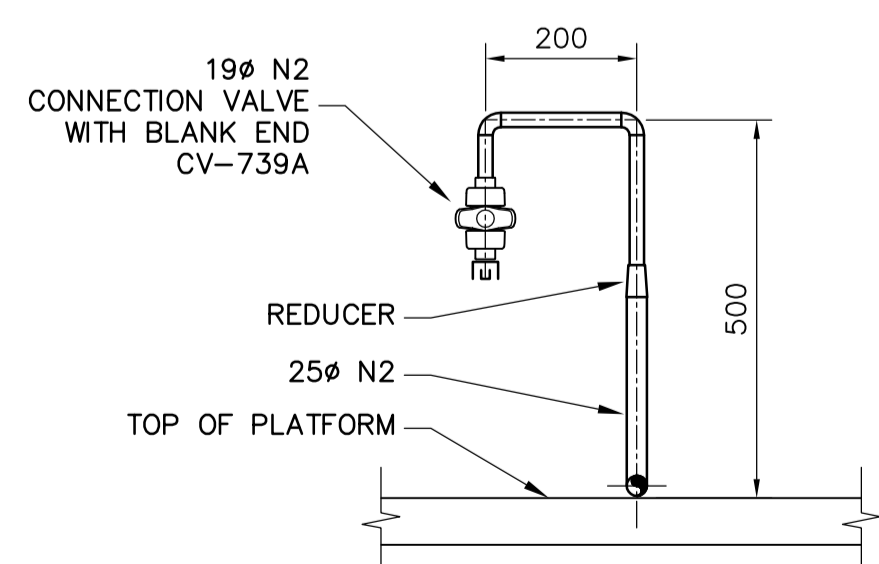
1 DETAIL
SCALE 1:10



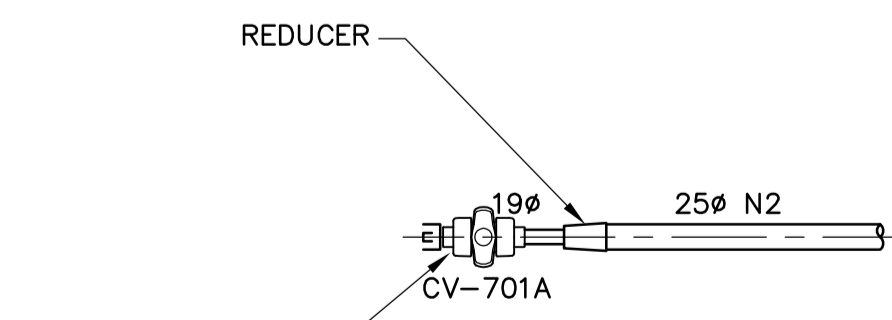
2 DETAIL
SCALE 1:30



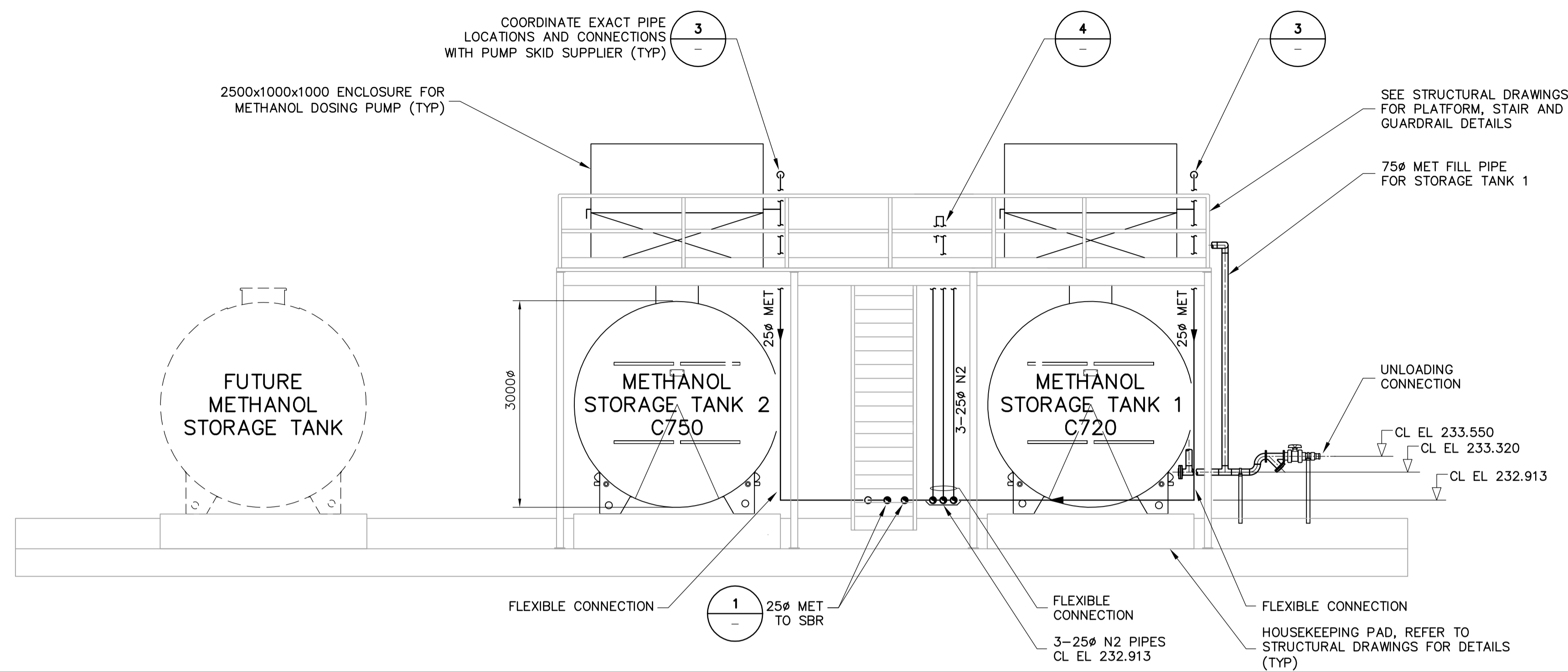
3 DETAIL
SCALE 1:20



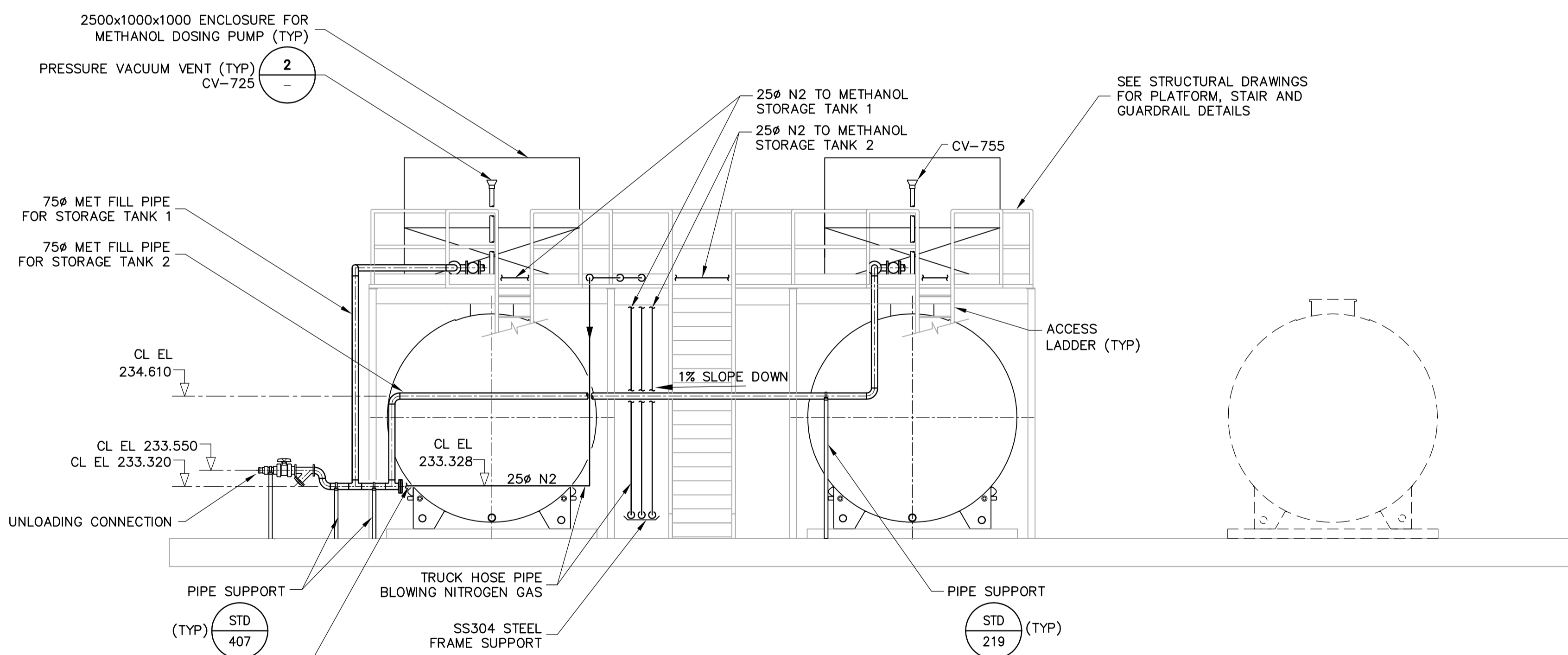
4 DETAIL
SCALE 1:10



5 DETAIL
SCALE 1:10



A SECTION
SCALE 1:50



B SECTION
SCALE 1:50

- NOTES:
- ALL MANUAL VALVES ON METHANOL AND NITROGEN LINES TO BE LOCKABLE.
 - CV-701A, CV-739A, CV-739C AND CV-739E ARE DIXON BAYCO IN-LINE BALL VALVES WITH "AIR KING" BLANK ENDS FOR AIR HOSE PIPE CONNECTION.

<p>Certificate of Authorization Earth Tech Canada Inc. No. 730 Expiry: April 30, 2007</p>	B.M. ELEV.	<p>A Tyco International Ltd. Company</p>	ENGINEER'S SEAL	<p>THE CITY OF WINNIPEG WATER AND WASTE DEPARTMENT ENGINEERING DIVISION</p>	
	DESIGNED BY: EM		CHECKED BY: SB		ORIGINAL SIGNED BY: Q. MENG
	DRAWN BY: SRP		APPROVED BY: JEH		2006/05/15
	SCALE: AS NOTED		RELEASED FOR CONSTRUCTION BY: K. MARTENS		CONSULTANT DRAWING NO. P17.02
NO. REVISIONS	DATE	BY	DATE	CITY FILE NUMBER	
00	ISSUED FOR TENDER	06/05/15	GLG	NEWPCC CENTRATE NUTRIENT TREATMENT NITROGEN REMOVAL FACILITY	
				SHEET OF	
				CITY DRAWING NUMBER	
				PROCESS METHANOL SYSTEM SECTIONS & DETAILS	