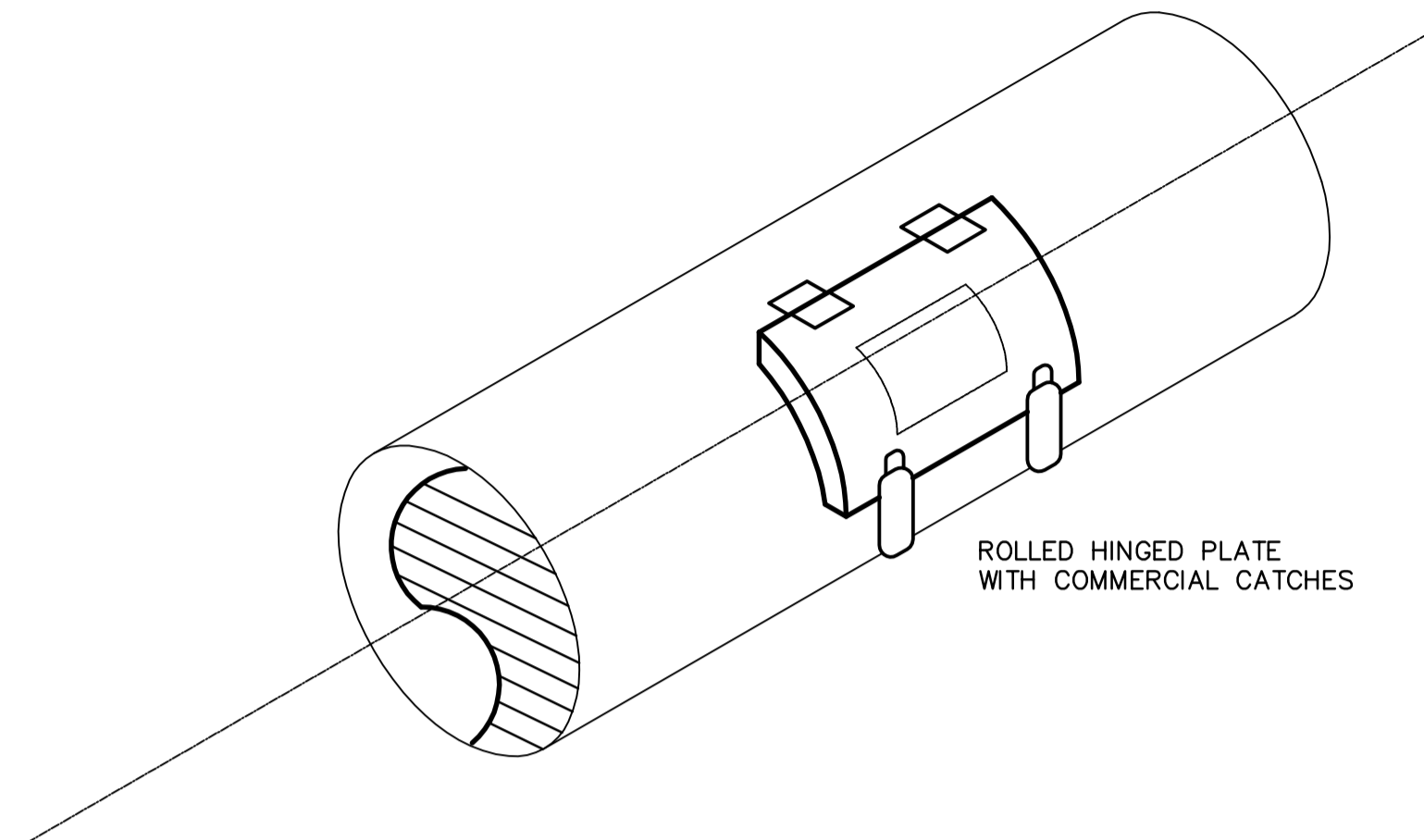
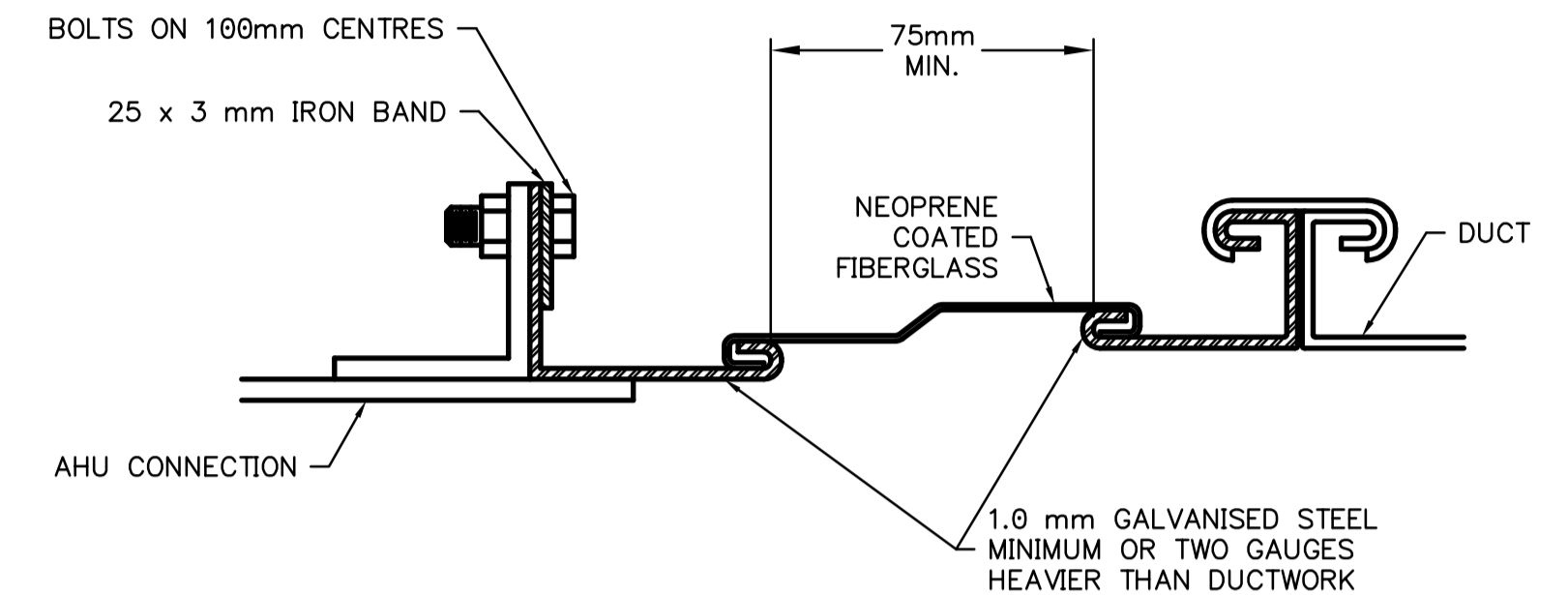


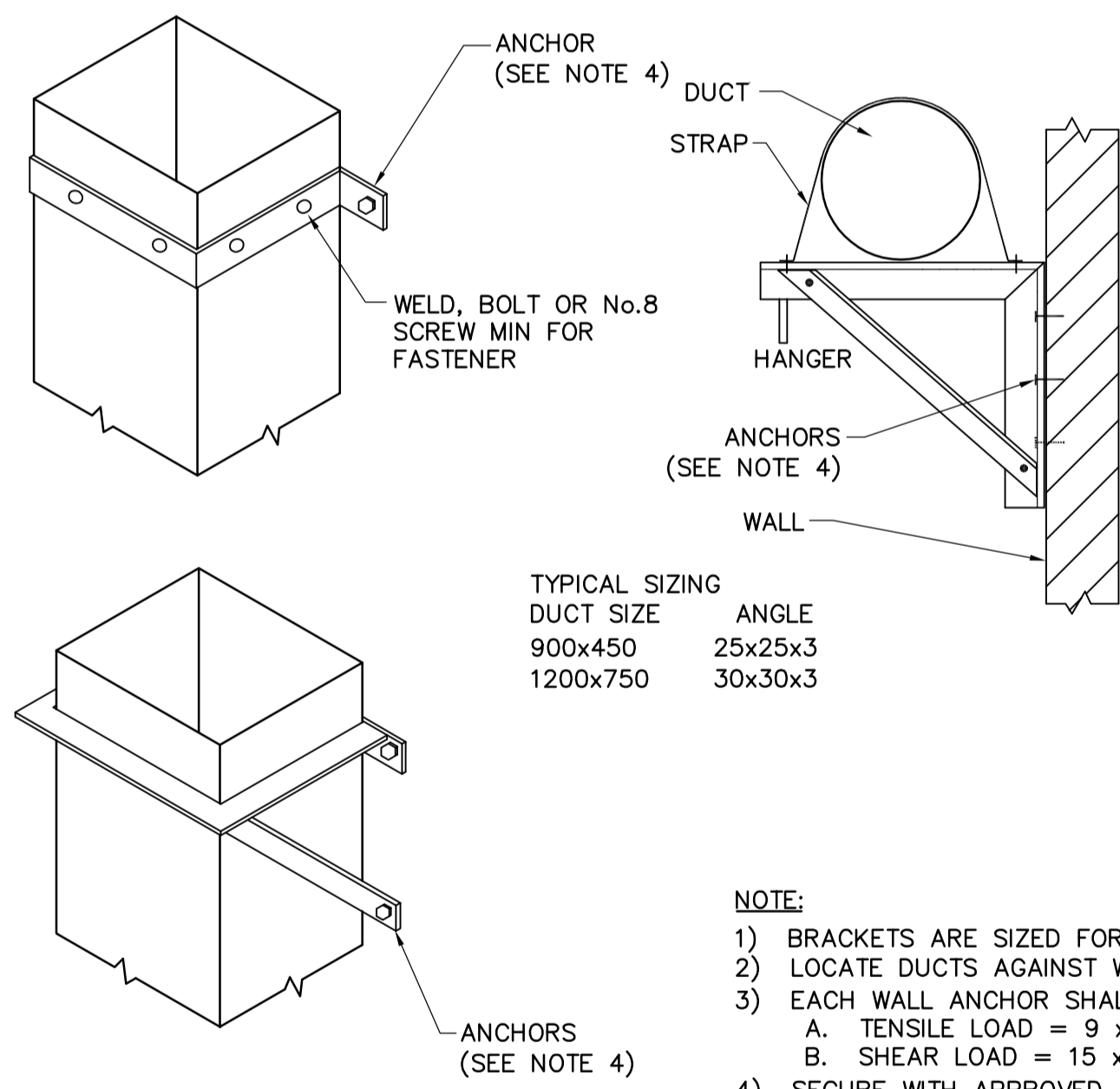
1 ROOF VENT PENETRATION DETAIL
SCALE N.T.S.



2 ACCESS DOOR - ROUND DUCT
SCALE N.T.S.

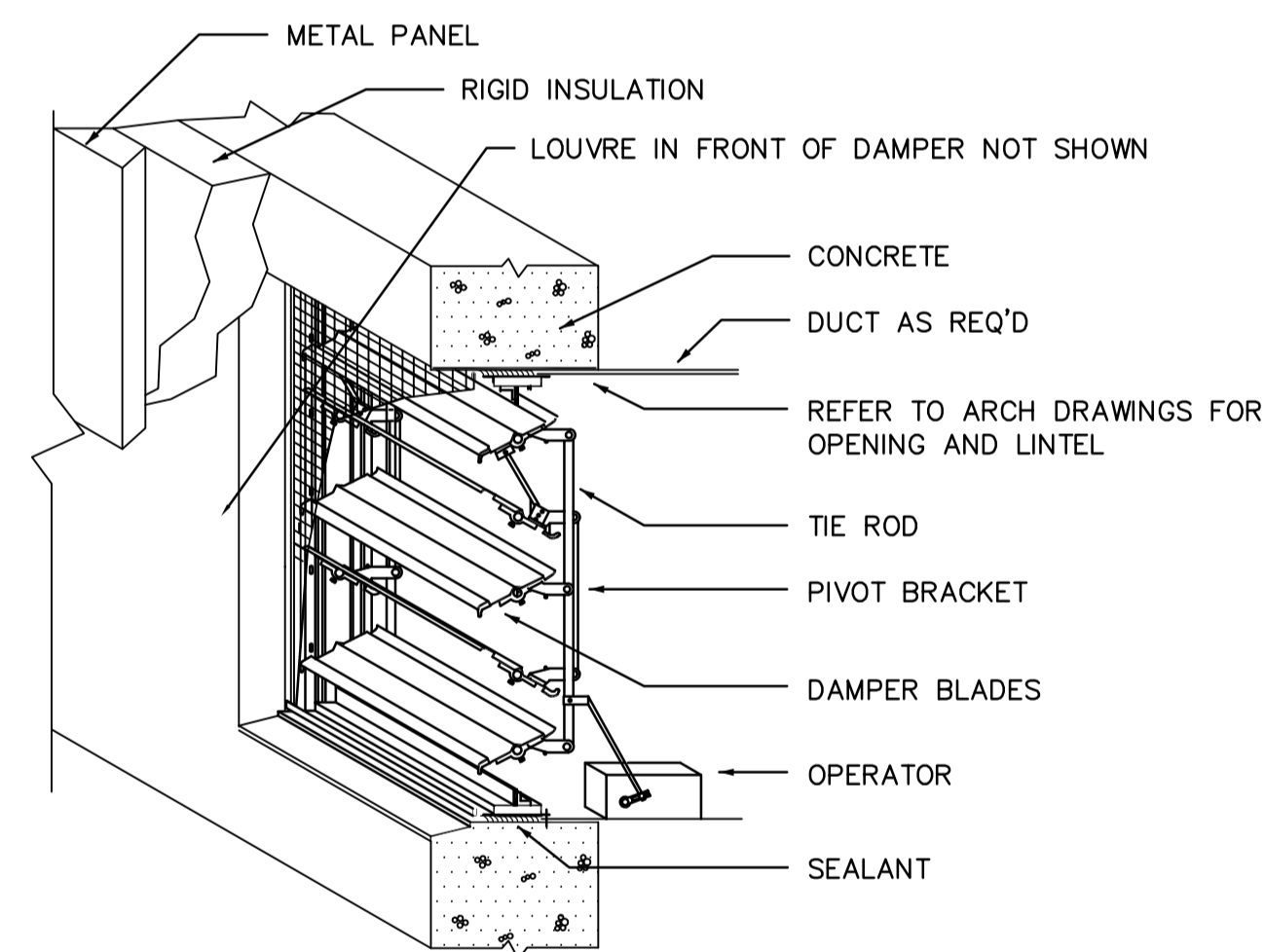


3 FLEXIBLE DUCT FAN CONNECTION DETAIL
SCALE N.T.S.



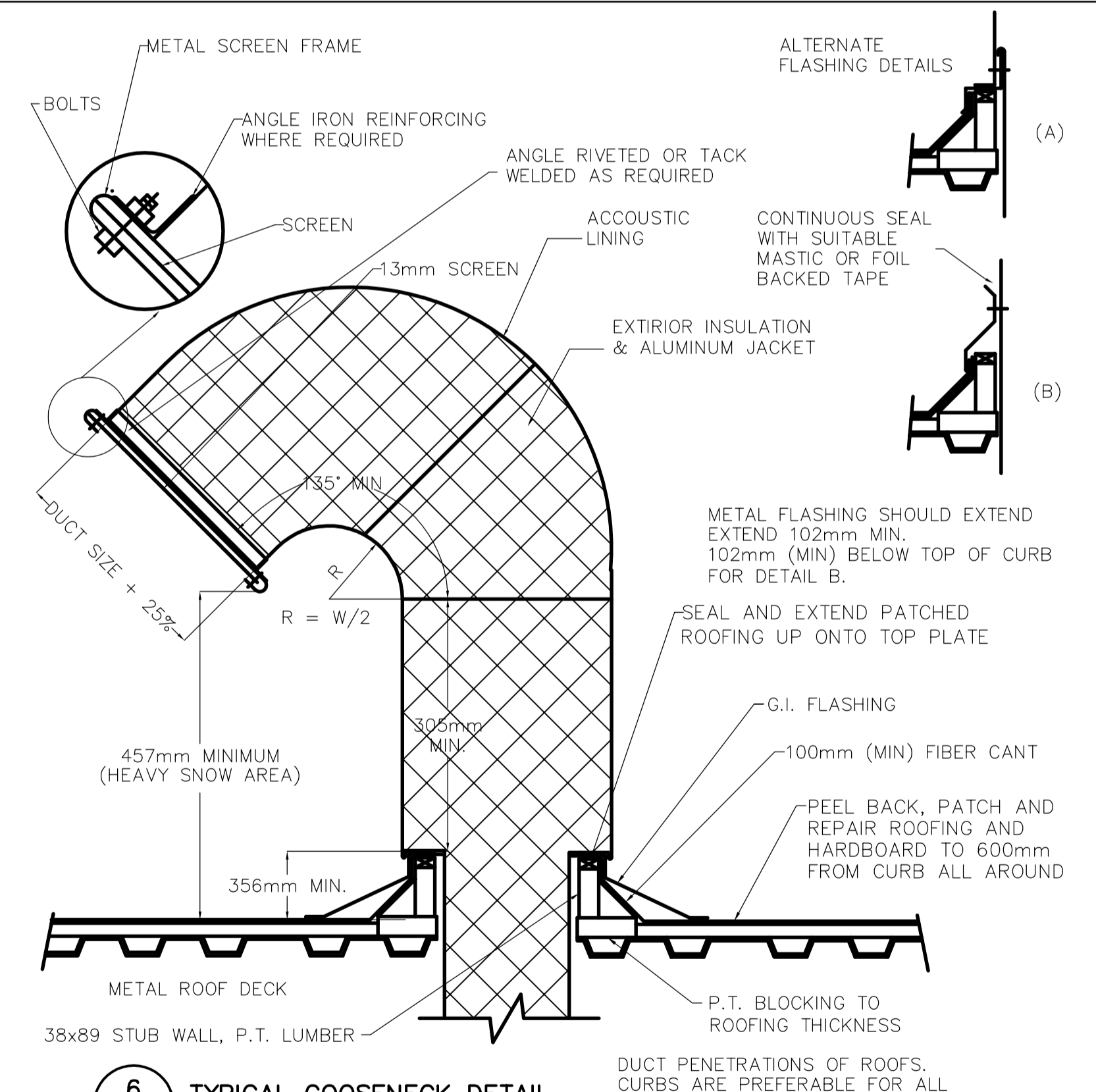
- NOTE:
- BRACKETS ARE SIZED FOR 3600mm OF DUCT MAX
 - LOCATE DUCTS AGAINST WALL OR MAX OF 50mm AWAY FROM WALL
 - EACH WALL ANCHOR SHALL SATISFY THE FOLLOWING:
 - TENSILE LOAD = 9 x DUCT WEIGHT; SAFETY FACTOR OF 4
 - SHEAR LOAD = 15 x DUCT WEIGHT; SAFETY FACTOR OF 4
 - SECURE WITH APPROVED ANCHORS TO MATCH WALL CONSTRUCTION

4 DUCT SUPPORTS FROM WALL DETAIL
SCALE N.T.S.



- NOTES:
- OVERALL SIZE OF OPENING SHOULD BE 1/4" AND 1/2" GREATER IN BOTH DIRECTIONS THAN EXTERNAL DIMENSIONS OF LOUVER FOR SIZES ≤ 48" OR > 48", RESPECTIVELY
 - MAXIMUM DAMPER WIDTH ≤ 5FT, USE MULLION CONNECTED SECTIONS FOR GREATER WIDTHS
 - CAULK AND SEAL AROUND PERIMETER OF DAMPER SECTION AT WALL
 - PROVIDE ALUMINUM OR GALV EXPANDED BIRD EXCLUSION SCREEN ON OUTSIDE OF DAMPER. (MIN FREE AREA 80% OF GROSS AREA)
 - FOR AIR TIGHT SEAL PROVIDE VINYL GASKET ALONG FULL WIDTH OF EACH BLADE
 - CONSTRUCT DAMPER OF NONFERROUS CORROSION RESISTANT MATERIAL AND SECURE WITH SS OR ALUMINUM FASTENERS

5 DAMPER IN MASONRY WALL
SCALE N.T.S.



6 TYPICAL GOOSENECK DETAIL
SCALE N.T.S.

<p>Certificate of Authorization Earth Tech Canada Inc. No. 730 Expiry: April 30, 2007</p>	B.M. ELEV.	<p>A Tyco International Ltd. Company</p>	ENGINEER'S SEAL	<p>THE CITY OF WINNIPEG WATER AND WASTE DEPARTMENT ENGINEERING DIVISION</p>	
	DESIGNED BY AB		CHECKED BY AB		ORIGINAL SIGNED BY A. BURACHYNSKY
	DRAWN BY DJP		APPROVED BY JEH		2006/05/15
	SCALE: AS NOTED		RELEASED FOR CONSTRUCTION BY: K. MARTENS		CONSULTANT DRAWING NO. M5.02
00 ISSUED FOR TENDER 06/05/15 DJP	NO. REVISIONS DATE BY	DATE 2006/05/15	DATE 2006/05/15	MECHANICAL HVAC DETAILS SHEET 2 OF 2	
			CITY FILE NUMBER		
			SHEET OF		
			CITY DRAWING NUMBER		