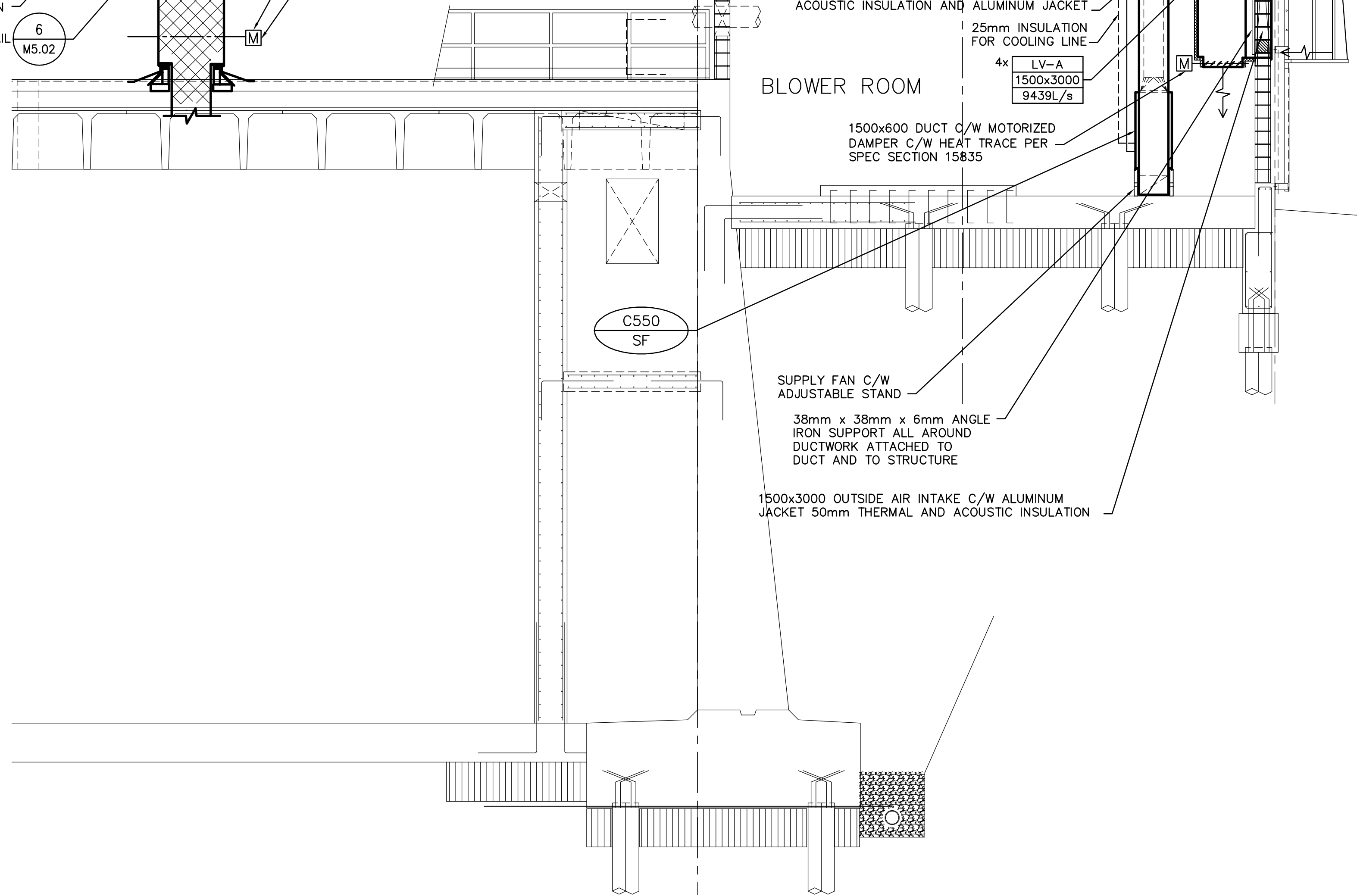
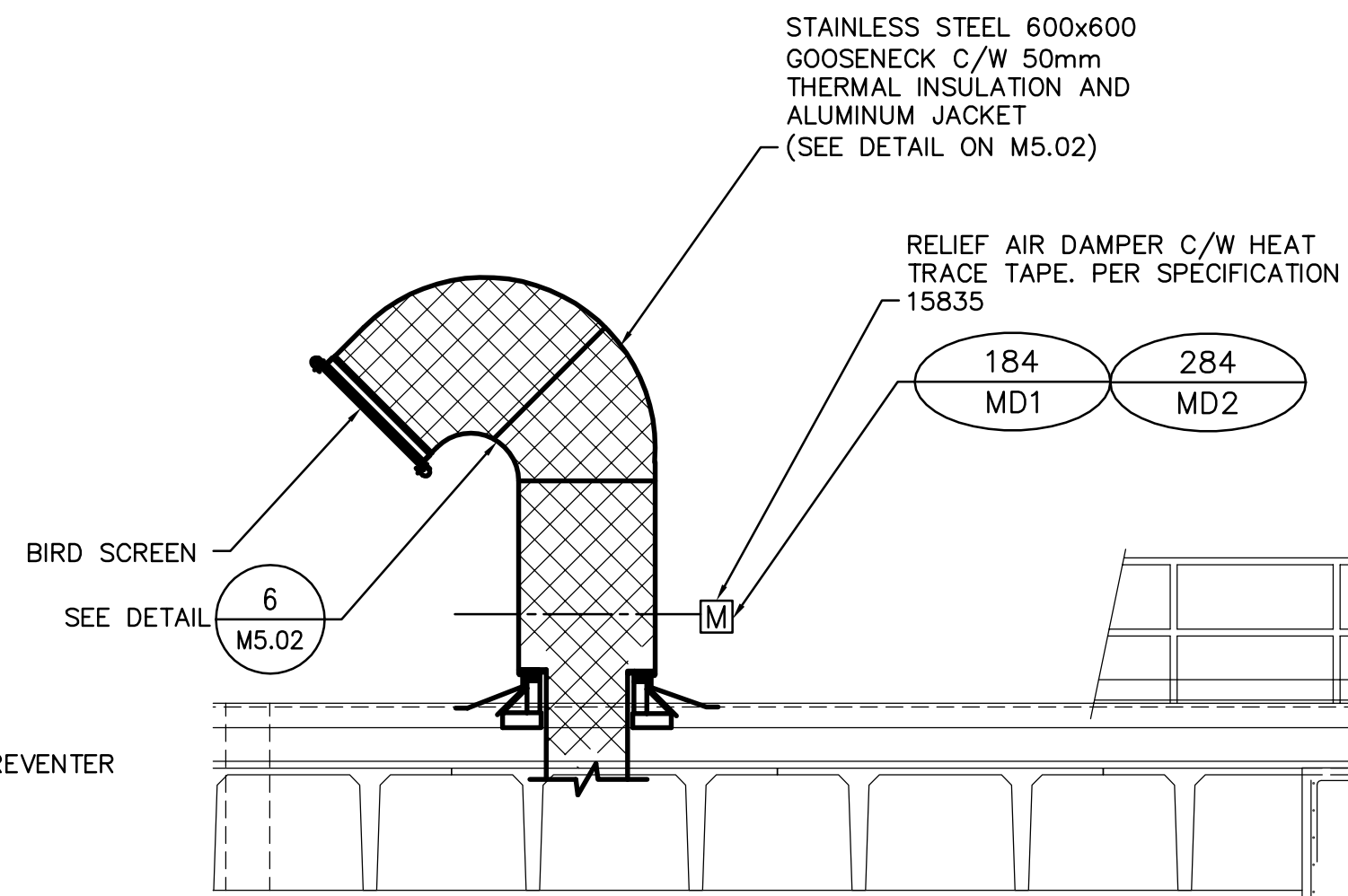


1 BLOWER BUILDING SECTION - PLUMBING
M1.01 SCALE 1:50

GENERAL NOTE:

- MECHANICAL CONTRACTOR SHALL SLEEVE THRU ALL SANITARY LINES LARGER THAN 38mm THRU SBR TANK. (SEE DETAIL). COORDINATE WITH STRUCTURAL TRADES.
- MECHANICAL CONTRACTOR SHALL PROVIDE AN APPROVED FIRE STOPPING SYSTEM IN FIRE RATED AREAS.



2 BLOWER BUILDING SECTION - HVAC
M1.02 SCALE 1:50



B.M. ELEV.	NO.	ISSUED FOR TENDER	DATE	BY
	00	ISSUED FOR TENDER	06/05/15	DJP
		NO. REVISIONS	DATE	BY

<p>A Tyco International Ltd. Company</p>		DESIGNED BY	AB	CHECKED BY	AB
		DRAWN BY	DJP	APPROVED BY	JEH
SCALE:		AS NOTED		RELEASED FOR CONSTRUCTION BY:	
				K. MARTENS	
DATE	2006/05/15	DATE	2006/05/15		

ENGINEER'S SEAL	ORIGINAL SIGNED BY
	A. BURACHYNSKY
	2006/05/15
CONSULTANT DRAWING NO.	M1.04

<p>THE CITY OF WINNIPEG WATER AND WASTE DEPARTMENT ENGINEERING DIVISION</p>		CITY FILE NUMBER
<p>NEWPCC CENTRATE NUTRIENT TREATMENT NITROGEN REMOVAL FACILITY</p>		SHEET OF
<p>MECHANICAL BLOWER BUILDING - SECTIONS</p>		CITY DRAWING NUMBER