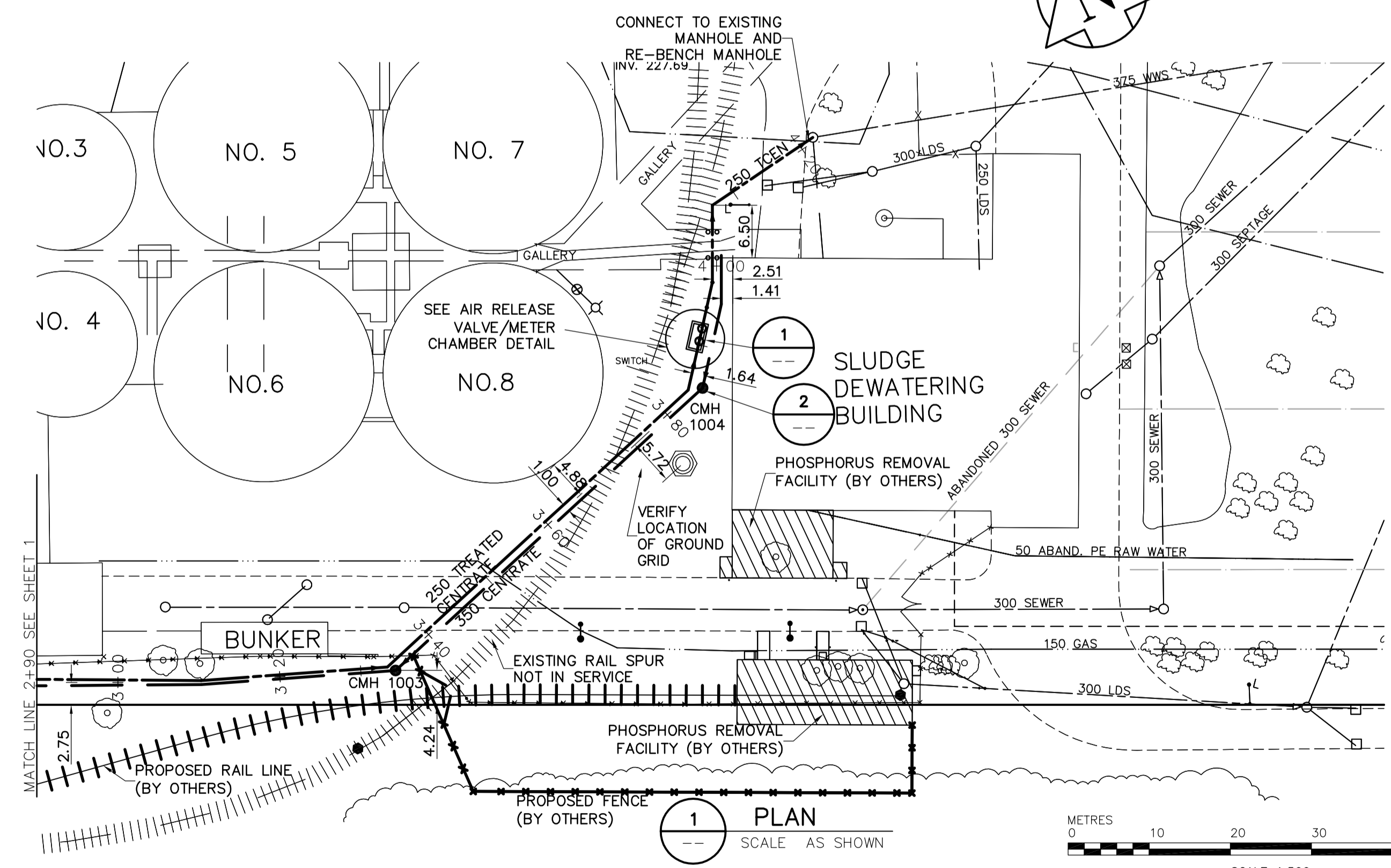
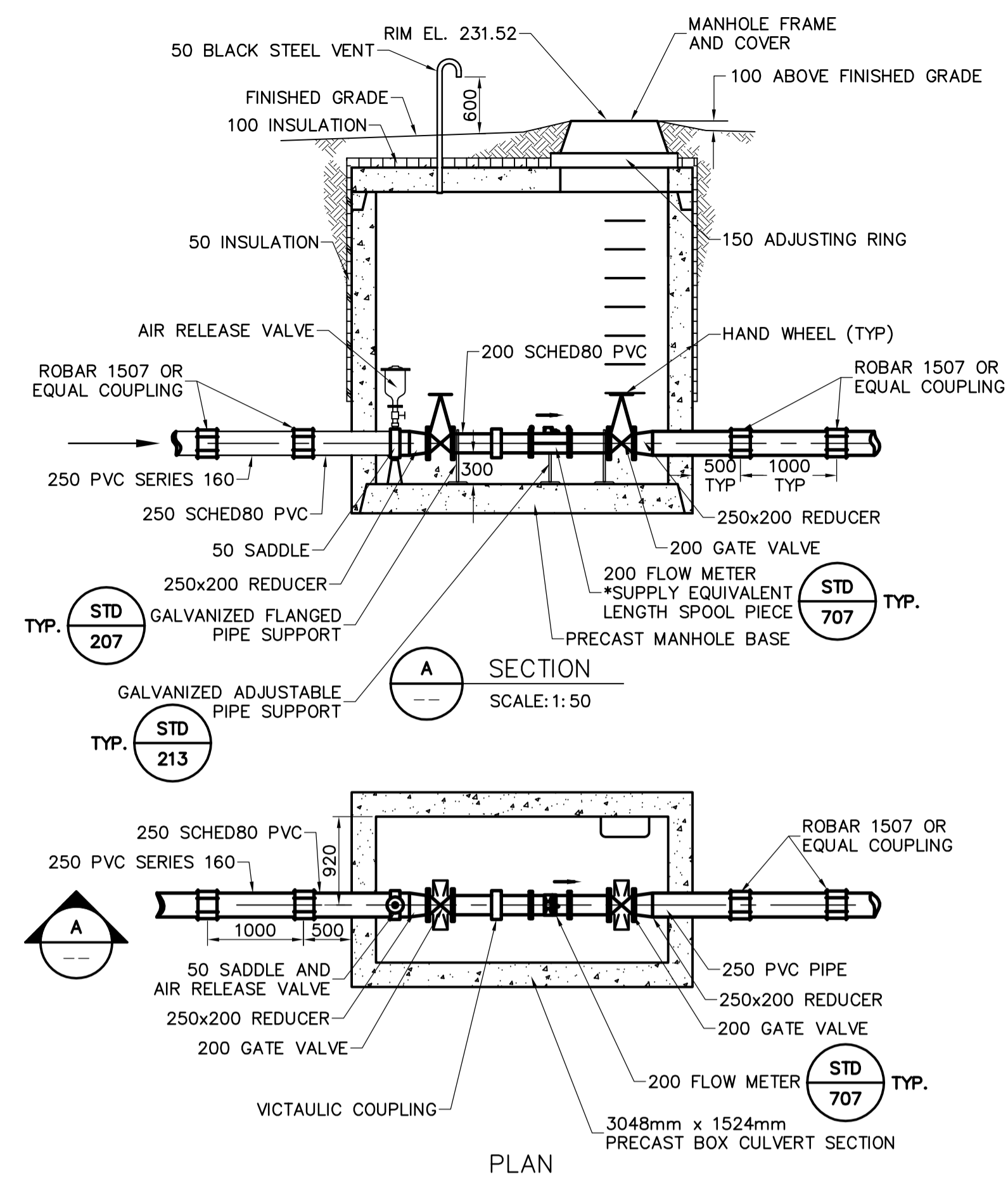


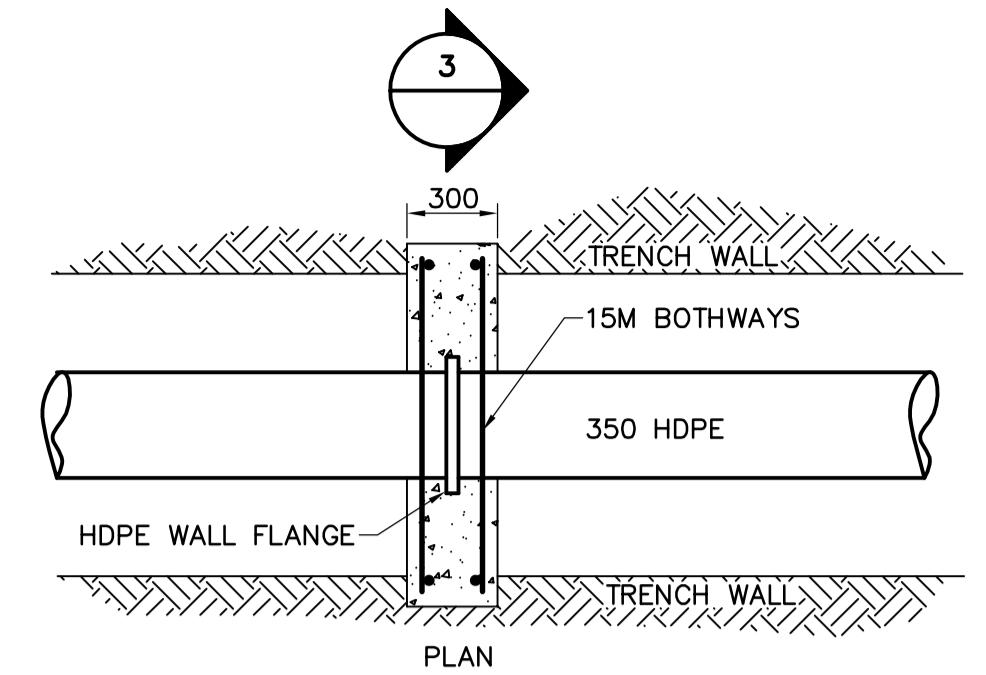
1 PROFILE  
SCALE AS SHOWN



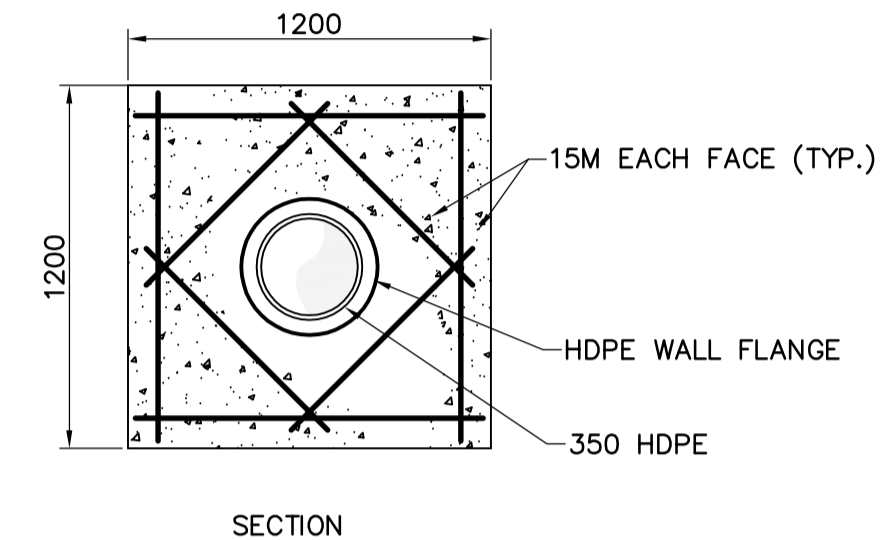
1 PLAN  
SCALE AS SHOWN



1 AIR RELEASE VALVE/METER CHAMBER  
SCALE 1:50



NOTE: ANCHOR BLOCK TO BE LOCATED 1.5-2.0m EACH SIDE OF CLEANOUT MANHOLE OR CONNECTION TO DUCTILE IRON PIPE



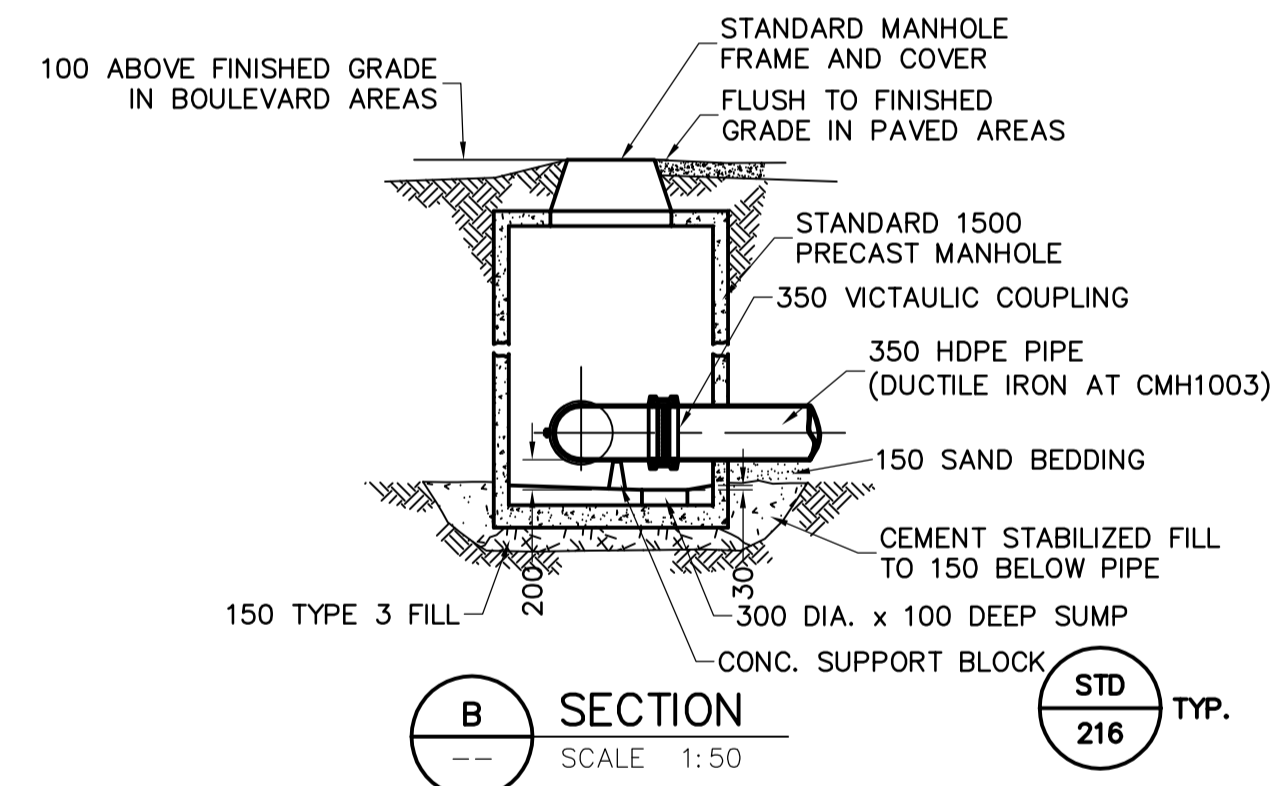
3 ANCHOR BLOCK DETAIL  
SCALE 1:25

CONSTRUCTION NOTES

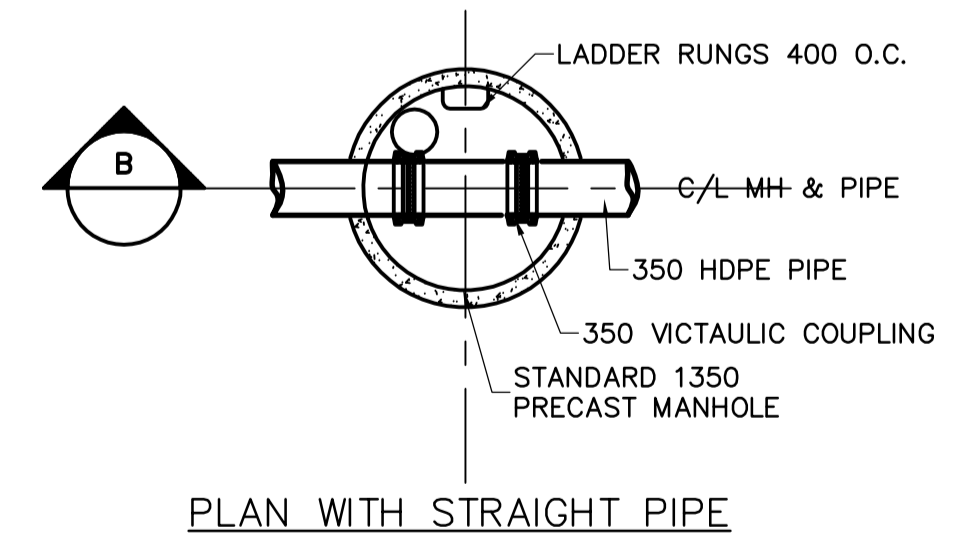
1. ALL WORK AND MATERIALS SHALL CONFORM TO THE CITY OF WINNIPEG STANDARD CONSTRUCTION SPECIFICATIONS.
2. RESTORE ALL SURFACES TO A CONDITION EQUAL TO OR BETTER THAN ORIGINAL CONDITION.
3. REMOVE EXISTING RAIL AND TIES AS REQUIRED IN SECTIONS OF TRACK NOT IN SERVICE. STOCKPILE RAIL AND TIES AS DIRECTED BY CONTRACT ADMINISTRATOR.
4. 350 DUCTILE IRON PIPE-AWWA C151 PRESSURE CLASS 250-GLASS LINED.
5. 250 DUCTILE IRON PIPE-AWWA C151 PRESSURE CLASS 350-CEMENT MORTAR LINED.

GENERAL NOTES:

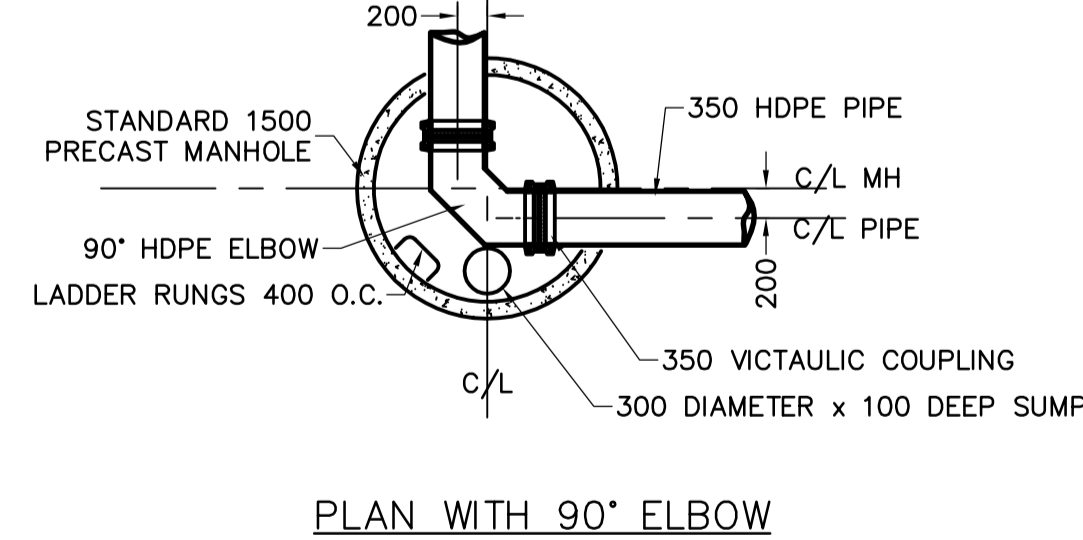
- A. BASELINE MEASURED DOWN CENTERLINE OF CENTRATE/TREATED CENTRATE TRENCH
- B. EARTH TECH FIELD BOOK No. 4401
- C. LOCATION OF UNDERGROUND STRUCTURES AS SHOWN ARE BASED ON THE BEST INFORMATION AVAILABLE, BUT NO GUARANTEE IS GIVEN THAT ALL EXISTING UTILITIES ARE SHOWN OR THAT THE GIVEN LOCATIONS ARE EXACT. CONFIRMATION OF EXISTENCE AND EXACT LOCATION OF ALL SERVICES MUST BE OBTAINED FROM THE INDIVIDUAL UTILITIES BEFORE PROCEEDING WITH CONSTRUCTION.
- D. PHOSPHORUS REMOVAL FACILITY (BY OTHERS).



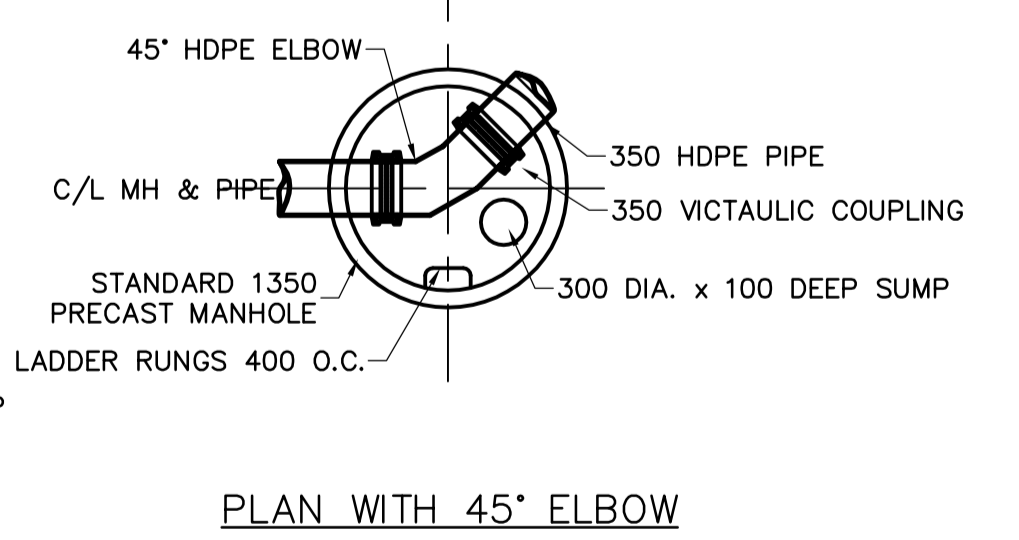
B SECTION  
SCALE 1:50



PLAN WITH STRAIGHT PIPE



PLAN WITH 90° ELBOW



PLAN WITH 45° ELBOW

2 CLEANOUT CHAMBER  
SCALE 1:50

150 mm W.M.	WATERMAIN	150 mm W.M.	HYDRO	LIGHT STANDARD	
◇	HYDRANT	+	M.T.S.	BOLLARD	
○	VALVE	●	CONCRETE	FIRE EXTINGUISHER	
300mm I.D.S.	LAND DRAINAGE SEWER	300mm I.D.S.	ASPHALT	CURB STOP	
250mm W.W.S.	WASTEWATER SEWER	250mm W.W.S.	PROPERTY LINE	TREATED CENTRATE	
○	MANHOLE	◆	TEST HOLES	@ RAILWAY TRACK	
□	CATCH BASIN	232.750	ELEVATION	DITCH	
▽	CURB INLET	300	TREE	RAS	
+	JUNCTIONS	ANODE	CONCRETE SIDEWALK	WAS	
—	CULVERT	FENCE	FENCE	FW	
—	GAS			CENTRATE	
EXISTING	LEGEND - PLAN	PROPOSED	EXISTING	LEGEND - PLAN	PROPOSED

**EarthTech**  
A Tyco International Ltd. Company  
Certificate of Authorization  
Earth Tech Canada Inc.  
No. 730 Expiry: April 30, 2007

B.M.	13-027 W. side Main St. on the grounds of the North End Treatment Plant, 10ft. on top of Conc. pit in front of main ELEV. bldg., 22.3m E. of line of most Ely. wall & 32.8m S. of most Nly. wall of main bldg. (ties to 101.) ELEV. = 231.261m				
NO.	ISSUED FOR TENDER	DATE	06/05/15	BY	FC
NO.	REVISIONS	DATE	2006/01/16	DATE	2006/05/15

**EarthTech**  
A Tyco International Ltd. Company

DESIGNED BY	GSK	CHECKED BY	KWF
DRAWN BY	FC	APPROVED BY	JEH
SCALE:	HOR: 1:500 VERT: 1:50	RELEASED FOR CONSTRUCTION BY:	K. MARTENS

ENGINEER'S SEAL  
ORIGINAL SIGNED BY  
K.W. FITCHETT  
2006/05/15  
CONSULTANT DRAWING NO.  
C4.02

**THE CITY OF WINNIPEG**  
WATER AND WASTE DEPARTMENT  
ENGINEERING DIVISION

NEWPC CENTRATE NUTRIENT TREATMENT  
NITROGEN REMOVAL FACILITY

CIVIL  
CENTRATE FEED LINE AND TREATED CENTRATE  
RETURN LINE-PLAN AND PROFILE-SHEET 2

CITY FILE NUMBER  
SHEET OF  
CITY DRAWING NUMBER