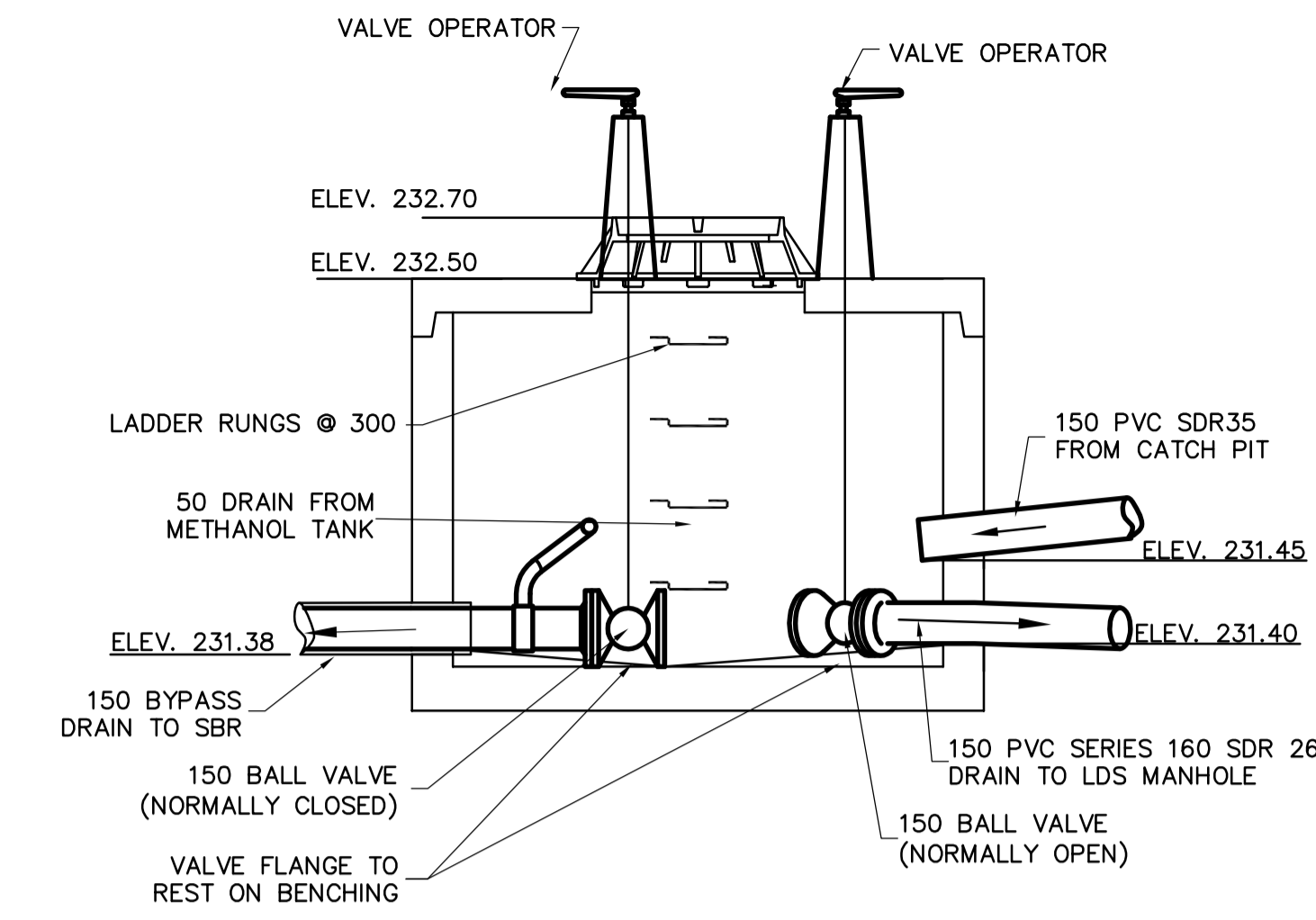
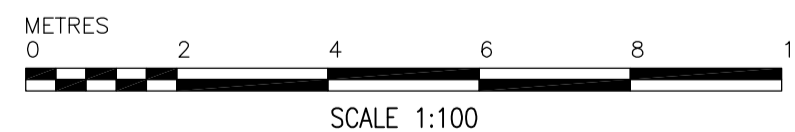
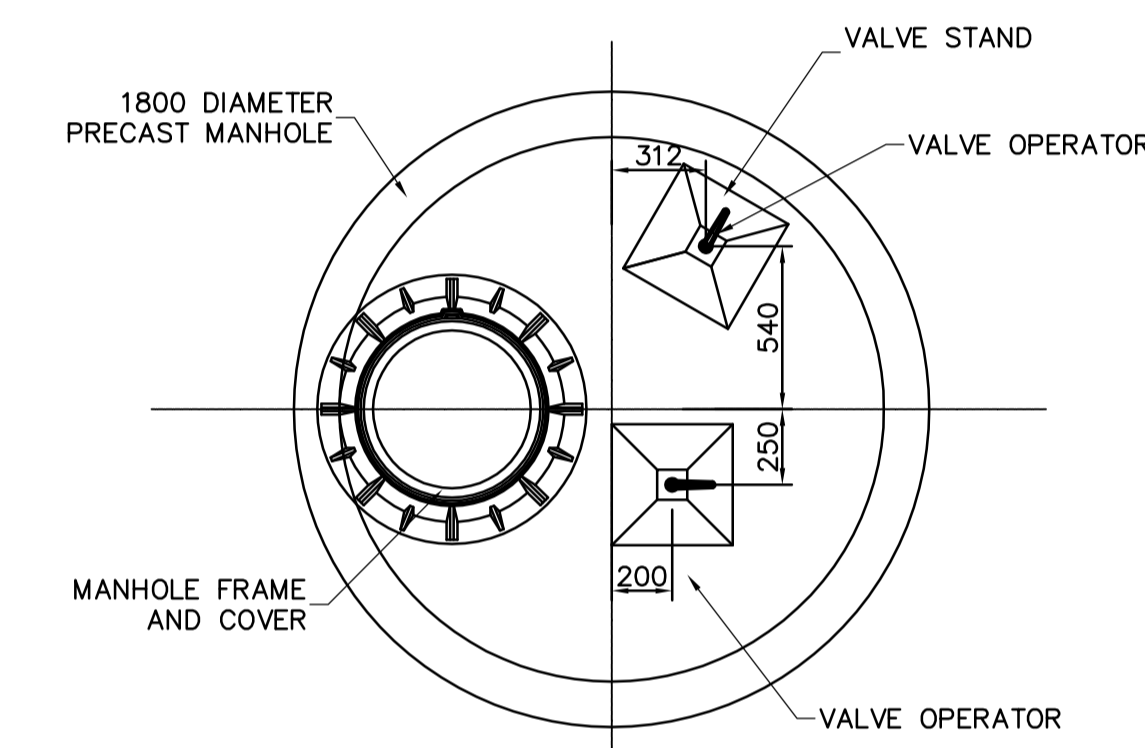


1 PLAN
C2.02 SCALE 1:100

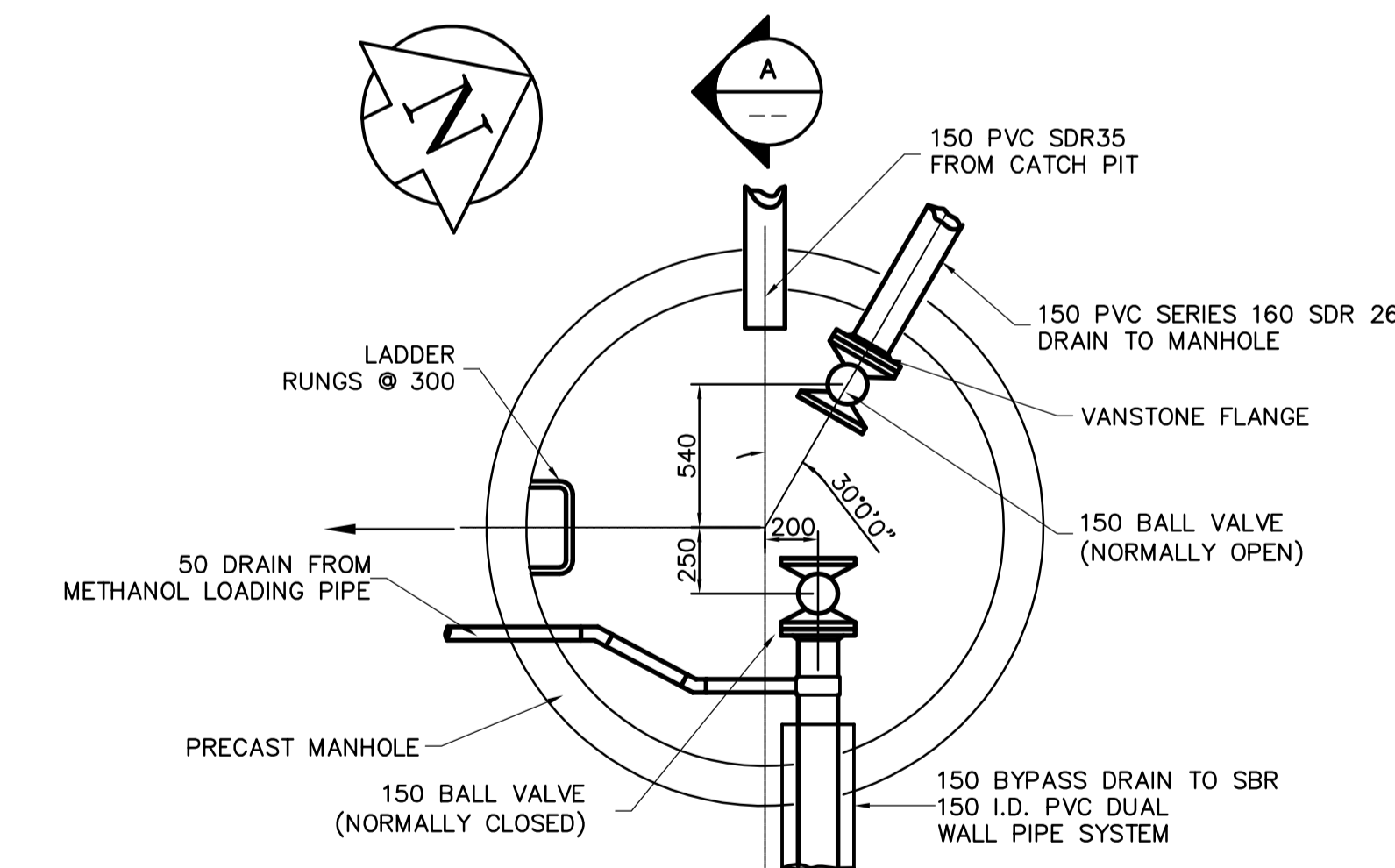


NOTE: BENCH MANHOLE TO DIRECT FLOW TO BY-PASS DRAIN

A SECTION
SCALE 1:25



ROOF PLAN
SCALE 1:25



PLAN VIEW

1 VALVE CHAMBER
SCALE 1:25

- CONSTRUCTION NOTES:
1. ALL WORK AND MATERIALS SHALL CONFORM TO THE CITY OF WINNIPEG STANDARD CONSTRUCTION SPECIFICATIONS.
 2. RESTORE ALL SURFACES TO A CONDITION EQUAL TO OR BETTER THAN ORIGINAL CONDITION.

150 mm WM	WATERMAIN	150 mm WM	HYDRO	HYDRO	150 mm WM	WATERMAIN
300mm LDS	LAND DRAINAGE SEWER	300mm LDS	CONCRETE	CONCRETE	300mm LDS	LAND DRAINAGE SEWER
250mm WWS	WASTEWATER SEWER	250mm WWS	ASPHALT	ASPHALT	250mm WWS	WASTEWATER SEWER
MANHOLE	MANHOLE	MANHOLE	PROPERTY LINE	PROPERTY LINE	MANHOLE	MANHOLE
CATCH BASIN	CATCH BASIN	CATCH BASIN	TEST HOLES	TEST HOLES	CATCH BASIN	CATCH BASIN
CURB INLET	CURB INLET	CURB INLET	ELEVATION	ELEVATION	CURB INLET	CURB INLET
JUNCTIONS	JUNCTIONS	JUNCTIONS	TREE	TREE	JUNCTIONS	JUNCTIONS
CULVERT	CULVERT	CULVERT	ANODE	ANODE	CULVERT	CULVERT
GAS	GAS	GAS	CONCRETE SIDEWALK	CONCRETE SIDEWALK	GAS	GAS
FENCE	FENCE	FENCE	FENCE	FENCE	FENCE	FENCE
EXISTING	LEGEND - PLAN	PROPOSED	EXISTING	LEGEND - PLAN	PROPOSED	EXISTING

APEGM
Certificate of Authorization
Earth Tech Canada Inc.
No. 730 Expiry: April 30, 2007

13-027 W. side Main St. on the grounds of the North End B.M. Treatment Plant, 10ft. on top of Conc. pit in front of main ELEV. bldg., 22.3m E. of line of most Ely. wall & 32.8m S. of most Nly. wall of main bldg. (ties to 101.) ELEV. = 231.261m	00	ISSUED FOR TENDER	06/05/15	FC
NO. REVISIONS	DATE	BY	DATE	2006/01/16

EarthTech
A Tyco International Ltd. Company

DESIGNED BY: GSK	CHECKED BY: KWF
DRAWN BY: FC	APPROVED BY: JEJ
SCALE: 1:100	RELEASED FOR CONSTRUCTION BY: K. MARTENS
DATE: 2006/01/16	DATE: 2006/05/15

ENGINEER'S SEAL
ORIGINAL SIGNED BY
K.W. FITCHETT
2006/05/15
CONSULTANT DRAWING NO.
C2.02

THE CITY OF WINNIPEG
WATER AND WASTE DEPARTMENT
ENGINEERING DIVISION

NEWPC CENTRATE NUTRIENT TREATMENT
NITROGEN REMOVAL FACILITY

CIVIL
PART PLAN AND DETAILS
CHEMICAL UNLOADING AREAS

CITY FILE NUMBER
SHEET OF
CITY DRAWING NUMBER