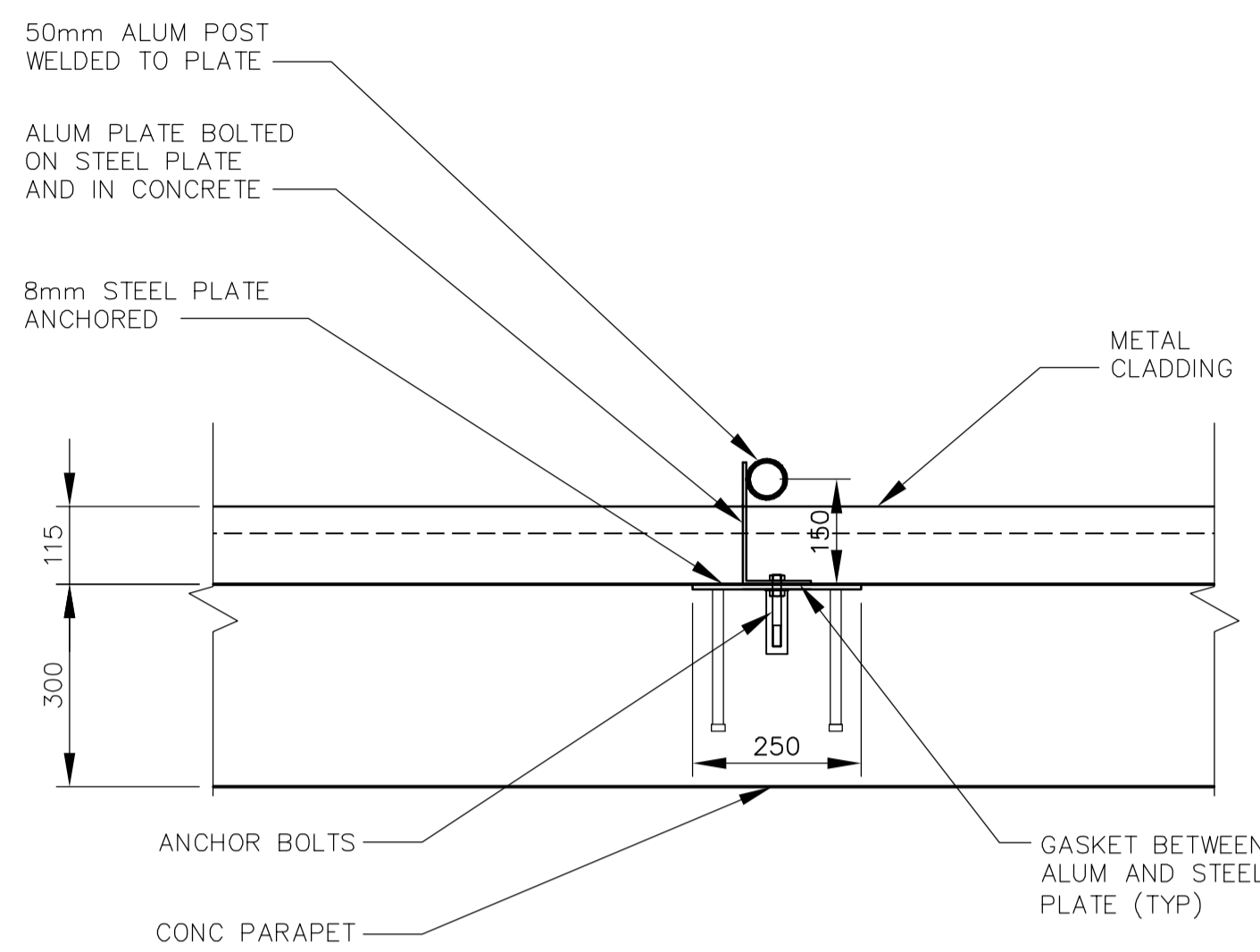
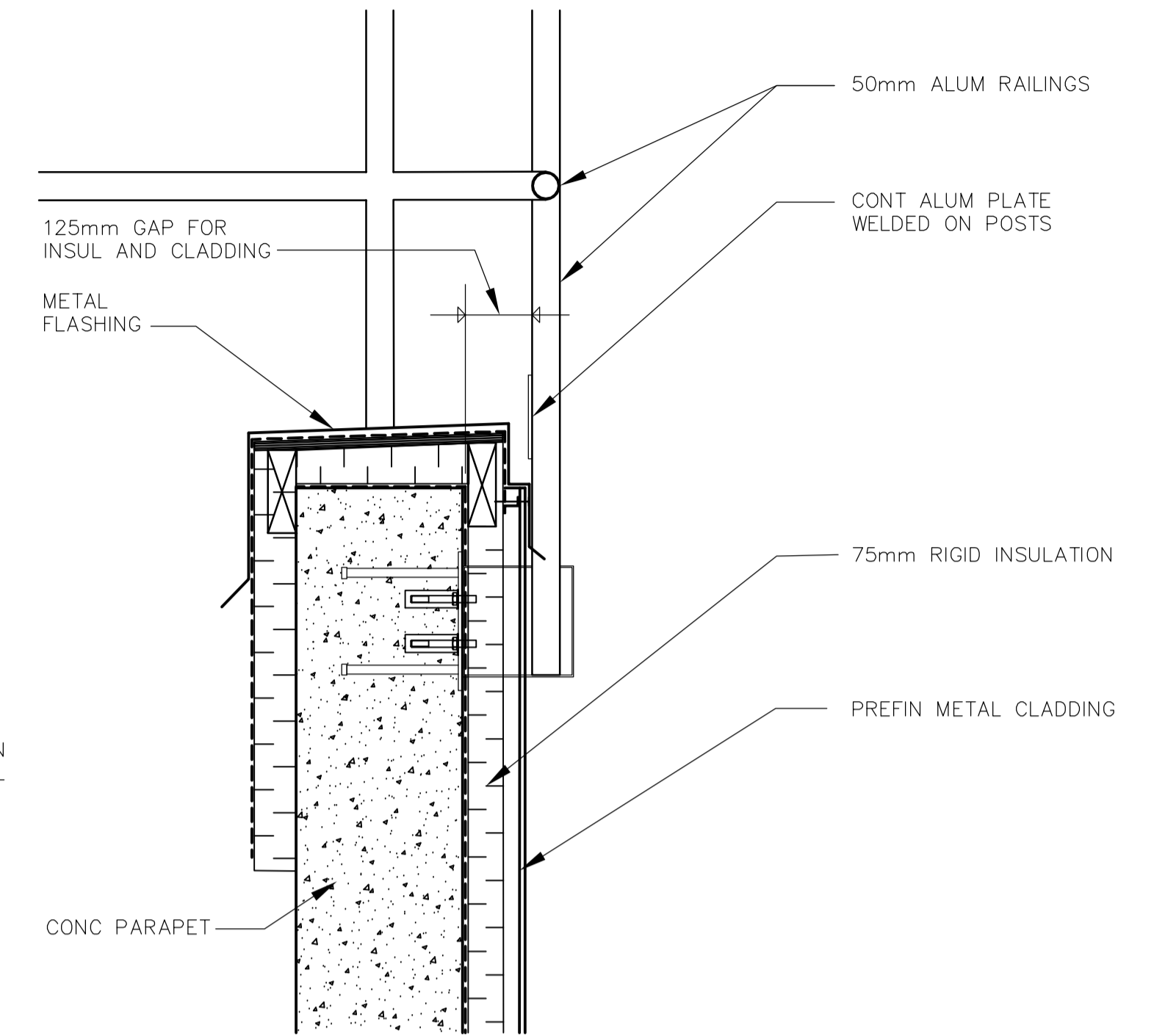


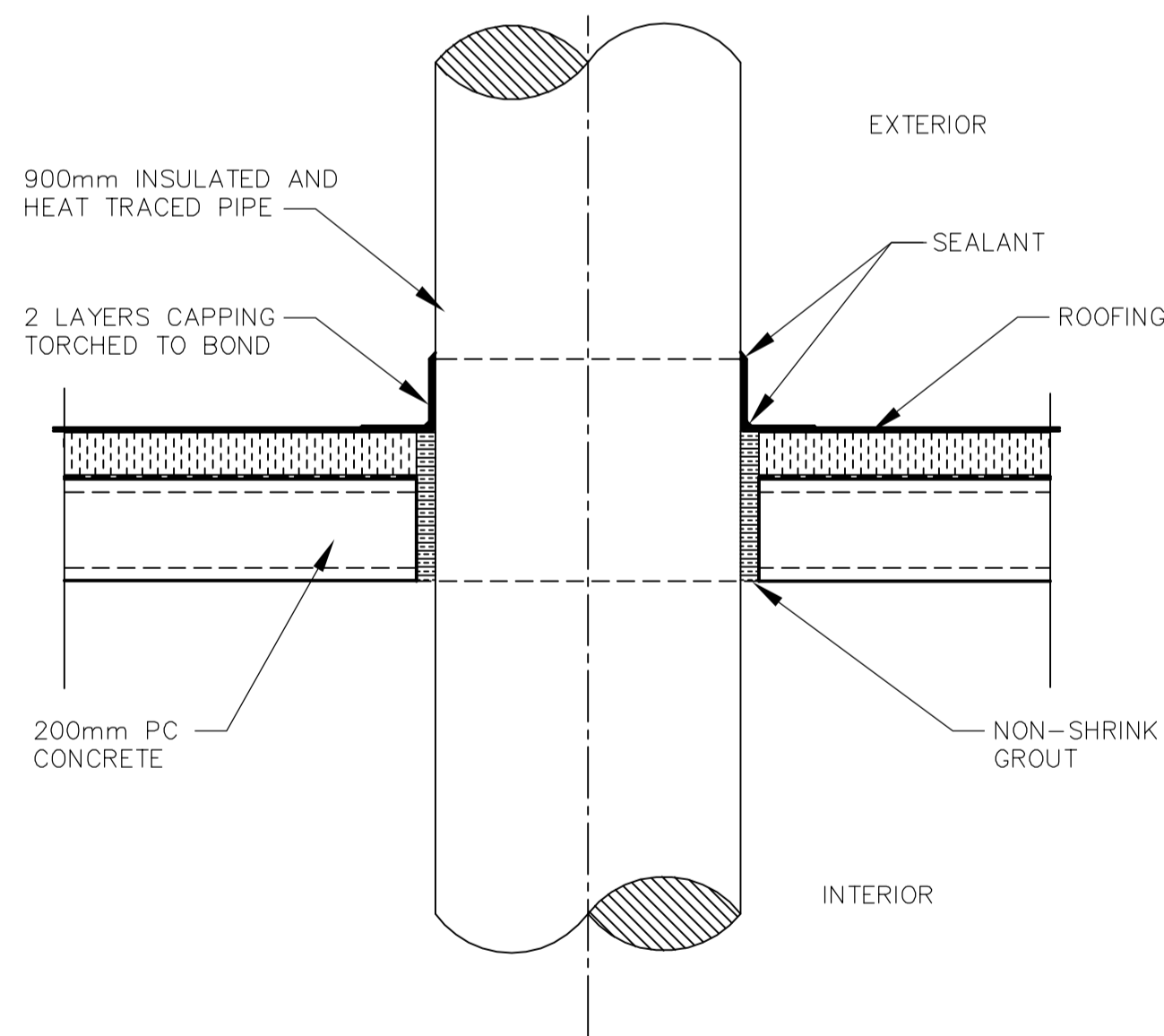
1 INTERIOR DOOR SECTION DETAIL  
A1.02 1:10



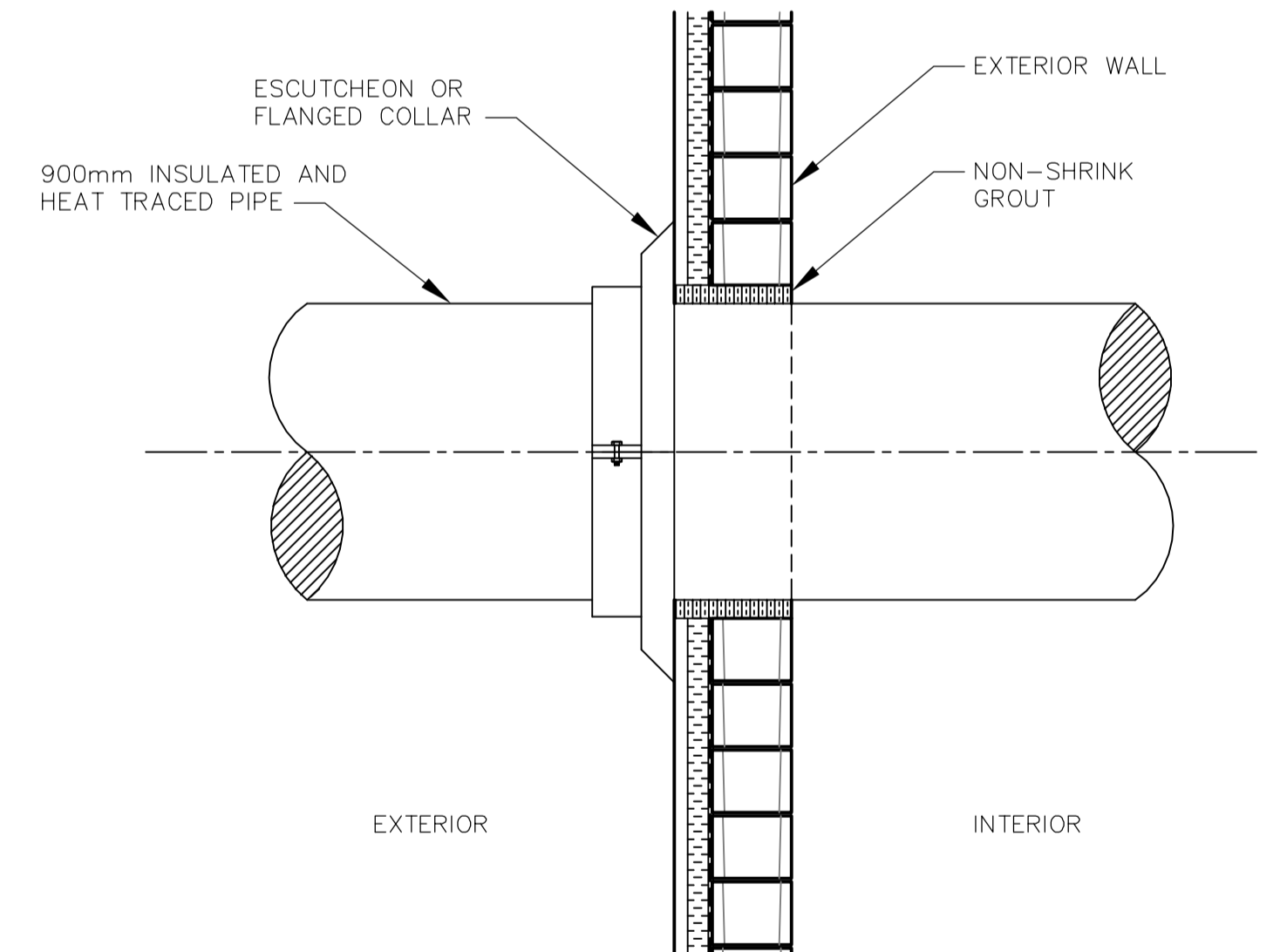
4 ALUM RAILING CONNECTION DETAIL-PLAN  
A3.01 1:10



5 ALUM RAILING CONNECTION DETAIL-SECTION  
A3.01 1:10



2 ROOF PIPE PENETRATION DETAIL (TYP)  
A3.02 1:20



3 WALL PIPE PENETRATION DETAIL (TYP)  
A1.01 1:20



B.M. ELEV.		 A Tyco International Ltd. Company		ENGINEER'S SEAL		 THE CITY OF WINNIPEG WATER AND WASTE DEPARTMENT ENGINEERING DIVISION	
				ORIGINAL SIGNED BY N. COOPER 2006/05/15			
DESIGNED BY	NC	CHECKED BY	LK	CONSULTANT DRAWING NO. A4.03		SHEET OF	
DRAWN BY	AL	APPROVED BY	JEH	ARCHITECTURAL MISCELLANEOUS DETAILS		CITY DRAWING NUMBER	
HOR. SCALE: AS NOTED		RELEASED FOR CONSTRUCTION BY: K. MARTENS					
NO.	ISSUED FOR TENDER	DATE	BY	DATE	2006/03/21	DATE	2006/05/15
NO.	REVISIONS						