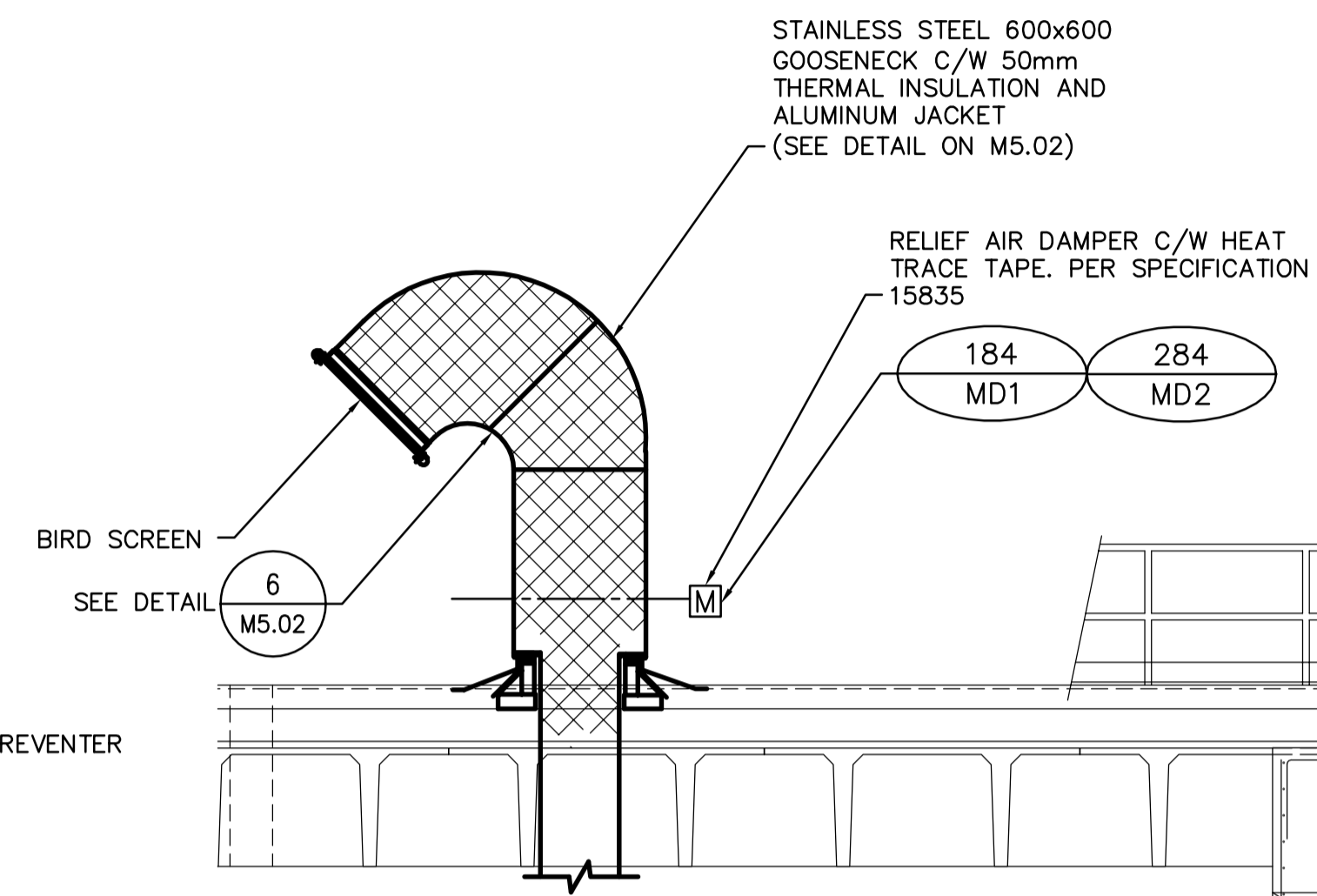
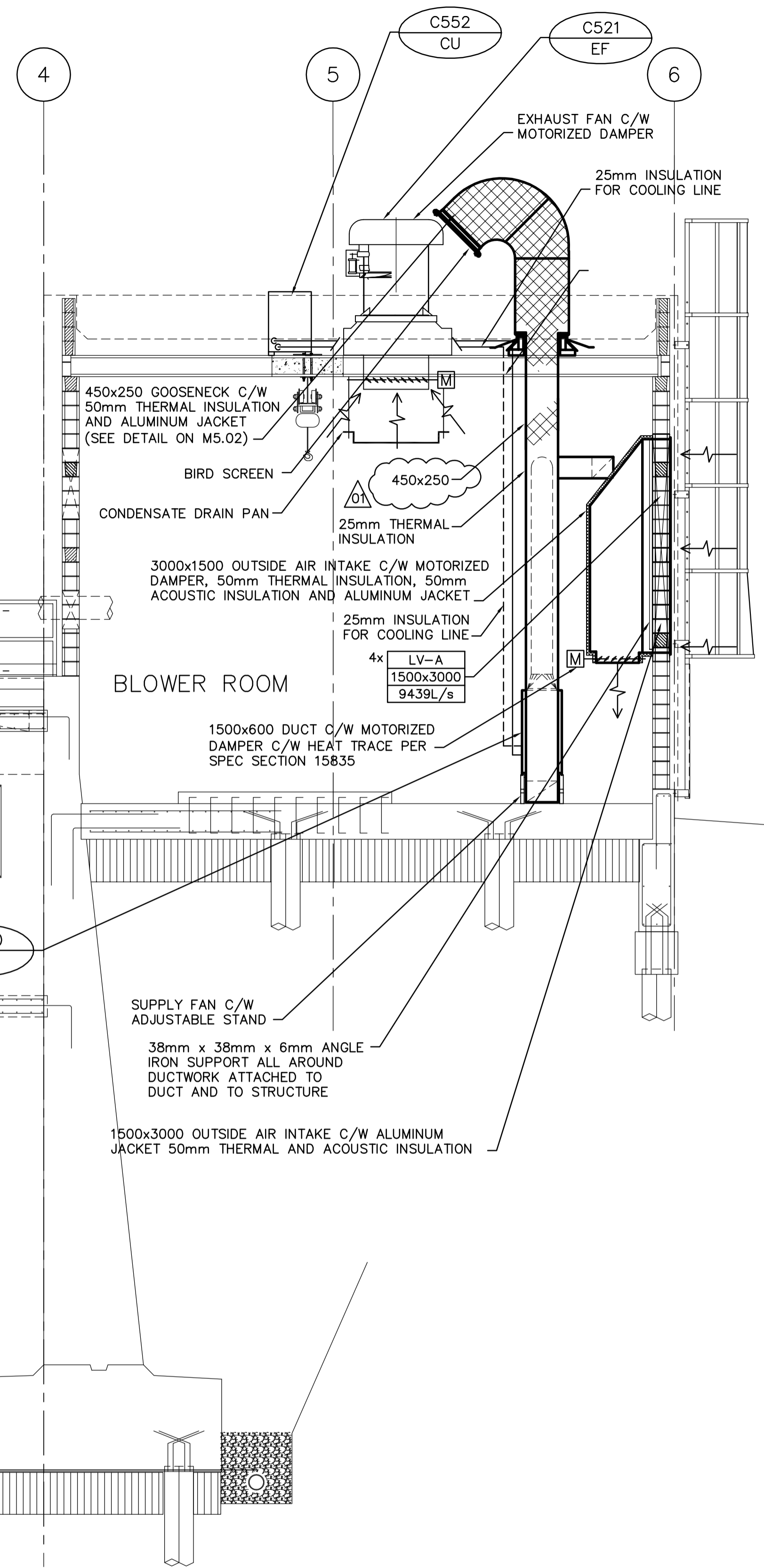


1 BLOWER BUILDING SECTION - PLUMBING
M1.01 SCALE 1:50



2 BLOWER BUILDING SECTION-HVAC
M1.02 SCALE 1:50



GENERAL NOTE:

- CONTRACTOR SHALL SLEEVE THRU ALL SANITARY LINES LARGER THAN 38mm THRU SBR TANK. (SEE DETAIL). COORDINATE WITH STRUCTURAL TRADES.
- CONTRACTOR SHALL PROVIDE AN APPROVED FIRE STOPPING SYSTEM IN FIRE RATED AREAS.

APEGM
Certificate of Authorization
Earth Tech Canada Inc.
No. 730 Expiry: April 30, 2007

NO.	REVISIONS	DATE	BY
01	291-2006 ADDENDUM 3	06/07/12	DJP
00	ISSUED FOR TENDER	06/05/15	DJP

EarthTech
A Tyco International Ltd. Company

DESIGNED BY	AB	CHECKED BY	AB
DRAWN BY	DJP	APPROVED BY	JEH
SCALE:	AS NOTED		
RELEASED FOR CONSTRUCTION BY:	K. MARTENS		
DATE	2006/05/15	DATE	2006/05/15

ENGINEER'S SEAL
ORIGINAL SIGNED BY
A. BURACHYNSKY
2006/05/15
CONSULTANT DRAWING NO.
M1.04

THE CITY OF WINNIPEG
WATER AND WASTE DEPARTMENT
ENGINEERING DIVISION

NEWPCC CENTRATE NUTRIENT TREATMENT NITROGEN REMOVAL FACILITY

MECHANICAL
BLOWER BUILDING - SECTIONS

CITY FILE NUMBER	
SHEET OF	
CITY DRAWING NUMBER	