

**PART A**

**BID SUBMISSION**

**FORM A: BID**

(See B7

1. Project Title SUPPLY & DELIVERY OF A PLATFORM PONTOON BOAT

2. Bidder

\_\_\_\_\_  
Name of Bidder

\_\_\_\_\_  
Street

\_\_\_\_\_  
City

\_\_\_\_\_  
Province

\_\_\_\_\_  
Postal Code

(Mailing address if different)

\_\_\_\_\_  
Street or P.O. Box

\_\_\_\_\_  
City

\_\_\_\_\_  
Province

\_\_\_\_\_  
Postal Code

The Bidder is:

(Choose one)

a sole proprietor

a partnership

a corporation

carrying on business under the above name.

3. Contact Person

The Bidder hereby authorizes the following contact person to represent the Bidder for purposes of the Bid.

\_\_\_\_\_  
Contact Person

\_\_\_\_\_  
Title

\_\_\_\_\_  
Telephone Number

\_\_\_\_\_  
Facsimile Number

4. Definitions

All capitalized terms used in the Contract shall have the meanings ascribed to them in the General Conditions and D3.1 unless the context otherwise requires.

5. Offer

The Bidder hereby offers to perform the Work in accordance with the Contract for the price(s), in Canadian funds, set out on Form B: Prices, appended hereto.

6. Commencement of the Work

The Bidder agrees that no Work shall commence until he is in receipt of a Purchase Order authorizing the commencement of the Work.

Template Version: G320040301

7. Contract The Bidder agrees that the Bid Opportunity in its entirety shall be deemed to be incorporated in and to form a part of this offer notwithstanding that not all parts thereof are necessarily attached to or accompany this Bid Submission.

8. Addenda The Bidder certifies that the following addenda have been received and agrees that they shall be deemed to form a part of the Contract:

No.	_____	Dated	_____
	_____		_____
	_____		_____

9. Time This offer shall be open for acceptance, binding and irrevocable for a period of thirty (30) Calendar Days following the Submission Deadline.

10. Signatures In witness whereof the Bidder or the Bidder's authorized official or officials have signed this

\_\_\_\_\_ day of \_\_\_\_\_, 20\_\_\_\_\_ .

Signature of Bidder or  
Bidder's Authorized Official or Officials

\_\_\_\_\_

(Print here name and official capacity of individual whose signature appears above)

\_\_\_\_\_

(Print here name and official capacity of individual whose signature appears above)

**FORM B: PRICES**  
 (See B8)

**SUPPLY & DELIVERY OF A PLATFORM PONTOON BOAT**

When entering prices into the table below, **do not include** Federal and Provincial Taxes (Goods And Services Tax (GST) and Manitoba Retail Sales Tax (PST)). These taxes shall be extra ( see clause B8.1.1)

I T E M	DESCRIPTION	SPEC. REF.	U N I T	Q U A N	UNIT PRICE	EXTENDED AMOUNT ( unit price x quantity )
1-A	Platform Pontoon Boat	06 - 019	Ea.	1	\$ _____	\$ _____
1-B	Operator's Manuals for Item 1A	06 - 019	Ea.	1	\$ _____	\$ _____
1-C	Parts, Repair and Technical Service Manuals or CD Rom for Item 1A	06 - 001	Ea.	1	\$ _____	\$ _____

TOTAL BID PRICE (GST and PST extra) (In figures) \$ \_\_\_\_\_

(In words) \_\_\_\_\_

\_\_\_\_\_  
 Name of Bidder

## FORM N: — ITEMS 1A , 1B and 1C — DETAILED SPECIFICATIONS 06 ~ 019

### PLATFORM PONTOON BOAT

#### 1.0 DESCRIPTION OF EQUIPMENT AND PERFORMANCE

1.1 These specifications describe the supply and delivery of a minimum

##### **PLATFORM PONTOON BOAT**

with equipment and features as specified herein.

1.2 The platform pontoon boat and all other items/components shall be the manufacturer's latest model. The platform pontoon boat shall be furnished complete and ready for operation. Any parts or accessories not specifically mentioned, but which are required to complete and place the platform pontoon boat (including attachments) in successful operation shall be furnished as though specifically mentioned in these specifications.

The complete platform pontoon boat and attachments, and all parts thereof, shall conform in strength and quality of material and workmanship, to the best standards and engineering practice of the industry.

1.3 Shall be capable of consistent top performance for boulevard, walkway and parkland maintenance, snow removal work and other miscellaneous functions during the summer and winter environment which is normal to the City of Winnipeg.

#### 2.0 ELIGIBLE MODELS

2.1 State make and model of platform pontoon boat being bid.

---

#### 3.0 OTHER SPECIFICATIONS AND STANDARDS

3.1 All applicable SAE standards form an integral part of these specifications and shall have precedence in any conflict concerning minimum acceptable standards.

3.2 The platform pontoon boat and all its components shall comply with all Federal Coast Guard regulations and requirements

#### 4.0 SERVICE FACILITY

4.1 For the purpose of warranty repairs, the Bidder shall have an authorized service facility located within 10 km of the boundaries of the City of Winnipeg. The facility, or a portion thereof, shall be dedicated to the service and maintenance of the type equipment being offered. Further to **B9.1**, Bidders shall provide a description of the service facility including, but not limited to, number of qualified service staff, years of service experience, and general service capabilities within three (3) Business Days upon request of the Contract Administrator.

4.2 If a suitable warranty facility is not available within 10 km of the boundaries of the City of Winnipeg, the Bidder may propose that warranty work be performed by the City of Winnipeg Repair Facility. Any Work performed by the City of Winnipeg Repair Facility shall be charged to the Contractor at the Facility's shop rate in effect at the time the work is performed (for example, shop rate for 2006: \$73.50/hour).

4.3 Location of the service facility located within 10 km of the boundaries of the City of Winnipeg.

The Bidder shall choose and fill in **one** of the Clauses listed below. ——— **4.3.1 OR 4.3.2**

4.3.1 Bidder's own facility location. State the location of the service facility below.

---

4.3.2 Bidder elects to have warranty work be performed by the City of Winnipeg Repair Facility.

---

**5.0 INSTRUCTIONS FOR COMPLETION OF SPECIFICATIONS**

- 5.1 All items in these specifications must be answered indicating compliance or non-compliance. **Bidders shall state "yes" for compliance or state deviation, or give reply where requested to do so.** Deviations shall be clearly stated and fully detailed. Alternatives will be considered subject to evaluation.
- 5.2 Bidders are to bid on all items in this contract.
- 5.3 Each bidder is required to fill in every blank. **Failure to do so may be used as a basis for rejection of bid.**

**1.0 GENERAL**

- 1.1 Minimum of three pontoons. \_\_\_\_\_
- 1.2 Pontoons to be attached by Channel system **(see Appendix A)**. \_\_\_\_\_
  - 1.2.1 "J" channel –external or internal, \_\_\_\_\_
  - 1.2.2 "C" channel – internal. \_\_\_\_\_
- 1.3 Gross Vehicle Weight Capacity
  - 1.3.1 With the pontoons submerged to a maximum of 50 percent GVWR must be minimum of 6500 LBS. \_\_\_\_\_
- 1.4 Boat must be able to be registered as a commercial craft by Canada Customs. \_\_\_\_\_

**2.0 FRAME**

- 2.1 Channels
  - 2.1.1 6061 T6 – Aluminum. \_\_\_\_\_
  - 2.1.2 Thickness – 1/4 INCH. \_\_\_\_\_
  - 2.1.3 5 INCHES x 2 INCHES , 1/4 INCH thickness. \_\_\_\_\_
- 2.2 Cross members
  - 2.2.1 6061-T6 – Aluminum. \_\_\_\_\_
  - 2.2.2 Thickness – 1/8 INCH. \_\_\_\_\_
  - 2.2.3 3 INCH x 2 INCH box design. \_\_\_\_\_
- 2.3 Frame to be welded (not bolted) to cross members. \_\_\_\_\_

**3.0 PONTOONS: ( see APPENDIX B)**

- 3.1 Pontoon Material:
  - 3.1.1 Polyethylene. \_\_\_\_\_
  - 3.1.2 Medium density, as per industry standards \_\_\_\_\_

Template Version: G320040301

**3.2 Pontoon Dimensions:**

3.2.1 Maximum pontoon diameter — 24 INCHES.

---

3.2.2 Maximum pontoon height — 29 INCHES.

---

3.2.3 Minimum pontoon thickness — 1/4 INCH.

---

3.2.4 Maximum overall length of pontoon, excluding transom (see Specification 4.0) to be 25 FEET , 6 INCHES. State length of pontoon.

---

**3.3 Pontoon Miscellaneous:**

3.3.1 Must be “hollow”, not filled with foam or otherwise.

---

3.3.2 Blue in colour.

---

**3.4 Pontoon Extras**

3.4.1 6 INCH keel on each pontoon

---

3.4.2 Front splashguards on each pontoon.

---

3.4.3 Rear steps on each pontoon.

---

3.4.4 Accessories mounts – molded in.

---

**4.0 TRANSOM — ( see Clause 11.1.1 )**

4.1 Transom must be heavy duty aluminum.

---

4.2 Transom must be capable of mounting a 135 HP outboard motor.

---

4.3 Adjustable transom.

---

**5.0 CANOPY**

5.1 Canopy to be supplied by the City of Winnipeg, Winnipeg Police Service.

---

**6.0 FLOOR LAYOUT**

**6.1 Enclosed railing area:**

6.1.1 Enclosed railing area to be approximately 8 feet x 22 feet to allow for front open deck area.

---

**6.2 Deck area:**

6.2.1 Open deck area to be located at the front.

---

6.2.2 Open deck area to be approximately 8 FEET x 3 FEET.

---

**7.0 DECK:**

**7.1 Deck Material:**

7.1.1 Pressure Treated Plywood — 3/4 INCH thick.

---

Template Version: G320040301

7.1.2 Deck covering:

- a) Polyurethane.
- i) “Line-X Protection Advantage” or equivalent — Marine grade Liner.
- b) Grey in colour.

---

---

---

7.2 Deck Dimensions:

7.3 Maximum deck length — 25 FEET.

---

7.4 Maximum deck width — 8 FEET.

---

7.5 Benches:

7.5.1 Bench Seating for eight (8) people.

- a) Placement to be decided by The City of Winnipeg during the time of construction.

---

---

7.5.2 Diver Bench to be 18 INCHES deep.

---

**8.0 RAILING**

8.1 Railing Material:

8.1.1 Marine grade aluminum piping

---

8.2 Railing Dimensions and Shape:

8.2.1 Railing pipe outside diameter — 1 1/4 INCHES ~~X~~ 1 1/4 INCHES.

---

8.2.2 Railing pipe wall thickness — 1/8 INCH.

---

8.2.3 Railing Height

- a) Minimum railing height — 28 INCHES.
- b) Maximum railing height — 32 INCHES.

---

---

i) State proposed railing height.

---

8.3 All railings must adhere to existing canopy provided by the City of Winnipeg.. ( i.e. gate locations , railing height, etc.)

---

8.3.1 Deck Gates:

a) Gate Dimensions:

- i) Minimum gate width — 32 INCHES.
- ii) Maximum gate width — 36 INCHES
- iii) Gate to be hinged outward.
- iv) Gate width to suit existing canopy exits.

---

---

---

---



Template Version: G320040301

v ) Gate height to be the same as railing height.

---

b) Gate Locations

i ) Font side.

---

ii ) Left side.

---

iii ) Right side.

---

iv ) Gates to be located to suit existing canopy exits  
(canopy to be supplied by the City of Wpg.).

---

**9.0 SIDING**

9.1 Sides of boat to be fully enclosed with gap at top for hand grab.

---

9.2 Siding to come up to floor level.

---

9.3 Siding material:

9.3.1 Marine grade aluminum.

---

9.3.2 Siding thickness — Minimum of 1/16 INCH.  
State thickness.

---

**10.0 PLATFORM PONTOON BOAT EXTRAS:**

10.1 Navigational Lights, two front, one rear.

---

10.2 Polyurethane Console.

---

10.3 Minimum of 24 gallon fuel tank capacity.

---

10.3.1 State Capacity

---

10.4 Heavy duty anchor points in each corner.

---

**11.0 MOTOR**

11.1 Shall be provided and installed by The City of Winnipeg

---

11.1.1 Transom constructed to accept a Mercury 135hp Optimax

---

**12.0 TRAINING**

12.1 The Contractor shall be required to provide training (at the Contractor's expense) for the City of Winnipeg maintenance and operating personnel. The training shall be divided into two separate sessions, one for maintenance personnel and one for operating personnel.

The duration of the sessions shall be as long as required for adequate familiarization and orientation of the equipment to the satisfaction of the Contract Administrator. The training shall be conducted in Winnipeg at a time and location designated by the Contract Administrator.

Template Version: G320040301

Note: Pricing should be based on one (1) working day for maintenance personnel and one (1) working day for operating personnel.  
The first payment of the contract on the equipment will not be issued until successful completion of training has been conducted to the satisfaction of the Contract Administrator.

---

### 13.0 **PERFORMANCE RELIABILITY**

13.1 The responsibility for the design of the complete equipment, it's performance and reliability shall rest upon the Contractor.

---

13.2 The term "***repeated failures***" as used herein is defined to mean that the same component, subassembly, or assembly develops repeated defects, breakdowns and/or malfunctions rendering the equipment inoperative, or requiring repeated shop correction, service and/or replacement during the warranty period applicable for said component, subassembly, or assembly.

Ordinary service adjustments are not included, or considered under the scope of "repeated failures", as well as other factors, such as operational damage due to accidents, misuse or lack of proper maintenance, service and lubrication attention by not following the manufacturer's preventative maintenance schedule.

---

13.3 Where the equipment develops "repeated failures" in service, the Contractor shall make any necessary engineering changes, repairs, alterations or modifications in order to guarantee reliability of performance.

---

### 14.0 **WARRANTY**

14.1 The warranty requirements shall be a minimum of one (1) year parts and labour inclusive, "bumper to bumper" on the complete **platform pontoon boat**.

The warranty shall not include regular maintenance or any item deemed as a consumable that is subject to everyday wear and tear, during the regular operation of the unit.

---

14.2 The Contractor shall warrant the platform pontoon boat, and all parts thereof, against any defects of workmanship, construction and materials, and agrees to repair or replace, without cost to the City, any article that has become defective and not proven to have been caused by negligence on the part of the user within one (1) year, from the date the equipment is put into service by the City of Winnipeg.

---

14.3 The Contractor shall warrant all attachments, and all parts thereof, against any defects of workmanship, construction and materials, and agrees to repair or replace, without cost to the City, any article that has become defective and not proven to have been caused by negligence on the part of the user within one (1) year from the date the equipment is put into service by the City of Winnipeg.

---

14.4 The Contractor's Winnipeg dealer/representative or service facility, shall make available all replacement parts and have completed all warranty repairs on the platform pontoon boat within seven(7) business days.

---

**15.0 ITEM – 1A — PLATFROM PONTOON BOAT**

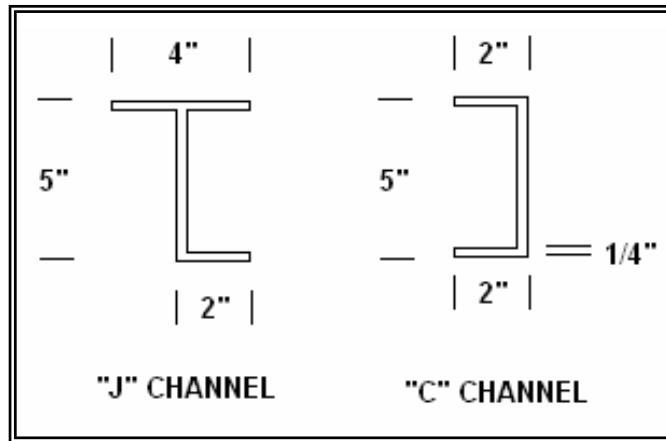
**16.0 ITEM – 1B — OPERATOR’S MANUALS — for ITEM – 1A**

- 16.1 The operator manuals shall be in English and shall be supplied with the equipment when delivered. \_\_\_\_\_
- 16.2 The operator manuals shall cover the complete boat including all related attachments. \_\_\_\_\_
- 16.3 Payment for the equipment to the Contractor shall be dependent upon receipt of the operator manual and not before. \_\_\_\_\_

**17.0 ITEM – 1C — PARTS , REPAIR and TECHNICAL SERVICE MANUALS \_— for ITEM – 1A**

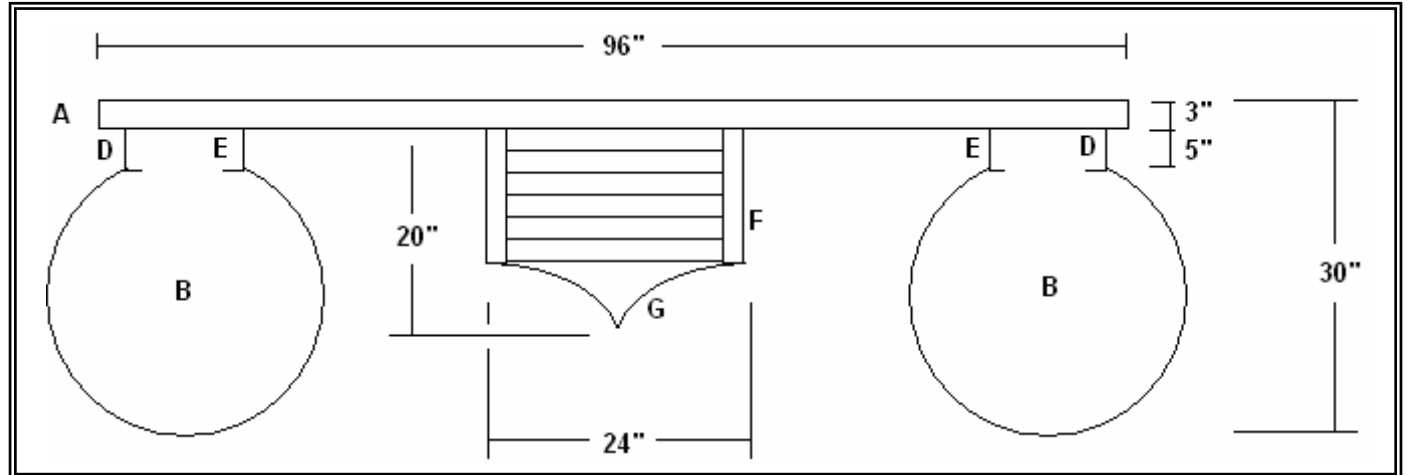
- 17.1 The parts repair and technical, service manuals / CD rom, shall be in English and shall be supplied with the equipment when delivered. \_\_\_\_\_
  - 17.1.1 State whether parts and service information is in text manual or CD rom format. \_\_\_\_\_
- 17.2 The parts repair and technical, service manuals / CD rom shall cover the complete machine including all related attachments. \_\_\_\_\_
- 17.3 Payment for the equipment to the Contractor shall be dependent upon receipt of the parts repair and technical service manuals or CD rom and not before. \_\_\_\_\_

**APPENDIX A: — PONTOON CHANNELS**



**APPENDIX B: PONTOONS**

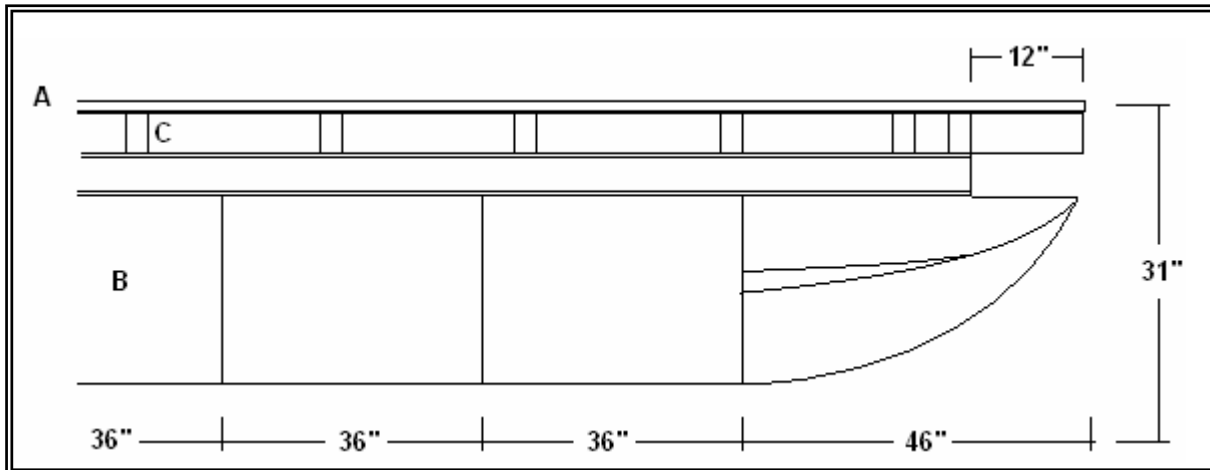
**REAR VIEW**



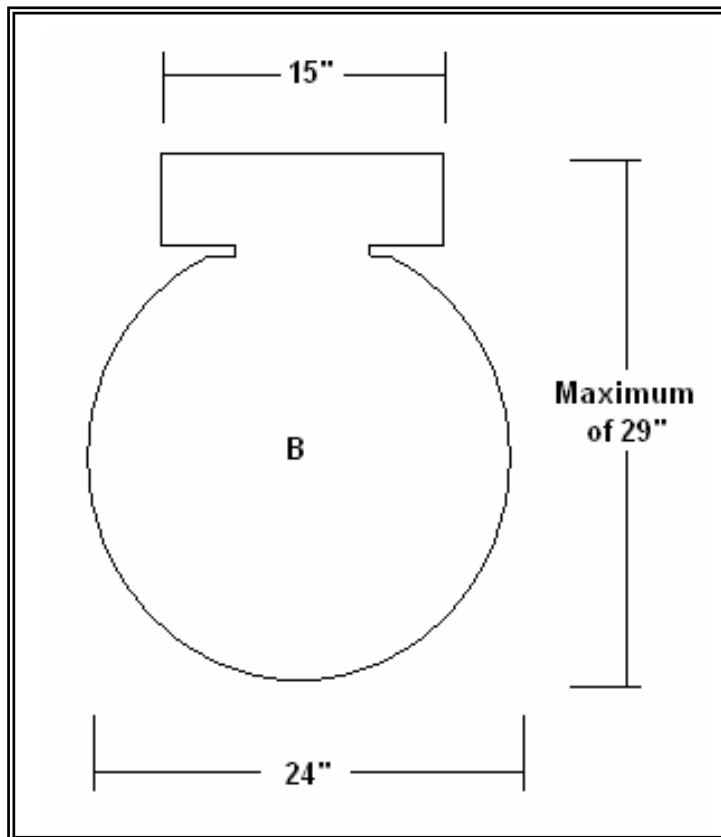
- A** — DECK
- B** — Pontoons – 25 INCH diameter
- C** — 3 INCH X 2 INCH tubing on 2 foot centers
- D** — 6061 T6 Aluminum — 5 INCH X 2 INCH "J" Channel
- E** — 6061 T6 Aluminum — 5 INCH X 2 INCH "J" or "C" Channel
- F** — Transom — Adjustable
- G** — Polyethylene Deflector

Template Version: G320040301

**SIDE VIEW**



**CROSS SECTION**



**FORM O: — ITEMS 1A , 1B and 1C — QUESTIONNAIRE**

**PLATFORM PONTOON BOAT**

**Spec 06 – 019**

**1.0** **LIST** any significant features that will be supplied standard on the unit being offered, but were not specifically mentioned in the Detailed Specifications:

---

---

---

---

**2.0** **LIST** three current users of the offered model:

---

---

---

**3.0** Does the equipment being offered meet or exceed the minimum requirements of the Detailed Specifications?

---

---

**4.0** **LIST** any deviations that might be considered less than equal to the Detailed Specifications:

---

---

---