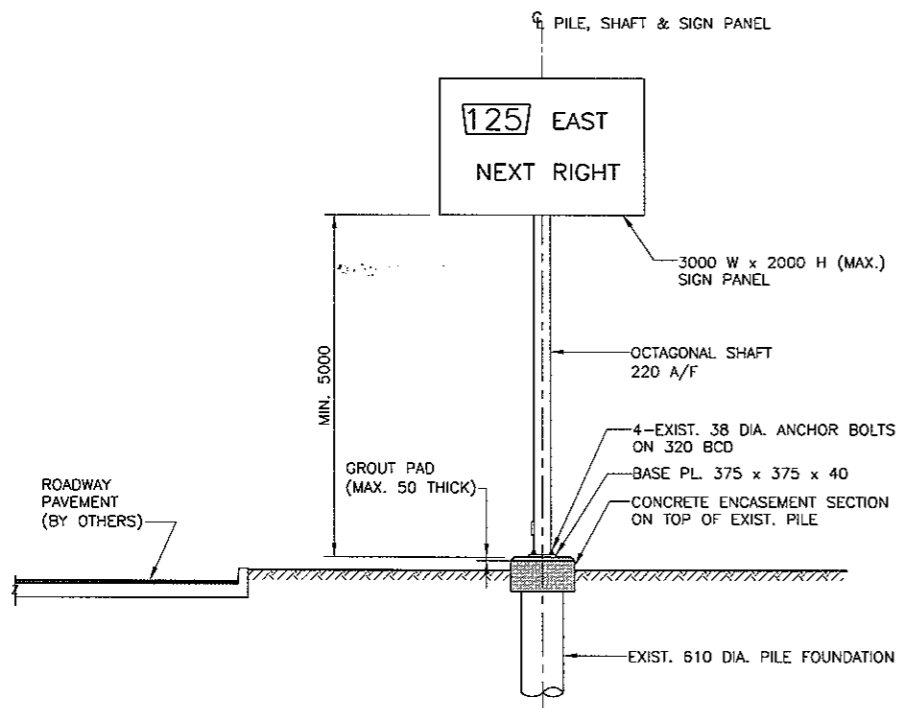
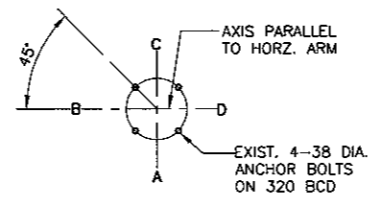


**NOTE:**  
RESTORE EXIST. GROUND WITH BACKFILL & SODDING  
AT LOCATION OF ABANDONED PILES & SALVAGED  
BARRIER POSTS.

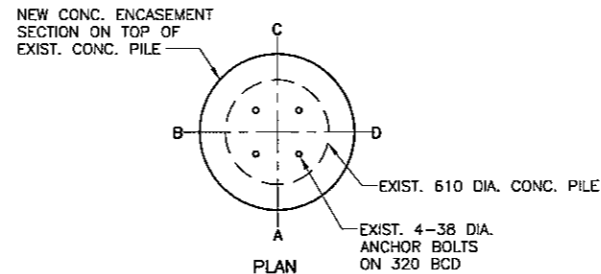
**SITE PLAN**



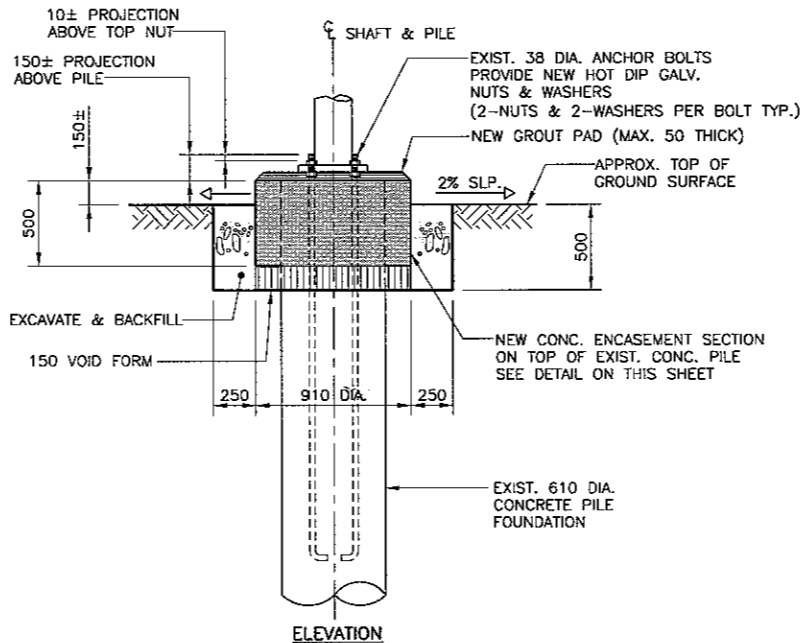
**SITE ELEVATION-LOOKING SOUTH**  
1: 50 OVERHEAD SIGN STRUCTURE NO. S739



**ANCHOR BOLTS LAYOUT**



**PLAN**

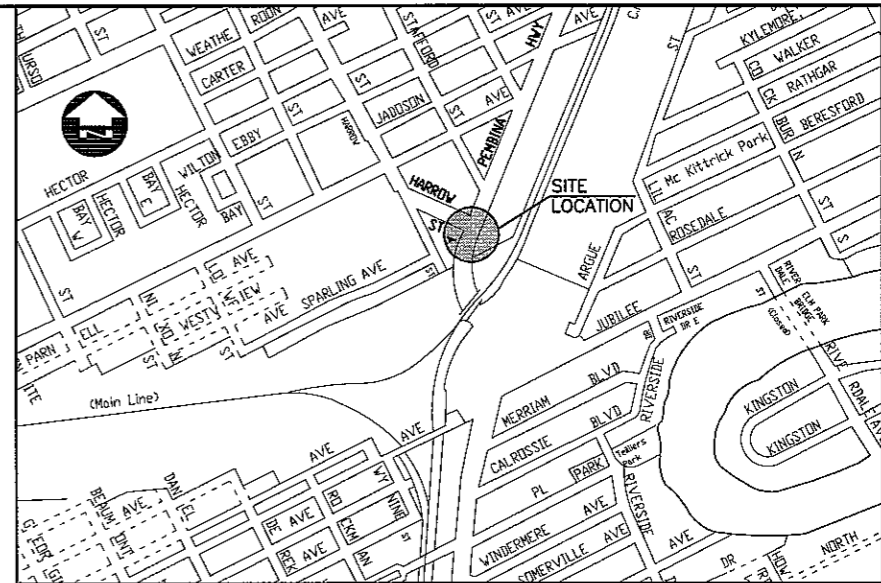


**ELEVATION**

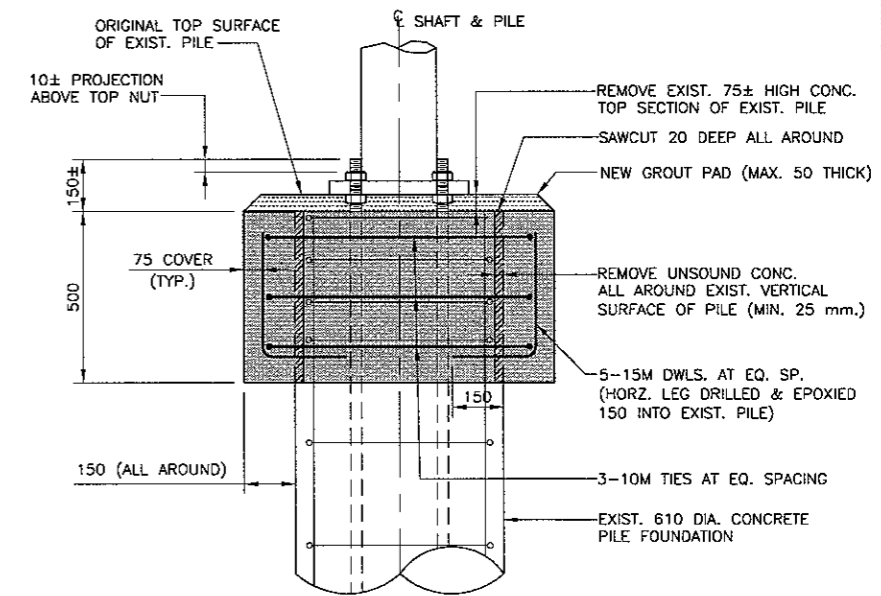
**CONCRETE PILE FOUNDATION FOR S739**  
1:20

**PILE FOUNDATION MODIFICATION NOTES:**

- CLEAN EXPOSED CONCRETE SURFACE AFTER CONCRETE REMOVALS, INCLUDING EXISTING ANCHOR BOLTS, BY SANDBLASTING.
- ALL NEW REINFORCING STEEL CSA G30.12 GR. 400, HOT DIP GALVANIZED
- COAT EXIST. ANCHOR BOLTS WITH FIELD-APPLIED GALVANIZING MATERIAL AND RESTORE THREADS TO ACCOMMODATE NEW HOT DIP GALVANIZED NUTS.
- CONCRETE MIX DESIGN**  
PROPORTIONING OF FINE AGGREGATE, COARSE AGGREGATE, CEMENT, WATER, AND AIR ENTRAINING AGENT SHALL BE SUCH AS YIELD CONCRETE HAVING THE REQUIRED STRENGTH AND WORKABILITY AS FOLLOWS:  
i) MINIMUM COMPRESSIVE STRENGTH AT 28 DAYS = 35 MPa  
ii) MAXIMUM WATER/CEMENT RATIO = 0.45  
iii) MINIMUM CEMENT CONTENT = 340 kg/m<sup>3</sup>  
iv) SLUMP = 80 mm ± 30 mm  
v) AGGREGATE: 20 mm NOMINAL  
vi) AIR CONTENT: 5.0 TO 8.0 PERCENT  
vii) CEMENT - TYPE 10.
- APPLY CONCRETE CURE & PROTECTION SYSTEM ON VERTICAL SURFACES OF PILE AND GROUT PAD.



**LOCATION PLAN**



**SHOWING REINFORCEMENT**

**NEW CONCRETE ENCASUREMENT DETAIL**  
1: 10

DESIGNED BY: S.S.R. DRAWN BY: N.B.G. CHECKED BY: S.S.R. APPROVED BY: <i>[Signature]</i> SCALE: HORZ. AS SHOWN VERT. DATE: MAY 2006			<b>THE CITY OF WINNIPEG</b> <b>PUBLIC WORKS DEPARTMENT</b>
AUTHORIZED BY: <i>[Signature]</i> DATE: 5/12/06 NO. REVISIONS: 1 DATE: 5/12/06	CONSULTANT PROJECT NO. 06-6011-1000	<b>OVERHEAD SIGN SUPPORT STRUCTURE MAINTENANCE WORKS 2006 PROGRAM</b>	CITY DRAWING NUMBER OHSS-06-06 SHEET 6 OF 7
		S739 PEMBINA HIGHWAY S/B SOUTH OF HARROW ST.	