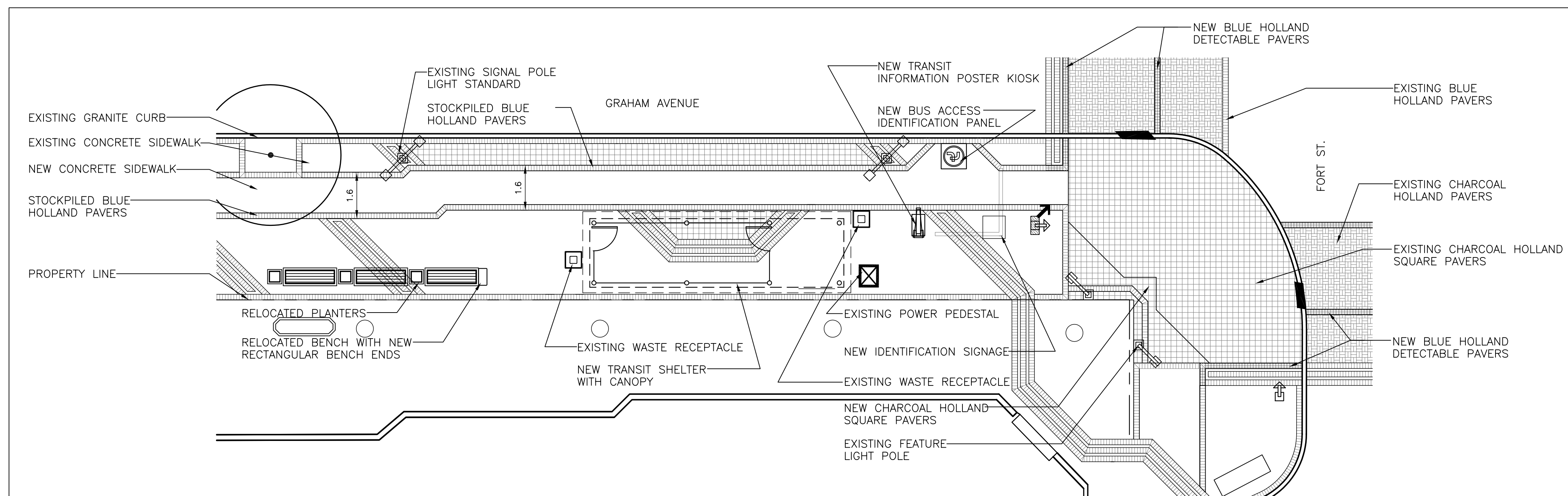


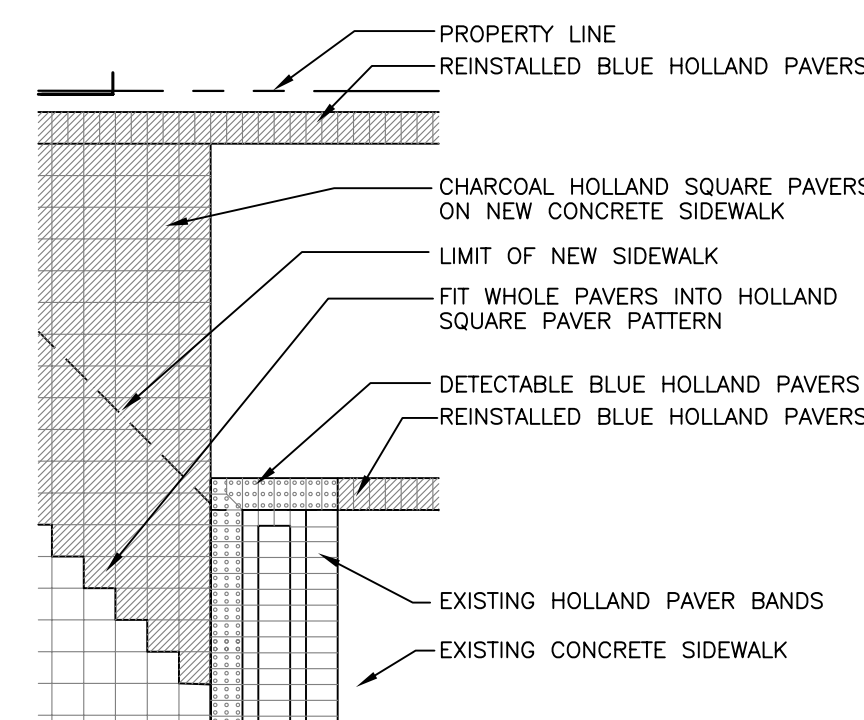
ENLARGEMENT 1 - NE CORNER OF VAUGHAN ST. AND GRAHAM AVE - REFER TO L1.05

SCALE 1:100



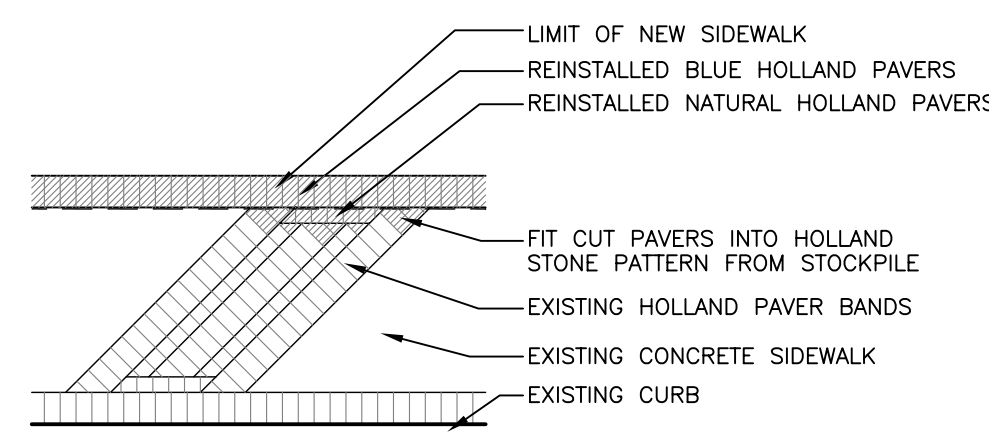
ENLARGEMENT 2 - SW CORNER OF FORT ST. AND GRAHAM AVE - REFER TO L1.12

SCALE 1:100



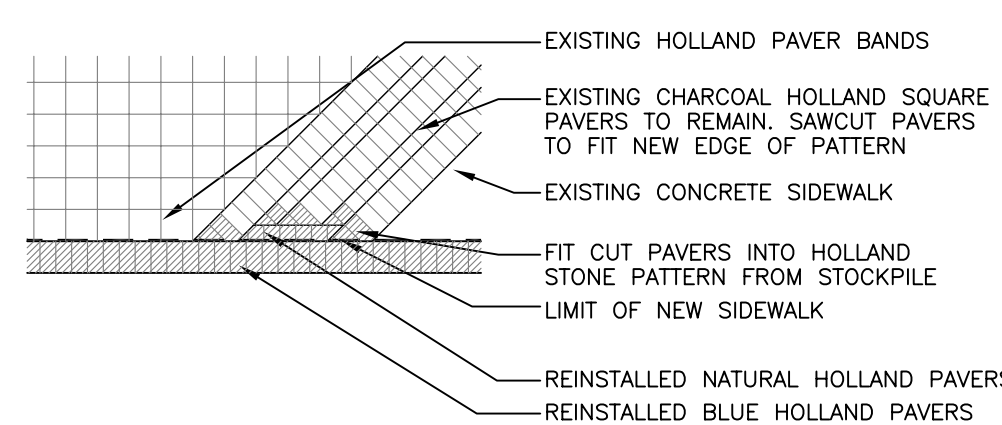
ENLARGEMENT 3

SCALE 1:50



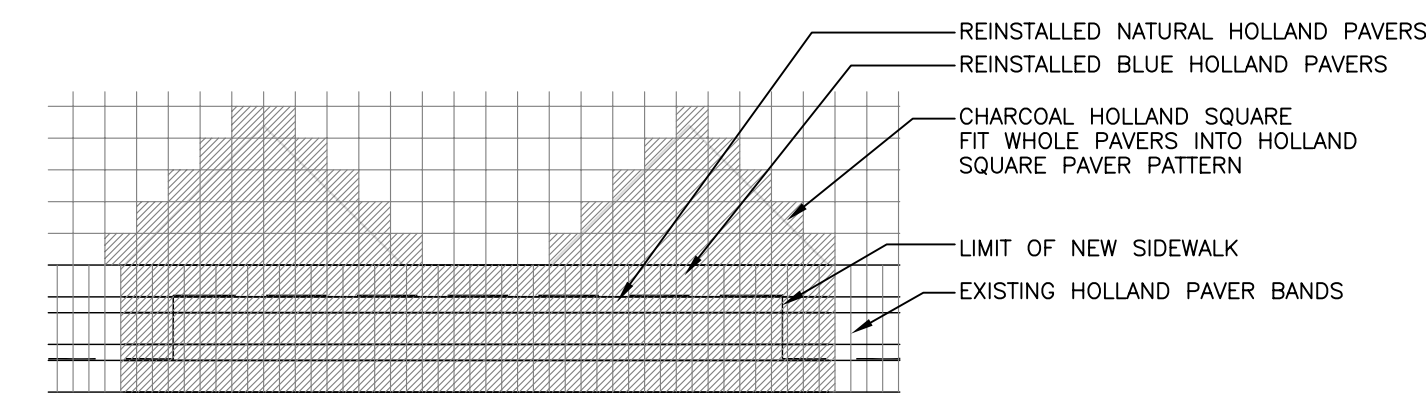
ENLARGEMENT 4

SCALE 1:50



ENLARGEMENT 5

SCALE 1:50



ENLARGEMENT 6

SCALE 1:50

No.	Revisions	Date	By
07-04-06	AS NOTED		
SR	PR		SR



Client
WINNIPEG TRANSIT
Project Title

TRANSIT IMPROVEMENT PROJECTS

ENLARGEMENT PLANS

Project No. 06-017 Drawing No. L2.01