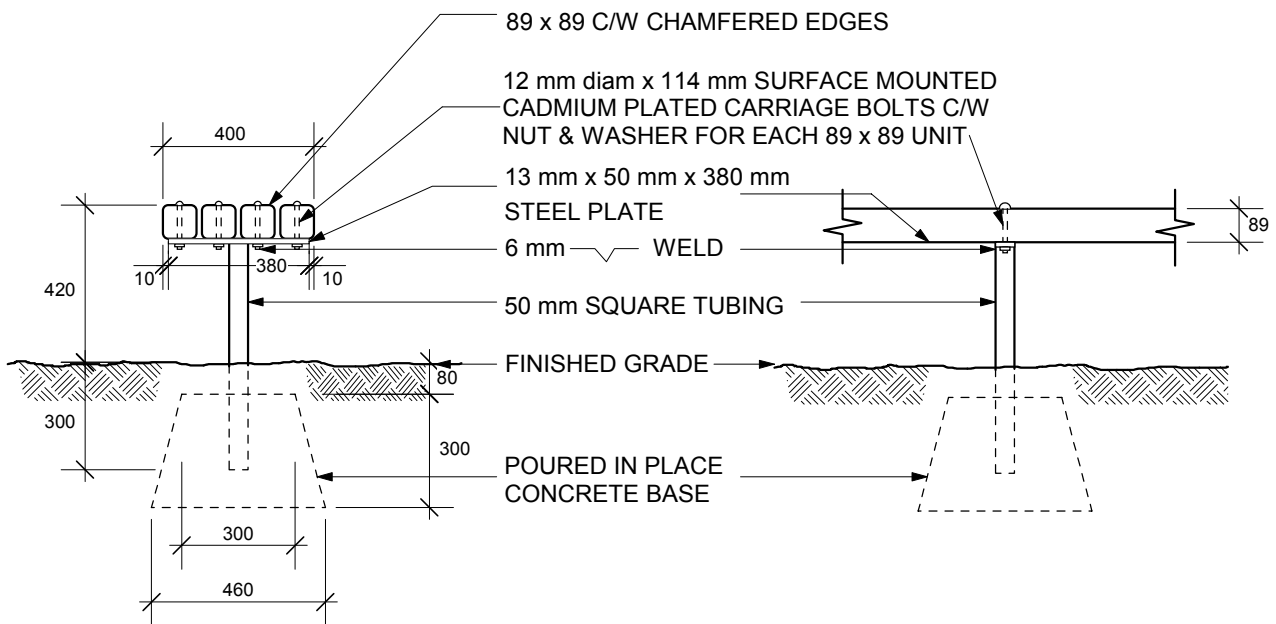
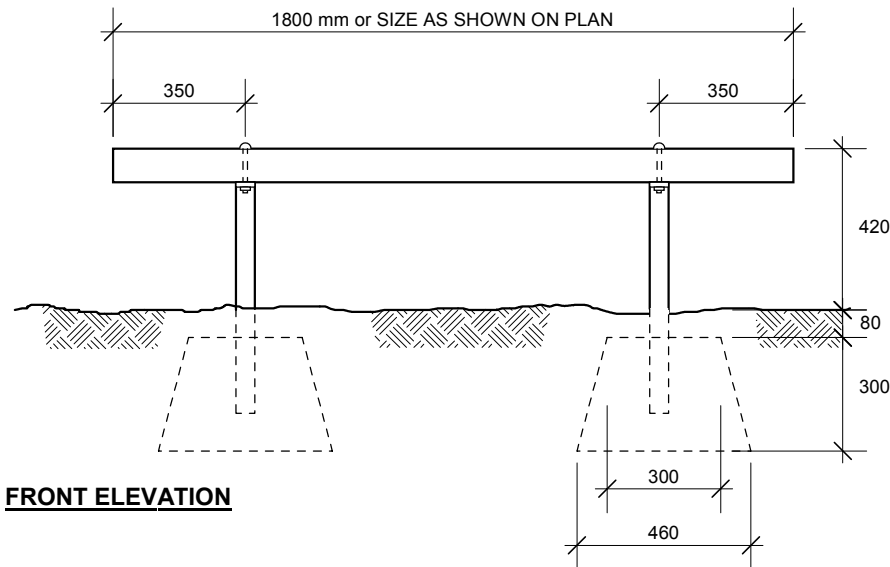


TITLE

# TACHE BACKLESS BENCH

SCD-121



**MATERIALS:**

WOOD - VERTICAL GRAIN CLEAR SITKA SPRUCE OR B.C. RED CEDAR.

FINISH - SIKKENS CETOL 1 no. 078 NATURAL

METAL - PRIME WITH RUSTOLEUM No. 769. FINISH WITH SAPOLIN BLACK WROUGHT FINISH.

**NOTE:**

ALL DIMENSIONS SHOWN ARE IN MILLIMETERS.

DRAWN ST  
DATE JUNE/03  
NOT TO SCALE

THE CITY OF WINNIPEG  
Planning, Property and Development Department  
Planning and Land Use Division  
Unit 15 - 10 Fort Street, Winnipeg, MB, R3C 4X5

